

LNC8MC36B

LNT8MC36X

EN User Manual | **Fridge Freezer**

2

IS Notendaleiðbeiningar | **Ískápur-Frystir**

27



Welcome to Electrolux! Thank you for choosing our appliance.



Get usage advice, brochures, trouble shooter, service and repair information:
www.electrolux.com/support

Subject to change without notice.

CONTENTS

1. SAFETY INFORMATION.....	2
2. SAFETY INSTRUCTIONS.....	4
3. INSTALLATION.....	6
4. OPERATION.....	9
5. WI-FI CONNECTIVITY SETUP.....	11
6. DAILY USE.....	12
7. HINTS AND TIPS.....	18
8. CARE AND CLEANING.....	20
9. TROUBLESHOOTING.....	23
10. NOISES.....	25
11. TECHNICAL DATA.....	26
12. INFORMATION FOR TEST INSTITUTES.....	26
13. ENVIRONMENTAL CONCERNS.....	26

1. ⚠ SAFETY INFORMATION

Before the installation and use of the appliance, carefully read the supplied instructions. The manufacturer is not responsible for any injuries or damage that are the result of incorrect installation or usage. Always keep the instructions in a safe and accessible location for future reference.

1.1 Children and vulnerable people safety

- This appliance can be used by children aged from 8 years and above and persons with reduced physical, sensory or mental capabilities or lack of experience and knowledge if they have been given supervision or instruction concerning the use of the appliance in a safe way and understand the hazards involved. Children aged from 3 to 8 years and persons with very extensive and complex disabilities are allowed to load and unload the appliance provided that they have been properly instructed. Children of less than 3 years

of age should be kept away from the appliance unless continuously supervised.

- Children should be supervised to ensure that they do not play with the appliance and mobile devices with the app.
- Children shall not carry out cleaning and user maintenance of the appliance without supervision.
- Keep all packaging away from children and dispose of it appropriately.

1.2 General Safety

- This appliance is for storing food and beverages only.
- This appliance is designed for single household domestic use in an indoor environment.
- This appliance may be used in, offices, hotel guest rooms, bed & breakfast guest rooms, farm guest houses and other similar accommodation where such use does not exceed (average) domestic usage levels.
- To avoid contamination of food respect the following instructions:
 - do not open the door for long periods;
 - clean regularly surfaces that can come in contact with food and accessible drainage systems;
 - store raw meat and fish in suitable containers in the refrigerator, so that it is not in contact with or drip onto other food.
- **WARNING:** Keep ventilation openings, in the appliance enclosure or in the built-in structure, clear of obstruction.
- **WARNING:** Do not use mechanical devices or other means to accelerate the defrosting process, other than those recommended by the manufacturer.
- **WARNING:** Do not damage the refrigerant circuit.
- **WARNING:** Do not use electrical appliances inside the food storage compartments of the appliance, unless they are of the type recommended by the manufacturer.
- Do not use water spray and steam to clean the appliance.

- Clean the appliance with a moist soft cloth. Only use neutral detergents. Do not use abrasive products, abrasive cleaning pads, solvents or metal objects.
- When the appliance is empty for long period, switch it off, defrost, clean, dry and leave the door open to prevent mould from developing within the appliance.
- Do not store explosive substances such as aerosol cans with a flammable propellant in this appliance.
- If the supply cord is damaged, it must be replaced by the manufacturer, its Authorised Service Centre or similarly qualified persons in order to avoid a hazard.

2. SAFETY INSTRUCTIONS

2.1 Installation

WARNING!

Only a qualified person must install this appliance.

- Remove all the packaging.
- Do not install or use a damaged appliance.
- Follow the installation instructions supplied with the appliance.
- Always take care when moving the appliance as it is heavy. Always use safety gloves and enclosed footwear.
- Make sure the air can circulate around the appliance.
- At first installation or after reversing the door wait at least 4 hours before connecting the appliance to the power supply. This is to allow the oil to flow back in the compressor.
- Before carrying out any operations on the appliance (e.g. reversing the door), remove the plug from the power socket.
- Do not install the appliance close to radiators or cookers, ovens, or hobs, unless otherwise specified in the installation instructions.
- Do not expose the appliance to the rain.
- Do not install the appliance where there is direct sunlight.
- Do not install this appliance in areas that are too humid or too cold.

- When you move the appliance, lift it by the front edge to avoid scratching the floor.

2.2 Electrical connection

WARNING!

Risk of fire and electric shock.

WARNING!

When positioning the appliance, ensure the supply cord is not trapped or damaged.

WARNING!

Do not use multi-plug adapters and extension cables.

- The appliance must be earthed.
- Make sure that the parameters on the rating plate are compatible with the electrical ratings of the mains power supply.
- Always use a correctly installed shockproof socket.
- Make sure not to cause damage to the electrical components (e.g. mains plug, mains cable, compressor). Contact the Authorised Service Centre or an electrician to change the electrical components.
- The mains cable must stay below the level of the mains plug.

- Connect the mains plug to the mains socket only at the end of the installation. Make sure that there is access to the mains plug after the installation.
- Do not pull the mains cable to disconnect the appliance. Always pull the mains plug.

2.3 Use

WARNING!

Risk of injury, burns, electric shock or fire.



The appliance contains flammable gas, isobutane (R600a), a natural gas with a high level of environmental compatibility. Be careful not to cause damage to the refrigerant circuit containing isobutane.

- Do not change the specification of this appliance.
- Do not put electrical appliances (e.g. ice cream makers) in the appliance unless they are stated applicable by the manufacturer.
- If damage occurs to the refrigerant circuit, make sure that there are no flames and sources of ignition in the room. Ventilate the room.
- Do not let hot items to touch the plastic parts of the appliance.
- Do not put soft drinks in the freezer compartment. This will create pressure on the drink container.
- Do not store flammable gas and liquid in the appliance.
- Do not put flammable products or items that are wet with flammable products in, near or on the appliance.
- Do not touch the compressor or the condenser. They are hot.
- Do not share your Wi-Fi password.
- Do not remove or touch items from the freezer compartment if your hands are wet or damp.
- Do not freeze again food that has been thawed.
- Follow the storage instructions on the packaging of frozen food.
- Wrap the food in any food contact material before putting it in the freezer compartment.

- Do not allow food to come in contact with the inner walls of the appliance compartments.

2.4 Internal lighting

WARNING!

Risk of electric shock.

- This product contains one or more light sources of energy efficiency class F.
- Concerning the lamp(s) inside this product and spare part lamps sold separately: These lamps are intended to withstand extreme physical conditions in household appliances, such as temperature, vibration, humidity, or are intended to signal information about the operational status of the appliance. They are not intended to be used in other applications and are not suitable for household room illumination.

2.5 Care and cleaning

WARNING!

Risk of injury or damage to the appliance.

- Before maintenance, deactivate the appliance and disconnect the mains plug from the mains socket.
- This appliance contains hydrocarbons in the cooling unit. Only a qualified person must do the maintenance and the recharging of the unit.
- Regularly examine the drain of the appliance and if necessary, clean it. If the drain is blocked, defrosted water collects in the bottom of the appliance.

2.6 Service

- To repair the appliance contact the Authorised Service Centre. Use original spare parts only.
- Please note that self-repair or non-professional repair can have safety consequences and might void the guarantee.
- The following spare parts are available for at least 7 years after the model has been discontinued: thermostats, temperature sensors, printed circuit boards, light

sources, door handles, door hinges, trays and baskets. Door gaskets are available for at least 10 years after the model has been discontinued. The duration may be longer in your country. For further information, please visit our website.

- Please note that some of these spare parts are only available to professional repairers, and that not all spare parts are relevant for all models.

2.7 Disposal

⚠ WARNING!

Risk of injury or suffocation.

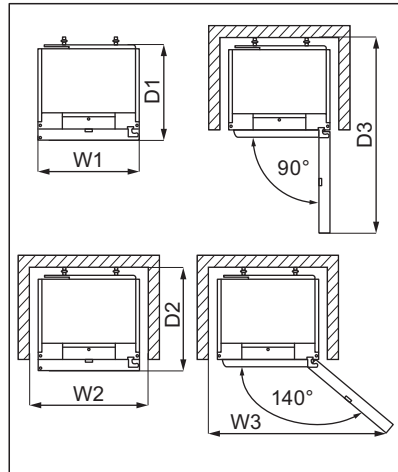
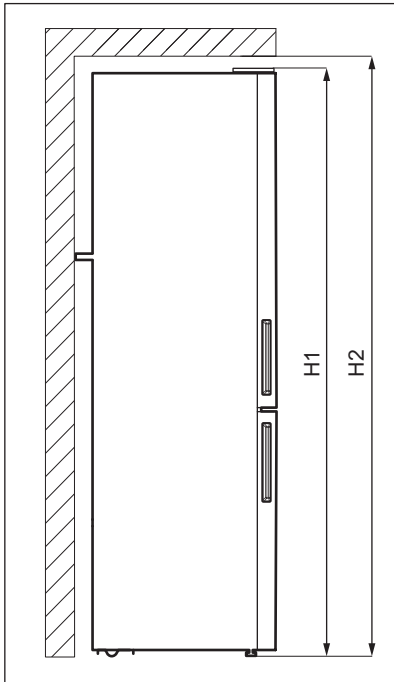
- Disconnect the appliance from the mains supply.
- Cut off the mains cable and discard it.
- Remove the door to prevent children and pets to be closed inside of the appliance.
- The refrigerant circuit and the insulation materials of this appliance are ozone-friendly.
- The insulation foam contains flammable gas. Contact your municipal authority for information on how to discard the appliance correctly.
- Do not cause damage to the part of the cooling unit that is near the heat exchanger.

3. INSTALLATION

⚠ WARNING!

Refer to Safety chapters.

3.1 Dimensions



Overall dimensions ¹		
H1	mm	2020
W1	mm	595
D1	mm	639

¹ the height, width and depth of the appliance without the handle

Space required in use ²		
H2	mm	2050
W2	mm	600
D2	mm	700

² the height, width and depth of the appliance including the handle, plus the space necessary for free circulation of the cooling air

Overall space required in use ³		
H2	mm	2050
W3	mm	1031
D3	mm	1256

³ the height, width and depth of the appliance including the handle, plus the space necessary for free circulation of the cooling air, plus the space necessary to allow door opening to the minimum angle permitting removal of all internal equipment

3.2 Location

This appliance is not intended to be used as a built-in appliance.

In case of different installation from freestanding respecting space required in use dimensions, the appliance will function correctly but energy consumption might increase slightly.

To ensure appliance's best functionality, you should not install the appliance in the place with direct sunlight. Do not install the appliance close to the heat source (oven, stoves, radiators, cookers, hoods, hobs or extractor hobs) unless otherwise specified in the installation instruction. Make sure that air

can circulate freely around the back of the cabinet.

This appliance should be installed in a dry, well ventilated indoor position.

To ensure best performance, if the appliance is positioned below an overhanging wall unit, the minimum distance between the top of the cabinet shall be maintained. Ideally, however, the appliance should not be positioned below overhanging wall units. One or more adjustable feet at the base of the cabinet ensure that the appliance stands level.

CAUTION!

If you position the appliance against the wall, use back spacers provided or keep the minimum distance indicated in the installation instructions.

CAUTION!

If you install the appliance next to a wall, refer to the installation instructions to understand the minimum distance between the wall and the side of the appliance where door hinges are to provide enough space to open the door when the internal equipment is removed (e.g. when cleaning).

This appliance is intended to be used at ambient temperature ranging from 10°C to 43°C.

i

The correct operation of the appliance can only be guaranteed within the specified temperature range.

i

If you have any doubts regarding where to install the appliance, please turn to the vendor, to our customer service or to the nearest Authorised Service Centre.

i

It must be possible to disconnect the appliance from the mains power supply. The plug must therefore be easily accessible after installation.

3.3 Electrical connection

- Before plugging in, ensure that the voltage and frequency shown on the rating plate correspond to your domestic power supply.
- The appliance must be earthed. The power supply cable plug is provided with a contact for this purpose. If the domestic power supply socket is not earthed, connect the appliance to a separate earth in compliance with current regulations, consulting a qualified electrician.
- The manufacturer declines all responsibility if the above safety precautions are not observed.

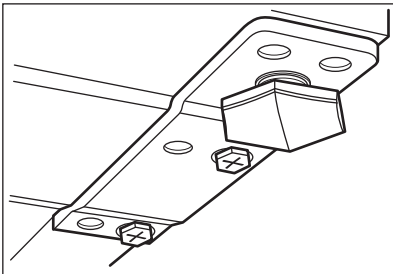
3.4 Levelling



Door alignment depends on proper levelling.

It is advisable to empty the appliance before carrying out this operation.

When placing the appliance ensure that it stands level. This can be achieved by two adjustable feet at the bottom in front.



3.5 Rear spacers



Please refer to the separate document with instructions on installation and door reversal.

CAUTION!

If you position the appliance against the wall in a freestanding installation, install the rear spacers in order to guarantee the minimum distance required for air circulation. Use the provided rear spacers as indicated in the Installation Instruction.

3.6 Door reversibility

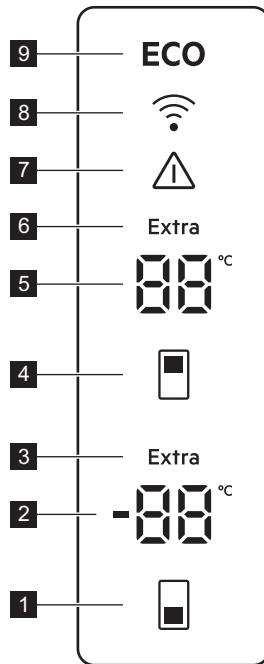
Please refer to the separate document with instructions on installation and door reversal.

CAUTION!

At every stage of reversing the door protect the floor from scratching with a durable material.

4. OPERATION

4.1 Control panel



- 1 Freezer temperature button
- 2 Freezer compartment indicator
- 3 Extra Freeze indicator
- 4 Fridge temperature button
- 5 Fridge compartment indicator
- 6 Extra Cool indicator
- 7 Alarm indicator
- 8 Connectivity indicator
- 9 ECOMETER indicator

4.2 Switching on

1. Connect the mains plug to the power socket.
2. Press and hold the Freezer temperature and Fridge temperature buttons for 10 seconds.

The display shows blinking indication.

4.3 Switching off

1. Press and hold the Freezer temperature and Fridge temperature buttons for 10 seconds.

The display shows blinking indicator.

2. The appliance is switched off and a steady indication substitutes the fridge temperature. Disconnect the mains plug from the power socket.

4.4 Temperature regulation

Set the temperature of the appliance by pressing the temperature buttons. Recommended set temperatures are:

- +4°C for the fridge

- -18°C for the freezer

The temperature range may vary between -15 and -24°C for freezer and between 2 and 8°C for fridge.



The temperature indicators show the set temperature. The set temperature will be reached within 24 hours. After a power failure the set temperature remains stored.



ECO indicator LED light is on when the recommended temperature or level is set.



Switch off the Extra Freeze function before setting a different freezer temperature level.

4.5 ECO function

The ECO function ensures minimum energy consumption with the optimal temperature for food preservation.

During this mode:

- The set temperature of the fridge compartment is 4°C.
- The set temperature of the freezer compartment is -18°C.

To deactivate the ECO function:

- set a different temperature. Refer to "Temperature regulation".
- activate the Extra Cool and Extra Freeze functions.

4.6 Extra Cool function

If you need to insert a large amount of food at ambient temperature in the fridge compartment, for example after grocery shopping, activate the Extra Cool function. This function accelerates cooling and prevents the stored food from warming up.

To activate the function, press and hold the Fridge temperature button until the Extra Cool indicator lights up.

The function stops automatically after approximately 6 hours.

To deactivate the Extra Cool function before its automatic end, press and hold the Fridge temperature button until the Extra Cool indicator turns off.

To set a different fridge temperature, turn off the Extra Cool function. Refer to "Temperature regulation" section.

4.7 Extra Freeze function

The Extra Freeze function performs pre-freezing and fast freezing in sequence in the freezer compartment. This function accelerates the freezing of fresh food and protects the food already stored from warming up.



To freeze fresh food activate the Extra Freeze function at least 4 hours before placing the food to complete pre-freezing.

To activate the Extra Freeze function, press and hold the Freezer temperature button until Extra Freeze indicator lights up.

This function stops automatically after 24 hours.

To deactivate the Extra Freeze function before its automatic end, press and hold the Freezer temperature button until Extra Freeze indicator turns off.

4.8 Door open alarm

If the fridge or the freezer door is left open for approximately 5 minutes the alarm activates.

During the alarm:

- the sound is on,
- temperature indicators flash,
- the alarm indicator flashes.

The internal fridge light may be flashing.

The alarm stops after closing the door.

You can switch off the alarm by pressing any button.



The sound switches off automatically after 1 hour.

4.9 High temperature alarm



The alarm activates when you plug the appliance for the first time.

Freezer compartment

The alarm activates when the freezer compartment temperature is too high.

During the alarm:

- the display shows blinking **E09**,
- the alarm indicator flashes,
- the alarm sound is on.

Turning off the alarm

- Press any button on the control panel to turn off the alarm. The alarm indicator and sound turn off. The display shows **E09** for 5 seconds and then the current freezer temperature is displayed.
- The alarm sound turns off automatically after 1 hour. If the temperature is still too high, the alarm activates again.
- Once the temperature is back to the set value, the alarm turns off and the normal display restores.

4.10 Air filter change indicator

Replace the air filter every 6 months to ensure the best functionality.

Refer to "Installing and replacing the CleanAir + filter" section in "Care and cleaning" chapter for the replacement instructions.

4.11 Rest mode

The Rest mode ensures optimal food preservation while minimizing energy consumption during periods of non-operation.

To enable the Rest mode, press and hold freezer temperature button for 5 seconds.

The display shows:

- on the Freezer temperature indicator,
- on the Fridge temperature indicator.

Tap Freezer temperature button to switch the Rest mode on or off. The Freezer

temperature indicator changes to for the enabled or for the disabled Rest mode.

The Rest mode activates after 3 days without any interaction with the appliance. The Rest mode deactivates automatically after any interaction with the appliance.

5. WI-FI CONNECTIVITY SETUP

5.1 Wi-Fi connectivity setup

You can connect your appliance to the home wireless network and then link it to your mobile device. This functionality allows you to remotely control and monitor your appliance using a mobile application.

To connect the appliance you need:

- Wireless network with the Internet connection,
- Mobile device connected to your wireless network.

Frequency/Protocol	Wi-Fi: 2.4 GHz / 802.11 bgn
--------------------	-----------------------------

Power	Wi-Fi 2.4 GHz: <20 dBm
Encryption	WPA-PSK, WPA2-PSK, WPA3-Personal

Installing the mobile application

Take the following steps to connect the appliance to Wi-Fi:

1. Make sure that the appliance is plugged into a power socket and turned on.
2. Make sure that your mobile device is connected to the same wireless network you want to add your appliance to.
3. Download the app by scanning the QR code located on the back cover of the

user manual. You can also download the app directly from the app store.

4. Open the app and register to create an account.

Configuring the appliance wireless connection

Follow the instructions in the app to complete the onboarding process:

1. Press and hold the Fridge and Freezer temperature buttons on your appliance for 3 seconds.
2. The Connectivity indicator starts blinking and **FP** appears on Fridge temperature indicator.
3. Continue to follow the instructions in the app to complete the onboarding process.
4. The Connectivity indicator starts blinking faster during establishing a connection.

After the successful onboarding, the Connectivity indicator stops flashing and becomes solid. If the connection failed, the Connectivity indicator is off.



Press and hold the Fridge and Freezer temperature buttons on your appliance for 3 seconds to abort the connection.

Disabling the appliance wireless connection

You can temporarily disable the Wi-Fi connection. Press and hold the Fridge and

Freezer temperature buttons for 3 seconds. The Connectivity indicator switches off.

Once the Wi-Fi connection is disabled, to re-establish the connection press and hold the Fridge and Freezer temperature buttons for 3 seconds. The Connectivity indicator switches on.



The Connectivity indicator blinks during establishing a connection.

Resetting the appliance wireless connection

Take the following steps to reset the Wi-Fi connection:

1. Check if Connectivity function is switched on.
2. Press and hold the Fridge and Freezer temperature buttons on your appliance for 7 seconds. The appliance beeps two times.
3. The Connectivity indicator starts blinking and **FP** appears on Fridge temperature indicator.

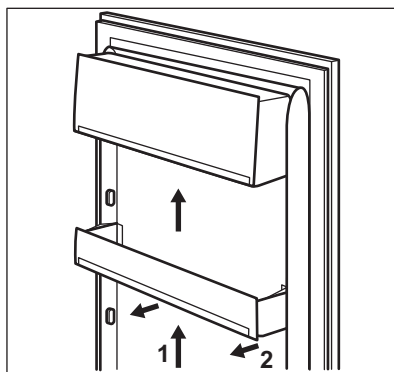
To re-establish the connection, repeat the steps described in "Configuring the appliance wireless connection" section.

6. DAILY USE

6.1 Positioning the door shelves

To permit storage of food packages of various sizes, the door shelves can be placed at different heights.

1. Gradually pull the shelf up until it comes free.
2. Reposition as required.



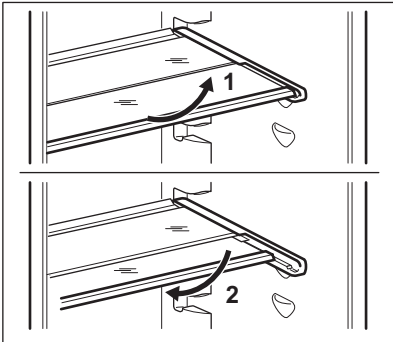
6.2 Movable shelves

The walls of the refrigerator are equipped with a series of runners so that the shelves can be positioned as desired.

This appliance is also equipped with a shelf consisting of two parts. The front half of the shelf can be placed under the second half to make better use of space.

To fold the shelf:

1. Take out the front half gently.
2. Slide it into the lower rail and under the second half.



Do not move the glass shelf above the vegetable drawer to ensure correct air circulation.

6.3 GreenZone drawer

There is a pull-out drawer in the bottom part of the refrigerator compartment.

The glass shelf of the GreenZone is fitted with a device that regulates its sealing and provides for optimal humidity inside the drawer.

6.4 Removing GreenZone

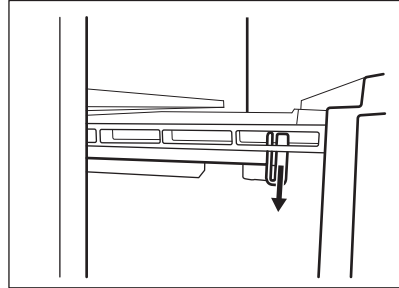


It is recommended to empty the drawer before removing it from the refrigerator.

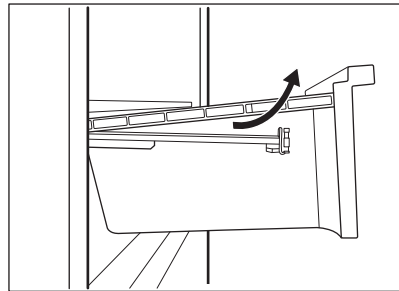
To remove the drawer:

1. Pull out the drawer from the refrigerator extending the rails fully.

2. Push the rails cap and lift up the front of the drawer.

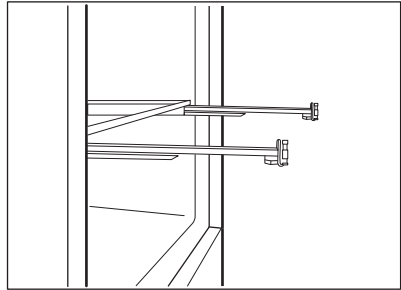


3. Pull the drawer out while lifting it up and detach it from the rails.

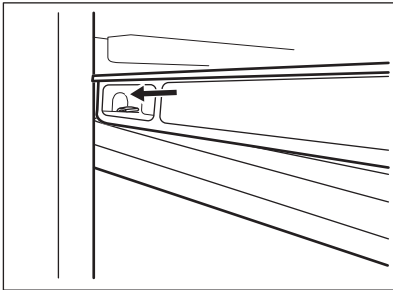
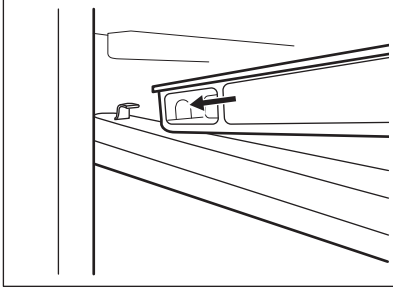


To reassemble:

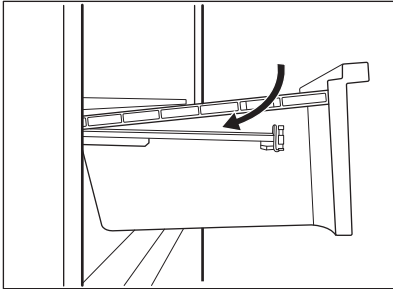
1. Pull out the rails completely.



- Place the rear part of the drawer on the rails.



- Keep the front of the drawer lifted up while pushing the drawer in.



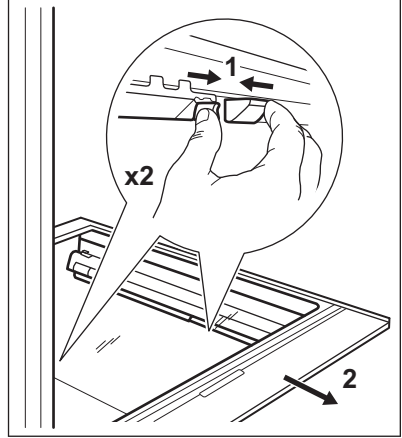
- Press the front part of the drawer downwards.



Pull out the drawer again and check if it is placed correctly on both rear and front hooks.

To remove the glass cover of the GreenZone drawer:

- Unlock lateral gripping from both sides simultaneously.



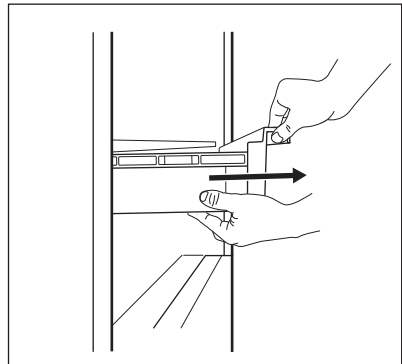
- Pull the glass shelf support towards yourself.

6.5 Removing ExtraChill

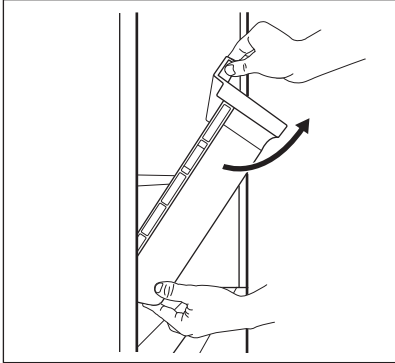
There is a drawer above the GreenZone drawer.

To remove the drawer:

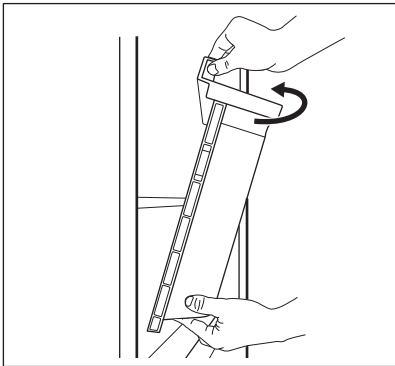
- Pull out the drawer from the refrigerator.



2. Lift up the front of the drawer.



3. Lift and turn the drawer to pull it out of the appliance.



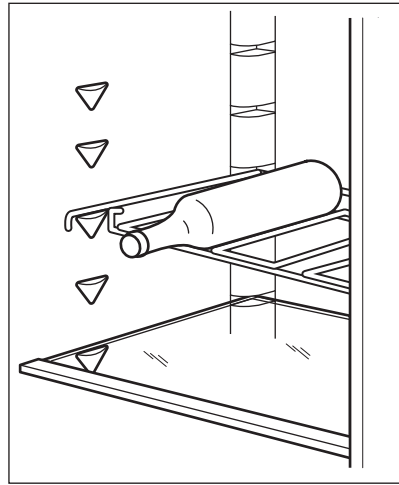
The shelf above the drawer can be removed from the appliance only for cleaning purpose.

6.6 Bottle rack

Place the bottles (with the opening facing front) in the pre-positioned shelf.



Place only closed bottles on the shelf.

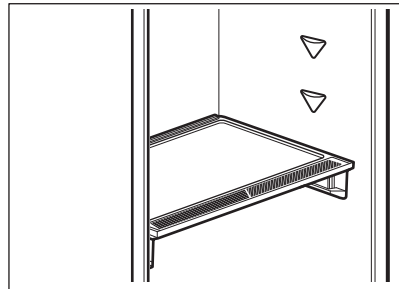


6.7 Humidity control

The glass shelf of the GreenZone drawer features a device that regulates its sealing and provides for optimal humidity inside the drawer.

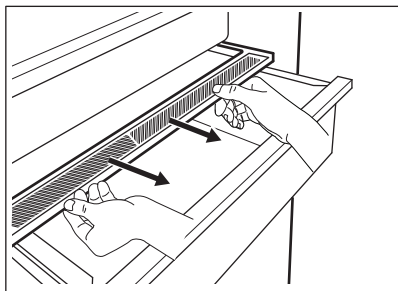


Do not place any food products on the humidity control device.

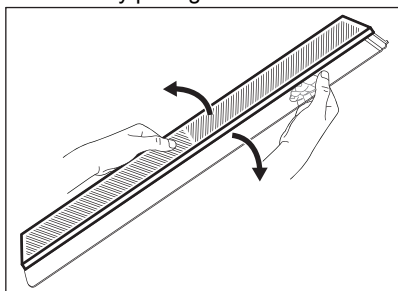


To remove the humidity control device:

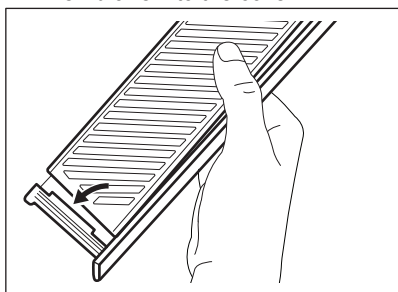
1. Open the drawer below the glass shelf and pull out the cover.



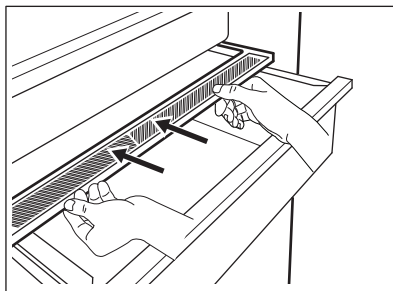
2. If you need to replace the device's white membrane, grab the device in the middle and separate the membrane from the cover by pulling the cover.



3. Assemble a new membrane into the cover by pressing the edge of the membrane into the cover.



4. Reassemble the humidity control back on the drawer.



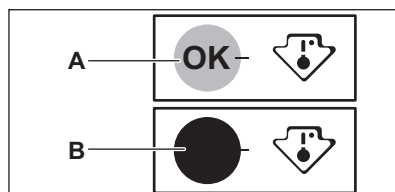
Depending on the quantity and condition of fruit and vegetables stored in the GreenZone drawer, condensation may occur. In such a case, remove the condensation using a soft cloth.

6.8 Temperature indicator

For proper storage of food the refrigerator is equipped with the temperature indicator. The symbol on the side wall of the appliance indicates the coldest area in the refrigerator.

If OK is displayed (A), put fresh food into area indicated by symbol, if not (B), wait at least 12 hours and check if it is OK (A).

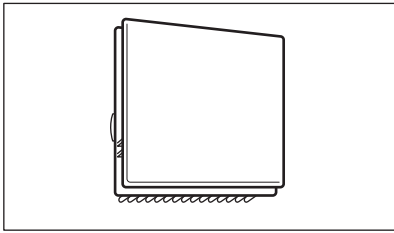
If it is still not OK (B), adjust the setting control to a colder setting.



6.9 MULTIFLOW

The refrigerator compartment is equipped with the MULTIFLOW device that allows for rapid and more effective cooling of food and maintaining a more uniform temperature in each part of the refrigerator compartment.

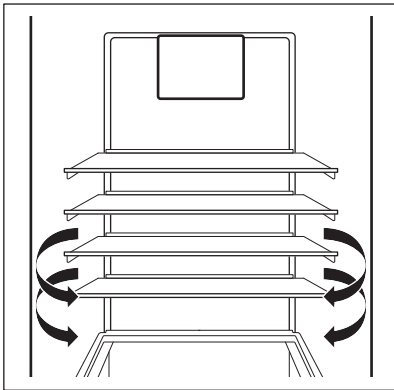
This device activates automatically when needed.



MULTIFLOW operates only when the door is closed.



Do not block the air vents to allow better cooling.



Do not remove the MULTIFLOW panel. Do not use water spray or steam to clean the appliance. For cleaning instructions, refer to the "Care and cleaning" chapter.

6.10 CleanAir+ filter

In the appliance, there is a CleanAir+ carbon filter.

The filter purifies the air from unwanted odours in the fridge compartment, improving the storage quality.

On delivery, the filter and its plastic housing are in a plastic bag with the other accessories (refer to "Installing and replacing the CleanAir + filter" section in "Care and cleaning" chapter for the installation).

6.11 Freezing fresh food

The freezer compartment is suitable for freezing fresh food and storing frozen and deep-frozen food for a long time.

To freeze fresh food activate the Extra Freeze function at least 4 hours before placing the food to be frozen in the freezer compartment.

Store the fresh food evenly distributed in the first compartment or drawer from the top.

The maximum amount of food that can be frozen without adding other fresh food during 24 hours is specified on the rating plate (a label located inside the appliance).

When the freezing process is complete, the appliance returns to the previously set temperature (see "Extra Freeze" function).

For more information refer to "Hints for freezing"

6.12 Storage of frozen food

When activating an appliance for the first time or after a period out of use, before putting the products in the compartment let the appliance run at least 3 hours with the Extra Freeze function switched on.

The freezer drawers ensure that it is quick and easy to find the food package you want. If large quantities of food are to be stored, remove all drawers, except for the bottom drawer which needs to be in place to provide good air circulation.

Keep the food on the shelves no closer than 15 mm from the door.

CAUTION!

In the event of accidental defrosting, for example due to a power failure, if the power has been off for longer than the value shown on rating plate under "rising time", the defrosted food must be consumed quickly or cooked immediately then cooled and then re-frozen.

6.13 Thawing

Deep-frozen or frozen food, prior to being used, can be thawed in the refrigerator compartment or at room temperature,

depending on the time available for this operation.

Small pieces may even be cooked still frozen, directly from the freezer: in this case, cooking will take longer.

6.14 Ice-cube production

This appliance is equipped with one or more trays for the production of ice-cubes.



Do not use metallic instruments to remove the trays from the freezer.

1. Fill these trays with water.
2. Put the ice trays in the freezer compartment.

7. HINTS AND TIPS

7.1 Hints for energy saving


- Freezer: The internal configuration of the appliance is the one that ensures the most efficient use of energy.
- Fridge: Most efficient use of energy is ensured in the configuration with the drawers in the bottom part of the appliance and shelves evenly distributed. Position of the door bins does not affect energy consumption.
- Do not open the door frequently or leave it open longer than necessary.
- Freezer: The colder the temperature setting, the higher the energy consumption.
- Fridge: Do not set too high temperature to save energy unless it is required by the characteristics of the food.
- If the ambient temperature is high and the temperature control is set to low temperature and the appliance is fully loaded, the compressor may run continuously, causing frost or ice formation on the evaporator. In this case, set the temperature control toward higher temperature to allow automatic defrosting and to save energy this way.
- Ensure a good ventilation. Do not cover the ventilation grilles or holes.
- Make sure that food products inside the appliance allow air circulation through dedicated holes in the rear interior of the appliance.

7.2 Hints for freezing

- Activate Extra Freeze function at least 4 hours before placing the food inside the freezer compartment.

- Before freezing wrap and seal fresh food in: aluminium foil, plastic film or bags, airtight containers with lid.
- For more efficient freezing and thawing divide food into small portions.
- It is recommended to put labels and dates on all your frozen food. This will help to identify foods and to know when they should be used before their deterioration.
- The food should be fresh when being frozen to preserve good quality. Especially fruits and vegetables should be frozen after the harvest to preserve all of their nutrients.
- Do not freeze bottles or cans with liquids, in particular drinks containing carbon dioxide - they may explode during freezing.
- Do not put hot food in the freezer compartment. Cool it down at room temperature before placing it inside the compartment.
- To avoid increase in temperature of already frozen food, do not place fresh unfrozen food directly next to it. Place food at room temperature in the part of the freezer compartment where there is no frozen food.
- Do not eat ice cubes, water ices or ice lollies immediately after taking them out of the freezer. Risk of frostbites.
- Do not re-freeze defrosted food. If the food has defrosted, cook it, cool it down and then freeze it.

7.3 Hints for storage of frozen food

- Freezer compartment is the one marked with .

- Higher temperature setting inside the appliance may lead to shorter shelf life.
- The whole freezer compartment is suitable for storage of frozen food products.
- Leave enough space around the food to allow air to circulate freely.
- For adequate storage refer to food packaging label to see the shelf life of food.
- It is important to wrap the food in such a way that prevents water, humidity or condensation from getting inside.

7.4 Shopping tips

After grocery shopping:

- Ensure that the packaging is not damaged - the food could be deteriorated. If the

7.5 Shelf life for freezer compartment

Type of food	Shelf life (months)
Bread	3
Fruits (except citrus)	6 - 12
Vegetables	8 - 10
Leftovers without meat	1 - 2
Dairy food:	
Butter	6 - 9
Soft cheese (e.g. mozzarella)	3 - 4
Hard cheese (e.g. parmesan, cheddar)	6
Seafood:	
Fatty fish (e.g. salmon, mackerel)	2 - 3
Lean fish (e.g. cod, flounder)	4 - 6
Shrimps	12
Shucked clams and mussels	3 - 4
Cooked fish	1 - 2
Meat:	
Poultry	9 - 12
Beef	6 - 12
Pork	4 - 6
Lamb	6 - 9
Sausage	1 - 2
Ham	1 - 2
Leftovers with meat	2 - 3

7.6 Hints for fresh food refrigeration


- Good temperature setting that ensures preservation of fresh food is a temperature less than or equal to +4°C.

- package is swollen or wet, it might have not been stored in the optimal conditions and defrosting may have already started.
- To limit the defrosting process buy frozen goods at the end of your grocery shopping and transport them in a thermal and insulated cool bag.
- Place the frozen foods immediately in the freezer after coming back from the shop.
- If food has defrosted even partially, do not re-freeze it. Consume it as soon as possible.
- Respect the expiry date and the storage information on the package.

- Higher temperature setting inside the appliance may lead to shorter shelf life of food.
- Cover the food with packaging to preserve its freshness and aroma.

- Always use closed containers for liquids and for food, to avoid flavours or odours in the compartment.
- To avoid the cross-contamination between cooked and raw food, cover the cooked food and separate it from the raw one.
- It is recommended to defrost the food inside the fridge.
- Do not insert hot food inside the appliance. Make sure it has cooled down at room temperature before inserting it.
- To prevent food waste the new stock of food should always be placed behind the old one.

7.7 Hints for food refrigeration

- Fresh food compartment is the one marked (on the rating plate) with .
- Meat (all types): wrap in a suitable packaging and place it on the glass shelf

- above the vegetable drawer. Store meat for at most 1-2 days.
- Fruit and vegetables: clean thoroughly (eliminate the soil) and place in a special drawer (vegetable drawer).
- It is advisable not to keep the exotic fruits like bananas, mangos, papayas etc. in the refrigerator.
- Vegetables like tomatoes, potatoes, onions, and garlic should not be kept in the refrigerator.
- Butter and cheese: place in an airtight container or wrap in an aluminium foil or a polythene bag to exclude as much air as possible.
- Bottles: close them with a cap and place them on the door bottle shelf, or (if available) on the bottle rack.
- Always refer to the expiry date of the products to know how long to keep them.

8. CARE AND CLEANING

WARNING!

Refer to Safety chapters.

8.1 General warnings

CAUTION!

Unplug the appliance before carrying out any maintenance operation.



This appliance contains hydrocarbons in its cooling unit; maintenance and recharging must therefore only be carried out by authorized technicians.



The accessories and parts of the appliance are not suitable for washing in a dishwasher.

8.2 Cleaning the interior

Before using the appliance for the first time, the interior and all internal accessories should be washed with lukewarm water and some neutral detergent to remove the typical smell

of a brand-new product, then dried thoroughly.

CAUTION!

Do not use detergents, abrasive powders, chlorine or oil-based cleaners as they will damage the finish.

CAUTION!

The accessories and parts of the appliance are not suitable for washing in a dishwasher.

CAUTION!

Clean the control panel with a moist cloth. Do not use any detergents. After cleaning, wipe the control panel dry with a soft cloth.

8.3 Periodic cleaning

CAUTION!

Do not pull, move or damage any pipes and/or cables inside the appliance.

⚠ CAUTION!

Do not damage the cooling system.

⚠ CAUTION!

When moving the cabinet, lift by the front edge to avoid scratching the floor.

Clean the equipment regularly:

1. Clean the inside and accessories with lukewarm water and some neutral detergent.
2. Regularly check the door seals and wipe them clean to ensure they are clean and free from debris.
3. Rinse and dry thoroughly.

The lowest shelf, dividing the cooler compartment from the rest of the cabinet, can be removed only for cleaning. Pull out the shelf straight to remove it. The cover plates above the drawers in the compartment can be taken out for cleaning.

8.4 Defrosting of the freezer

The freezer compartment is frost free. This means that there is no build up of frost when it is in operation, neither on the internal walls, nor on the foods.

8.5 Defrosting of the fridge

Defrosting of the fridge compartment is automatic. The water that condenses flows into a recipient on the compressor and evaporates. The recipient cannot be removed.

8.6 Installing and replacing the CleanAir+ filter

The CleanAir+ filter is an activated carbon filter that absorbs bad odours and allows you to preserve the best flavour and aroma for all foodstuffs without risk of odour cross-contamination.

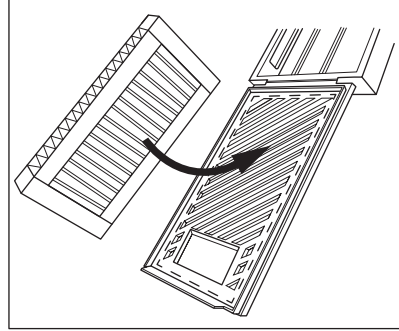


Handle the air filter carefully to avoid scratching its surface.

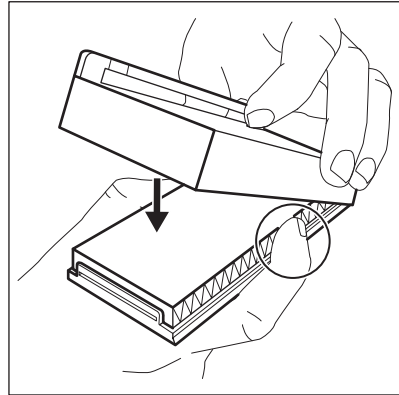
On delivery, the air filter is in a plastic bag to preserve performance.

Install the air filter before activating the appliance.

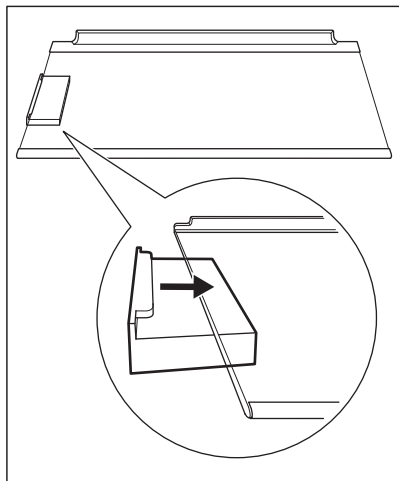
1. Unpack the air filter from the plastic bag.
2. Open the plastic housing and put the pleated surface on the grid, fitting the filter inside the marked area on the gridded surface.



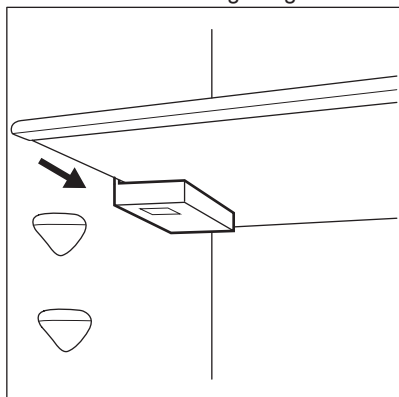
3. Hold the filter down while closing the plastic housing until you hear a click.



4. Remove the top glass shelf from the fridge compartment. Slip the plastic housing with the air filter on the left side of the glass shelf.

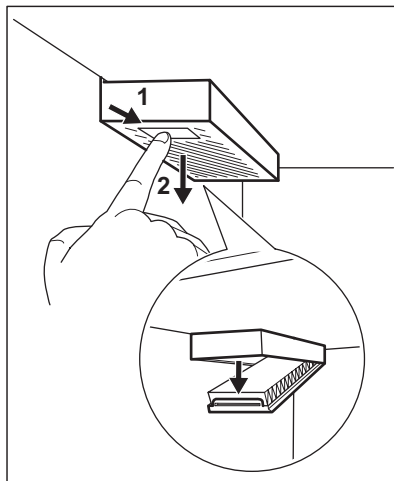


5. Insert the glass shelf back in the fridge compartment. Be careful not to hit the filter when inserting the glass shelf.

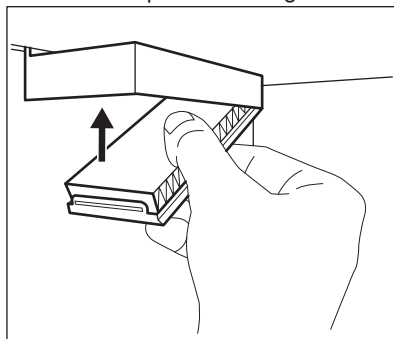


Replacing the air filter

1. Open the plastic housing.



2. Pull out the used air filter.
3. Unpack the new air filter from the plastic bag and insert it in the drawer.
4. Close the plastic housing.



For best performance, place the plastic housing in the proper location (to the left of the glass shelf) and replace the air filter every 6 months.



The air filter is a consumable accessory and as such is not covered by the guarantee. You can purchase new air filters from your local dealer.

8.7 Periods of non-operation

When the appliance is not in use for long periods, take the following precautions:

1. Disconnect the appliance from electricity supply.
2. Remove all food.
3. Clean the appliance and all accessories.
4. Leave the doors open to prevent unpleasant smells.

9. TROUBLESHOOTING

WARNING!

Refer to Safety chapters.

9.1 What to do if...

Problem	Possible cause	Solution
The appliance does not operate.	The appliance is switched off.	Switch on the appliance.
	The mains plug is not connected to the mains socket correctly.	Connect the mains plug to the mains socket correctly.
The appliance is noisy.	There is no voltage in the mains socket.	Connect a different electrical appliance to the mains socket. Contact a qualified electrician.
	The appliance is not supported properly.	Check if the appliance stands stable.
Acoustic or visual alarm is on.	The cabinet has been recently switched on.	Refer to "High temperature alarm".
	The temperature in the appliance is too high.	Refer to "High temperature alarm".
Acoustic or visual alarm is on.	The door is left open.	Close the door.
The compressor operates continually.	Temperature is set incorrectly.	Refer to "Control panel" chapter.
	Many food products were put in at the same time.	Wait a few hours and then check the temperature again.
	The room temperature is too high.	Refer to "Installation" chapter.
	Food products placed in the appliance were too warm.	Allow food products to cool to room temperature before storing.
	The door is not closed correctly.	Refer to "Closing the door" section.
	The Extra Freeze function is switched on.	Refer to "Extra Freeze function" section.
The compressor does not start immediately after pressing the "Extra Freeze" or "Extra Cool", or after changing the temperature.	The Extra Cool function is switched on.	Refer to "Extra Cool function" section.
	The compressor starts after a period of time.	This is normal, no error has occurred.
Door is misaligned or interferes with ventilation grill.	The appliance is not levelled.	Refer to installation instructions.

Problem	Possible cause	Solution
Door does not open easily.	You attempted to re-open the door immediately after closing.	
The lamp does not work.	The lamp is in stand-by mode.	Close and open the door.
	The lamp is defective.	Contact the nearest Authorized Service Centre.
There is too much frost and ice.	The door is not closed correctly.	Refer to "Closing the door" section.
	The gasket is deformed or dirty.	Refer to "Closing the door" section.
	Food products are not wrapped properly.	Wrap the food products better.
	Temperature is set incorrectly.	Refer to "Control panel" chapter.
	Appliance is fully loaded and is set to the lowest temperature.	Set a higher temperature. Refer to "Control panel" chapter.
	Temperature set in the appliance is too low and the ambient temperature is too high.	Set a higher temperature. Refer to "Control panel" chapter.
Water flows on the rear plate of the refrigerator.	During the automatic defrosting process, frost melts on the rear plate.	This is correct.
There is too much condensed water on the rear wall of the refrigerator.	Door was opened too frequently.	Open the door only when necessary.
	Door was not closed completely.	Make sure the door is closed completely.
	Stored food was not wrapped.	Wrap food in suitable packaging before storing it in the appliance.
Temperature cannot be set.	The Extra Freeze function or Extra Cool function is switched on.	Switch off Extra Freeze function or Extra Cool function manually, or wait until the function deactivates automatically to set the temperature. Refer to "Extra Freeze function" or "Extra Cool function" section.
The temperature in the appliance is too low/too high.	The temperature is not set correctly.	Set a higher/lower temperature.
	The door is not closed correctly.	Refer to "Closing the door" section.
	The food products' temperature is too high.	Let the food products temperature decrease to room temperature before storage.
	Many food products are stored at the same time.	Store less food products at the same time.
	The door has been opened often.	Open the door only if necessary.
	The Extra Freeze function is switched on.	Refer to "Extra Freeze function" section.
	The Extra Cool function is switched on.	Refer to "Extra Cool function" section.

Problem	Possible cause	Solution
	There is no cold air circulation in the appliance.	Make sure that there is cold air circulation in the appliance. Refer to "Hints and tips" chapter.



If the advice does not lead to the desired result, call the nearest Authorized Service Centre.

9.2 Replacing the lamp

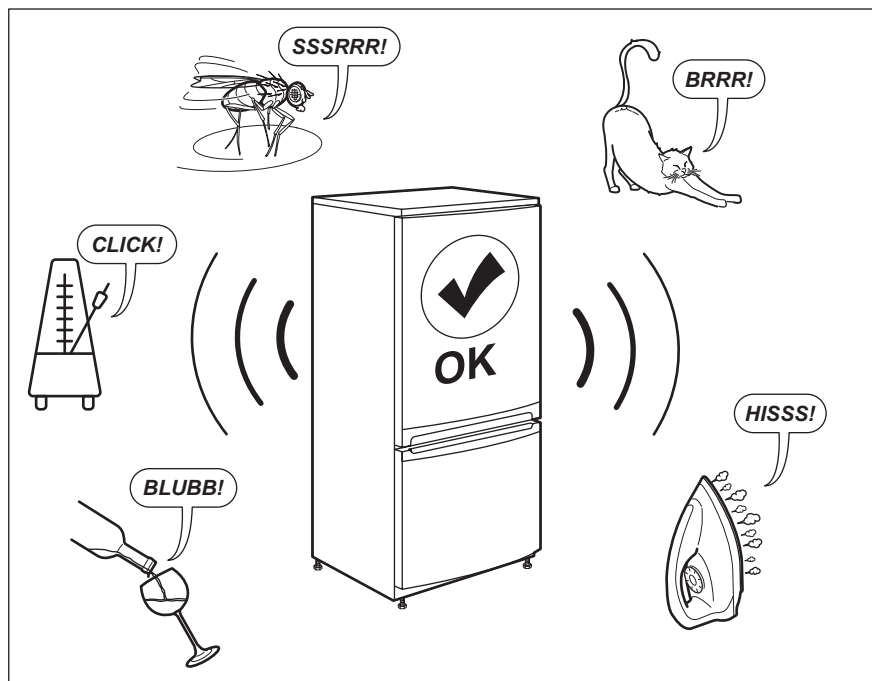
The appliance is equipped with a longlife LED interior light.

Only service is allowed to replace the lighting device. Contact your Authorised Service Centre.

9.3 Closing the door

1. Clean the door gaskets.
2. If necessary, adjust the door. Refer to the "Installation" chapter.
3. If necessary, replace the defective door gaskets. To obtain more information, contact the Authorised Service Centre.

10. NOISES



11. TECHNICAL DATA

The technical information is situated in the rating plate on the internal side of the appliance and on the energy label.

The QR code on the energy label supplied with the appliance provides a web link to the information related to the performance of the appliance in the EU EPREL database. Keep the energy label for reference together with the user manual and all other documents provided with this appliance.

It is also possible to find the same information in EPREL using the link <https://eprel.ec.europa.eu> and the model name and product number that you find on the rating plate of the appliance.


See the link www.theenergylabel.eu for detailed information about the energy label.


12. INFORMATION FOR TEST INSTITUTES

Installation and preparation of the appliance for any EcoDesign verification shall be compliant with EN 62552 (EU). Ventilation requirements, recess dimensions and minimum rear clearances shall be as stated

in this User Manual in "Installation". Please contact the manufacturer for any other further information, including loading plans.

13. ENVIRONMENTAL CONCERNS

Recycle materials with the symbol . Put the packaging in relevant containers to recycle it. Help protect the environment and human health by recycling waste of electrical and electronic appliances. Do not dispose of

appliances marked with the symbol  with the household waste. Return the product to your local recycling facility or contact your municipal office.

Velkomin(n) til Electrolux! Þakka þér fyrir að velja heimilistækið okkar.



Fá leiðbeiningar um notkun, bæklinga, bilanaleit, þjónustu- og viðgerðarupplýsingar.
www.electrolux.com/support

Með fyrirvara á breytingum.

EFNISYFIRLIT

1. ÖRYGGISUPPLÝSINGAR.....	27
2. ÖRYGGISLEIÐBEININGAR.....	29
3. UPPSETNING.....	31
4. NOTKUN.....	35
5. WI-FI UPPSETNING TENGIBÚNAÐAR.....	37
6. DAGLEG NOTKUN.....	38
7. ÁBENDINGAR OG GÓÐ RÁÐ.....	43
8. UMHIRÐA OG HREINSUN.....	46
9. BILANALEIT.....	48
10. HÁVAÐI.....	51
11. TÆKNILEGAR UPPLÝSINGAR.....	51
12. UPPLÝSINGAR FYRIR PRÓFUNARSTOFNANIR.....	51
13. UMHVERFISMÁL.....	52

1. ⚠ ÖRYGGISUPPLÝSINGAR

Fyrir uppsetningu og notkun heimilistækisins skal lesa meðfylgjandi leiðbeiningar vandlega. Framleiðandinn ber ekki ábyrgð á neinum meiðslum eða skemmdum sem leiða af rangri uppsetningu eða notkun. Geymdu alltaf leiðbeiningarnar á öruggum stað þar sem auðvelt er að nálgast þær til síðari notkunar.

1.1 Öryggi barna og viðkvæmra einstaklinga

- Börn, 8 ára og eldri og fólk með minnkaða líkamlega-, skyn- eða andlega getu, eða sem skortir reynslu og þekkingu, mega nota þetta tæki, ef þau eru undir eftirliti eða hafa verið veittar leiðbeiningar varðandi örugga notkun tækisins og ef þau skilja hættuna sem því fylgir. Börn á aldrinum 3 til 8 ára og einstaklingar með mjög mikla og flókna fötlun er leyfilegt að setja í og taka úr heimilistækinu, að því tilskildu að þau

hafi fengið almennilegar leiðbeiningar. Halda ætti börnum yngri en 3 ára frá heimilistækinu nema þau séu undir stöðugu eftirliti.

- Hafa ætti eftirlit með börnum til að tryggja að þau leiki sér ekki með heimilistækið og fartæki með smáforritum.
- Börn eiga ekki að hreinsa eða framkvæma notandaviðhald á heimilistækinu án eftirlits.
- Haltu öllum umbúðum frá börnum og fargaðu þeim á viðeigandi hátt.

1.2 Almennt öryggi

- Þetta heimilistæki er eingöngu fyrir geymslu á matvörum og drykkjum.
- Þetta heimilistæki er hannað til notkunar innanhúss á heimilum.
- Þetta heimilistæki má nota á skrifstofum, í herbergjum hótela, herbergjum gestahúsa, bændagistingum og öðrum sambærilegum gistirýmum þar sem notkun er ekki meiri en almenn heimilisnotkun.
- Til að forðast spillingu matvæla skal virða eftirfarandi leiðbeiningar:
 - Hafðu hurðina ekki opna um lengri tíma;
 - hreinsaðu reglubundið fleti sem geta komist í snertingu við matvæli og aðgengileg frárennsliskerfi;
 - geymdu hrátt kjöt og fisk í hentugum ílátum í kælisrápnum þannig að það komist ekki í snertingu við eða leki niður á önnur matvæli.
- VIÐVÖRUN: Haltu loftræstingaropum, í afgangi heimilistækisins eða í innbyggðu rými, lausu við hindranir.
- VIÐVÖRUN: Notaðu ekki vélrænan búnað eða aðrar aðferðir til að hraða afísunarferli, annan en þann sem framleiðandinn mælir með.
- VIÐVÖRUN: Skemmdu ekki kælimiðilsrásina.
- VIÐVÖRUN: Notaðu ekki rafmagnstæki inni í geymsluhólfum matvæla í heimilistækinu, nema þau séu af þeirri tegund sem framleiðandinn mælir með.

- Notaðu ekki vatnsúða og gufu til að hreinsa heimilistækið.
- Hreinsaðu heimilistækið með mjúkum rökum klút. Notaðu aðeins hlutlaus þvottaefni. Notaðu ekki neinar vörur með svarfefnum, stálull, leysiefni eða málmhluti.
- Þegar heimilistækið er tómt um lengri tíma skal slökkva á því, afísa, hreinsa, þurrka og skilja hurðina eftir opna til að koma í veg fyrir að mygla myndist inni í tækinu.
- Geymdu ekki sprengifim efni eins og úðabrúsa með eldfimu drifefni í þessu heimilistæki.
- Ef rafmagnssnúran er skemmd verður framleiðandi, viðurkennd þjónustumiðstöð, eða svipað hæfur aðili að endurnýja hana til að forðast hættu.

2. ÖRYGGISLEIÐBEININGAR

2.1 Uppsetning

AÐVÖRUN!

Einungis til þess hæfur aðili má setja upp þetta heimilistæki.

- Fjarlægðu allar umbúðir.
- Ekki setja upp eða nota skemmt heimilistæki.
- Fylgdu leiðbeiningum um uppsetningu sem fylgja með heimilistækinu.
- Alltaf skal sýna aðgát þegar heimilistækið er fært vegna þess að það er þungt. Notaðu alltaf öryggishanska og lokaðan skóbúnað.
- Gakktu úr skugga um að loft geti flætt í kringum heimilistækið.
- Við fyrstu uppsetningu eða eftir að hurðinni hefur verið snúð skal bíða í að minnsta kosti 4 klukkustundir áður en heimilistækið er tengt við rafmagn. Þetta er til að olían nái að flæða aftur í þjöppuna.
- Áður en þú framkvæmir einhverjar aðgerðir á heimilistækinu (t.d. snýrð við hurðinni) skaltu taka klóna úr rafmagnsinnstungunni.
- Ekki setja heimilistækið upp nálægt hitagjöfum (ofnum) eða eldavélum, bókunarofnum eða helluborðum, nema annað sé tekið fram í leiðbeiningum um uppsetningu.

- Ekki hafa heimilistækið berskjaldað gagnvart rigningu.
- Ekki setja heimilistækið upp þar sem það verður fyrir beinu sólarljósi.
- Ekki setja þetta heimilistæki upp á svæðum þar sem er of mikill raki eða of kalt.
- Þegar þú færir til heimilistækið, skaltu lyfta brúninni að framan til að koma í veg fyrir að þú rispir gólfíð.

2.2 Rafmagnstenging

AÐVÖRUN!

Hætta á eldi og raflosti.

AÐVÖRUN!

Þegar heimilistækið er staðsett skaltu tryggja að rafmagnssnúran sé hvorki klemmd né skemmd.

AÐVÖRUN!

Notaðu ekki fjöltengi eða framlengingarsnúru.

- Heimilistækið verður að vera jarðtengt.
- Gakktu úr skugga um að færibreyturnar á merkiplötunni séu samhæfar við rafmagnsflokkun aðalæðar afgangjafa.
- Notaðu alltaf rétt ísetta innstungu sem ekki veldur raflosti.

- Gakktu úr skugga um að rafmagnsihlutir verði ekki fyrir skemmdum (t.d. rafmagnsklóin, snúran, þjappan). Hafa skal samband við viðurkennda þjónustumiðstöð eða rafvirkja til að skipta um rafmagnsihluti.
- Rafmagnssnúran verður að liggja neðar en rafmagnsklóin.
- Aðeins skal tengja rafmagnsklóna við rafmagnsinnstunguna í lok uppsetningarinnar. Gakktu úr skugga um að rafmagnsklóin sé aðgengileg eftir uppsetningu.
- Ekki toga í snúruna til að taka tækið úr sambandi. Taktu alltaf um klóna.

2.3 Notkun

AÐVÖRUN!

Hætta á meiðslum, bruna, raflosti eða eldsvoða.



Heimilistækið inniheldur eldfimt gas, ísóbután (R600a), náttúrulegt gas, sem er mjög umhverfisvænt. Gættu þess að valda ekki skaða á kælrásinni sem inniheldur ísóbután.

- Breytið ekki eiginleikum heimilistækisins.
- Ekki láta rafmagnstæki (s.s. ísgerðarvélar) í tækið nema það sé tekið fram af framleiðanda að þau þoli það.
- Ef rafrásir kælibúnaðarins skemmast skal gæta þess að það sé enginn logi eða kveikjugjafar í herberginu. Loftræstu herbergið.
- Ekki láta heita hluti snerta þá hluta heimilistækisins sem eru úr plasti.
- Ekki setja gosdrykki í frystihólfíð. Við það myndast þrýstingur innan í drykkjarilátinu.
- Ekki nota heimilistækið til að geyma eldfimar lofttegundir eða vökva.
- Setjið ekki eldfim efni eða hluti bleytta með eldfimum efnum í, nálæg, eða á heimilistækið.
- Ekki snerta þjökkuna eða þéttinn. Þau eru heit.
- Deildu ekki Wi-Fi aðgangsorðinu þínu.
- Ekki fjarlægja eða snerta hluti úr frystihólfinu ef hendur þínar eru rakar eða blautar.
- Ekki endurfrysta mat sem búið er að þíða.

- Fylgdu geymsluleiðbeiningunum á umbúðum frystra matvæla.
- Vefðu matnum inn áður en þú setur hann í frystihólfíð.
- Leyfið ekki matvælum að komast í snertingu við innri veggji heimilistækishólfanna.

2.4 Innri lýsing

AÐVÖRUN!

Hætta á raflosti.

- Þessi vara inniheldur einn eða fleiri ljósgjafa í orkunýtniflokknum F.
- Varðandi ljósin inn í þessari vöru og ljós sem varahluti sem seld eru sérstaklega: Þessi ljós eru ætluð að standast öfgakenndar aðstæður í heimilistækjum eins og hitastig, titring, raka eða til að senda upplýsingar um rekstrarstöðu tækisins. Þau eru ekki ætluð til að nota í öðrum tækjum og henta ekki sem lýsing í herbergjum heimila.

2.5 Umhirða og þrif

AÐVÖRUN!

Hætta á meiðslum eða skemmdum á heimilistækinu.

- Áður en viðhald fer fram á tækinu skal slökkva á því og aftengja aðalklóna frá rafmagnsinnstungunni.
- Þetta tæki inniheldur kolvatnsefni í kælieiningunni. Aðeins hæfir aðilar mega sinna viðhaldi og endurhleðslu á einingunni.
- Skoðið frárennsli tækisins reglulega og hreinsið það ef þörf krefur. Ef frárennslið er stíflað mun affryst vatn safnast fyrir í botni heimilistækisins.

2.6 Þjónusta

- Hafðu samband við viðurkennda þjónustumiðstöð til að gera við heimilistækið. Notaðu eingöngu upprunalega varahluti.
- Vinsamlegast athugaðu að ef þú eða einhver sem ekki er fagmaður gerir við getur það haft afleiðingar varðandi öryggi og gæti ógilt ábyrgðina.

- Eftirfarandi varahlutir eru fánlegir í að minnsta kosti 7 ár eftir að framleiðslu gerðarinnar hefur verið hætt: hitastillar, hitaskynjarar, prentplötur, ljósgjafar, hurðahandföng, hurðalamir, bakkar og grindur. Hurðabéttingar eru fánlegar í að minnsta kosti 10 ár eftir að framleiðslu gerðarinnar hefur verið hætt. Verið gæti að tímalengdin sé ekki lengur fánleg í þínu landi. Farðu á vefsíðu okkar fyrir frekari upplýsingar.
- Vinsamlegast athugaðu að suma þessara varahluta geta aðeins atvinnuviðgerðaraðilar fengið og ekki eru allir varahlutir viðeigandi fyrir allar gerðir.
- Aftengið heimilistækið frá rafmagnsgjafanum.
- Klippa rafmagnssnúruna af og fleygið henni.
- Fjarlægjið hurðina til að koma í veg fyrir að börn eða dýr geti lokast inni í tækinu.
- Kælirásin og einangrunarefnið á tækinu eru ósónvæn.
- Einangrunarfroðan inniheldur eldfimar lofttegundir. Hafið samband við sveitarfélagið til að fá upplýsingar um hvernig á að farga heimilistækinu á réttan hátt.
- Ekki valda skaða á hluta kælieiningarinnar sem er nálægt hitaskiptinum.

2.7 Förgun

AÐVÖRUN!

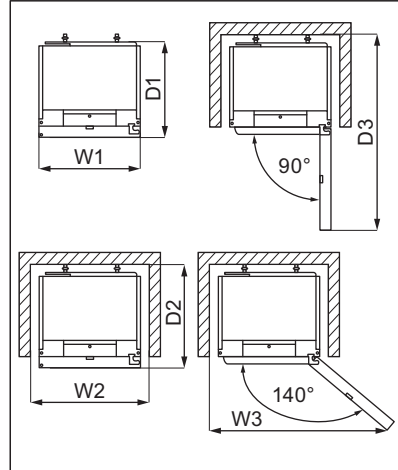
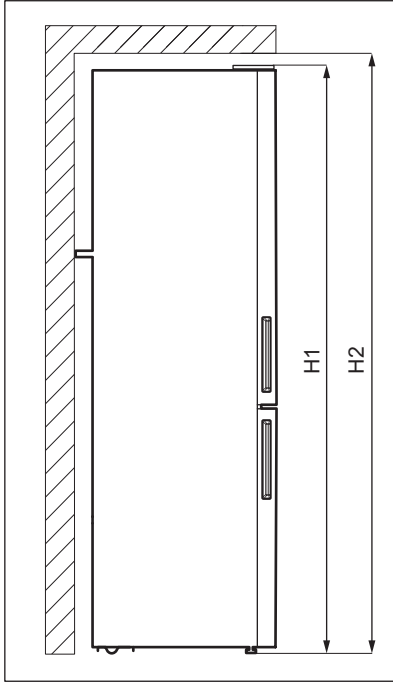
Hætta á meiðslum eða köfnun.

3. UPPSETNING

AÐVÖRUN!

Sjá kafla um öryggismál.

3.1 Mál



Heildarmál ¹		
H1	mm	2020
W1	mm	595
D1	mm	639

¹ hæð, breidd og dýpt heimilistækisins án handfangs

Svæði sem þarf til notkunar ²		
H2	mm	2050
W2	mm	600
D2	mm	700

² hæð, breidd og dýpt heimilistækisins ásamt handfangi, auk rýmisins sem þarf til að tryggja rétt loftflæði fyrir kæli loft

Heildarsvæði sem þarf til notkunar ³		
H2	mm	2050
W3	mm	1031
D3	mm	1256

³ hæð, breidd og dýpt heimilistækisins ásamt handfangi, auk rýmisins sem þarf til að tryggja rétt loftflæði fyrir kæli loft, auk svæðisins sem nauðsynlegt er svo að hurðin geti opnast við lágmarkshorn sem nauðsynlegt er til að fjarlægja allan innri búnað

3.2 Staðsetning

Þetta heimilistæki er ekki ætlað til þess að vera innbyggt.

Ef tækið er sett upp með öðrum hætti en frístandandi og með tilliti til notkunar svæðis,

mun heimilistækið virka rétt en orkunotkun gæti aukist nokkuð.

Til að tryggja bestu virkni heimilistækisins, ætti ekki að setja heimilistækið upp á stað þar sem það verður fyrir beinu sólarljósi. Ekki setja heimilistækið upp nálægt hitagjöfum (bökunarofnum, eldavelum, ofnum, eldunarhellum, víftuháfum eða helluborðum), nema annað sé tekið fram í leiðbeiningum um uppsetningu. Gakktu úr skugga um að loftflæði sé gott aftan við skápinn.

Tækið á að setja upp á þurrum, vel loftræstum stað innandyrna.

Til að tryggja bestu frammistöðu heimilistækisins, ef tækið er staðsett fyrir neðan útskagandi veggjeiningu, er nauðsynlegt að viðhalda lágmarksfjarlægð við efsta hluta skápsins. Hins vegar ætti heimilistækið helst ekki að vera staðsett undir útskagandi veggjeiningum. Einn eða fleiri stillanlegir fætur á undirstöðu skápsins tryggja að heimilistækið sé stöðugt.

VARÚÐ!

Ef þú staðsetur heimilistækið upp við vegg, skaltu nota meðfylgjandi millistykki fyrir bakið til að viðhalda þeirri lágmarksfjarlægð sem tilgreind er í uppsetningarleiðbeiningunum.

VARÚÐ!

Ef þú setur heimilistækið upp við vegg, skaltu skoða uppsetningarleiðbeiningarnar til að átta þig á nauðsynlegri lágmarksfjarlægð á milli veggisins og hliða tækisins, þar sem hurðahjarinnar eru hugsaðar til að veita hurðinni nægilegt pláss þegar verið er að fjarlægja innri einingar (t.d. við þrif).

Þetta heimilistæki er ætlað til notkunar við stofuhita á bilinu 10°C til 43°C.



Eingöngu er hægt að ábyrgjast rétta virkni heimilistækisins sé það notað á þessu hitabili.



Ef þú hefur einhverjar efasemdir varðandi uppsetningu heimilistækisins, skaltu vinsamlegast ráðfæra þig við seljanda, þjónustuverið okkar eða næstu viðurkenndu þjónustumiðstöð.



Það verður að vera hægt að taka heimilistækið úr sambandi við rafmagn. Innstungan verður því að vera aðgengileg eftir uppsetningu.

3.3 Rafmagnstenging

- Áður en stungið er í samband, þarf að ganga úr skugga um að sú spennna og tíðni sem sýnd eru á merkiplötunna samræmist heimilisrafmagninu.
- Heimilistækið verður að vera jarðtengt. Kló rafmangssnúrunnar er með snertu sem er ætluð til þess. Ef innstungan á heimilinu er ekki jarðtengt, þarf að jarðtengja heimilistækið í aðskilda jörð til að uppfylla nügildandi reglugerðir. Hafið samband við fagmenntaðan rafvirkja.
- Framleiðandi hafnar allri ábyrgð ef ofangreindum öryggisráðstöfunum er ekki fylgt.

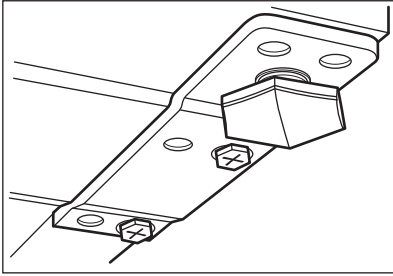
3.4 Hallajöfnun



Stilling hurða veltur á réttri hallajöfnun.

Ráðlagt er að tæma heimilistækið áður en þetta er framkvæmt.

Þegar heimilistækinu er komið fyrir skal tryggja að það standi lárétt. Þessu er hægt að ná með því að stilla fæturnar tvær neðan á tækinu að framan.



3.5 Aftari millileggsskífur



Vinsamlegast skoðaðu sérstakt skjal með leiðbeiningum um uppsetningu og viðsnúning hurðar.

VARÚÐ!

Ef þú setur heimilistækið frístandandi upp við vegg skaltu setja upp millistykkin að aftan þannig að þau tryggi lágmarksfjarlægð sem þarf fyrir loftflæði. Notaðu millistykkin að aftan sem fylgja eins og sýnt er í leiðbeiningum fyrir uppsetningu.

3.6 Viðsnúningur hurðar

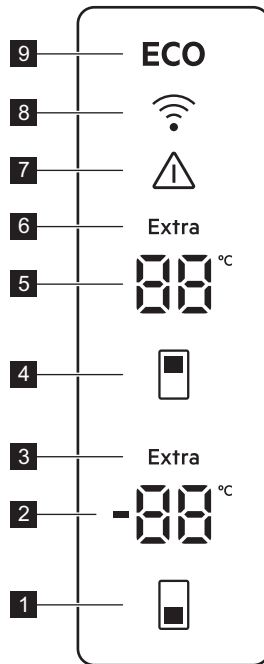
Vinsamlegast skoðaðu sérstakt skjal með leiðbeiningum um uppsetningu og viðsnúning hurðar.

VARÚÐ!

Við hvert þrep í viðsnúningi hurðar skal gæta þess að verja gólfid gegn rispum, með slitsterku efni.

4. NOTKUN

4.1 Stjórnborð



- 1 Hnappur fyrir hitastig frystis
- 2 Vísir fyrir frystihólf
- 3 Extra Freeze vísir
- 4 Hnappur fyrir hitastig kælikáps
- 5 Vísir fyrir kælihöf
- 6 Extra Cool vísir
- 7 Aðvörunarvísir
- 8 Tengingarvísir
- 9 ECOMETER vísir

4.2 Kveikja


1. Tengdu klóna við rafmagnsinnstunguna.
2. Ýttu á og haltu inni hnöppunum fyrir hitastig kælisins og frystisins í 10 sekúndur.

Skjárinn sýnir  vísinn blikkandi.

4.3 Slökkva

1. Ýttu á og haltu inni hnöppunum fyrir hitastig kælisins og frystisins í 10 sekúndur.

Skjárinn sýnir  vísinn blikkandi.

2. Slökkt er á heimilistækinu og  vísirinn er stöðugur og kemur í stað hitastig kælisins. Aftengdu klóna frá rafmagnsinnstungunni.

4.4 Hitastilling

Stilltu hitastig heimilistækisins með því að ýta á hitastigshnappana. Ráðlögð innstillt hitastig eru:

- +4°C fyrir kælinn
- -18°C fyrir frystinn

Hitasviðið getur verið breytilegt á bilinu -15 og -24°C fyrir frystinn og á bilinu 2 og 8°C fyrir kælinn.



Hitastigsvísar sýna hitastigið sem búið var að stilla. Hitastillingunni þarf að ná innan 24 klukkustunda. Eftir rafmagnsleysi helst stillt hitastig vistað.



LED-ljós fyrir ECO vísinn er kveikt þegar ráðlagt hitastig er innstillt.



Slökktu á Extra Freeze aðgerðinni áður en þú stillir inn annað hitastig fyrir frystinn.

4.5 ECO aðgerð

ECO aðgerðin tryggir lágmarksorkunotkun með ákjósanlegusta hitastiginu fyrir varðveislu matvæla.

Þegar þessi hamur er virkur:

- Innstillt hitastig kælihólfins er 4°C.
- Innstillt hitastig frystihólfins er -18°C.

Til að afvirkja ECO aðgerðina:

- stilltu á annað hitastig. Sjá „Hitastilling“.
- virkjaðu Extra Cool og Extra Freeze aðgerðirnar.

4.6 Extra Cool aðgerð

Ef þú þarft að láta mikið af matvöru við stofuhitastig inn í kælihölfina, svo sem eftir matarinnkaup, mælum við með því að virkja Extra Cool aðgerðina. Þessi aðgerð hraðar kælingu og kemur í veg fyrir að matvæli í geymslu hitni.

Til að virkja aðgerðina skaltu ýta á og halda inni hitastigshnappinum fyrir kælinn þangað til Extra Cool vísirinn kviknar.

Aðgerðin slekkur sjálfkrafa á sér eftir um það bil 6 klukkustundir.

Til að afvirkja Extra Cool aðgerðina áður en hún stöðvast sjálfkrafa skaltu ýta á og halda inni hitastigshnappinum fyrir kælinn þangað til það slokknar á Extra Cool vísinum.

Til að stilla á annað hitastig í kælinum skaltu slökva á Extra Cool aðgerðinni. Sjá „Hitastilling“ hlutann.

4.7 Extra Freeze aðgerð

Extra Freeze aðgerðin forfrystir og hraðfrystir í röð í frystihólfinu. Þessi aðgerð hraðar frýstingu ferskra matvæla og ver matvæli sem þegar eru í geymslu frá því að hitna.



Til að frýsta fersk matvæli skal virkja Extra Freeze aðgerðina minnst 4 klukkustundum áður en maturinn sem á að forfrýsta er settur í frystihólfid.

Til að virkja Extra Freeze aðgerðina skaltu ýta á og halda inni hitastigshnappinum fyrir kælinn þangað til Extra Freeze vísirinn kviknar.

Þessi aðgerð stöðvast sjálfkrafa eftir 24 klukkustundir.

Til að afvirkja Extra Freeze aðgerðina áður en hún stöðvast sjálfkrafa skaltu ýta á og halda inni hitastigshnappinum fyrir frystinn þangað til það slokknar á Extra Freeze vísinum.

4.8 Aðvörun fyrir opna hurð

Ef kælihurðin eða frystihurðin er skilin eftir opin í um það bil 5 mínútur virkjust viðvörunin. Á meðan viðvörun er í gangi:

- kveikt er á hljóðinu,
- vísirinn fyrir hitastig blikkar,
- viðvörunarvísirinn fyrir blikkar.

Ljósíð inni í kælinum gæti blikkað.

Aðvörunin stöðvast eftir að hurðinni er lokað.

Þú getur slökkt á viðvöruninni með því að ýta á hvaða hnapp sem er.



Það slokknar sjálfkrafa á hljóðinu eftir 1 klukkustund.

4.9 Aðvörun um háan hita



Viðvörun virkjust þegar þú setur heimilistækið í samband í fyrsta skipti.

Frystihólf

Viðvörðunin virkjust þegar hitastig frystihólfins er of hátt.

Á meðan viðvörðun er í gangi:

- skjárinn sýnir blikkandi **E09**,
- viðvörðunarvísirinn leiftrar,
- kveikt er á viðvörðunarljóðinu.

Slökkt á viðvörðuninni

- Ýttu á hvaða hnapp sem er á stjórnborðinu til að slökkva á viðvörðuninni. Viðvörðunarvísirinn og hljóðið slokkna. Skjárinn sýnir **E09** í 5 sekúndur og svo er núverandi hitastig frystisins sýnt.
- Viðvörðunarljóðið slokknar sjálfkrafa eftir 1 klukkustund. Ef hitastigið er enn of hátt virkjust viðvörðunin aftur.
- Þegar heimilistækið er komið aftur á innstillt gildi slokknar á viðvörðuninni og skjárinn verður venjulegur á ný.

4.10 Vísir fyrir loftsiúskipti

Skiptu um loftsiú á 6 mánaða fresti til að tryggja bestu virknina.



Sjá hlutann „Að setja upp og skipta um CleanAir+ síuna“ í kaflanum „Umhirða og



hreinsun“ til að sjá leiðbeiningar fyrir að skipta um síu.

4.11 Rest hamur

Rest hamurinn tryggir ákjósanlega varðveislu matvæla um leið og orkunotkun er lágmarkuð á meðan engin notkun er til staðar.

Til að virkja Rest haminn skaltu ýta á og halda inni hnappinum fyrir hitastig frystisins í 5 sekúndur. Skjárinn sýnir:

-  á vísinum fyrir hitastig frystihólfins,
-  á vísinum fyrir hitastig kælihólfins.

Hitastigshnappurinn fyrir hitastig frystisins til að kveikja eða slökkva á Rest haminum. Vísirinn fyrir hitastig frystisins mun breytast í  fyrir virkan eða  fyrir afvirkan Rest ham.

Rest hamurinn virkjust eftir 3 daga án samverkunar við heimilistækið. Rest hamurinn afvirkjust sjálfkrafa eftir hvaða samverkun sem er við heimilistækið.

5. WI-FI UPPSETNING TENGIBÚNAÐAR

5.1 Wi-Fi uppsetning tengibúnaðar

Þú getur tengt heimilistækið við þráðlausa netkerfi heimilisins og svo tengt hana við fartækið þitt. Þessi aðgerð gerir þér kleift að stýra og fylgjast með heimilistækinu úr fjarska með farsímaforriti.

Til að tengja heimilistækið þarftu:

- Þráðlaust netkerfi með nettengingu,
- Fartæki sem er tengt við þráðlausa netkerfið þitt.

Tíðni/samskiptareglur	Wi-Fi: 2.4 GHz / 802.11 bgn
Afl	Wi-Fi 2.4 GHz: <20 dBm
Dulritun	WPA-PSK, WPA2-PSK, WPA3-Personal


Uppsetning á appinu fyrir fartæki

Fylgdu eftirfarandi skrefum til að tengja heimilistækið við Wi-Fi:

1. Gakktu úr skugga um að heimilistækið sé tengt við rafmagn og kveikt sé á því.
2. Gakktu úr skugga um að fartækið sé tengt við sama þráðlausa netkerfi og þú vilt tengja heimilistækið við.
3. Til að hlaða niður appinu skaltu skanna QR-kóðann sem finna má aftan á notandahandbókinni. Þú getur líka halað niður appinu beint úr App store.
4. Opnaðu appið og skráðu það til að búa til reikning.

Stilling á þráðlausri nettengingu heimilistækisins

Fylgdu leiðbeiningunum í appinu til að ljúka skráningarferlinu:

1. Ýttu á og haltu inni hnöppunum fyrir hitastig kælis og frystis í 3 sekúndur.
2. Tengivísirinn byrjar að blikka og  birtist á hitastigsvísi kælisins.
3. Haltu áfram að fylgja leiðbeiningunum í appinu til að ljúka skráningarferlinu.

4. Tengivísirinn byrjar að blikka hraðar á meðan tenging næst.
Þegar tenging hefur tekist mun vísirinn fyrir tengingu hætta að blikka og lýsa stöðugt. Ef tenging næst ekki er slökkt á tengivísinum.



Ýttu á og haltu inni hnöppunum fyrir hitastig kælisins og frystisins í 3 sekúndur til að hætta við tenginguna.

Afviðgjaf á þráðlausri nettengingu heimilistækisins

Þú getur tímabundið afvirkjað Wi-Fi tenginguna. Ýttu á og haltu inni fyrir hitastig kælisins og frystisins í 3 sekúndur. Það slökkvar á tengivísinum.

Þegar Wi-Fi-tengingin hefur verið afvirkjuð þarftu að ýta á og halda inni fyrir hitastig kælisins of frystisins í 3 sekúndur til tengjast á ný. Það kviknar á tengivísinum.



Tengivísirinn blikkar á meðan tenging næst.

Stilling á þráðlausri nettengingu heimilistækisins

Fylgdu eftirfarandi skrefum til að endurstilla Wi-Fi tenginguna:

1. Athugaðu hvort kveikt sé á tengingaraðgerðinni.
2. Ýttu á og haltu inni hnöppunum fyrir hitastig kælis og frystis í 7 sekúndur. Heimilistækið pipir tvisvar.
3. Tengivísirinn byrjar að blikka og **AP** birtist á hitastigsvísi kælisins.

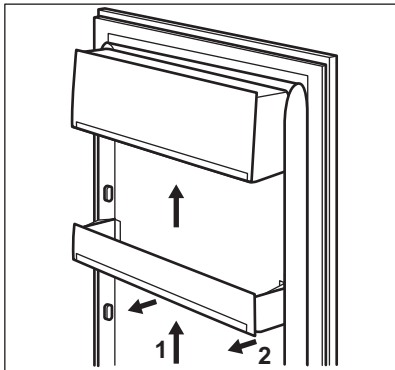
Til að ná aftur tengingu skaltu endurtaka skrefin sem lýst er í „Stilling á þráðlausri nettengingu heimilistækisins“ hlutanum.

6. DAGLEG NOTKUN

6.1 Hurðarhillurnar staðsettar

Svo hægt sé að geyma matarumbúðir af ýmsum stærðum, má staðsetja hurðasvalirnar á mismunandi hæðarstigum.

1. Togið hilluna smátt og smátt upp þar til hún losnar.
2. Endurstaðsetjið hana eftir þörfum.



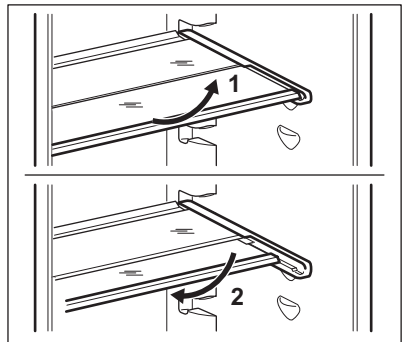
6.2 Færanlegar hillur

Hliðar kælikápsins eru búnar röðum af hillustoðum þannig að hægt sé að staðsetja hillurnar eftir þörfum.

Þetta heimilistæki er einnig búið hillu sem samanstendur af tveimur hlutum. Hægt er að setja framhluta hillunnar undir afturhlutann til að nýta betur plássíð.

Til að brjóta saman hilluna:

1. Takið framhlutann varlega út.
2. Rennið honum inni í neðri grindina og undir afturhlutann.





Færið ekki glerhilluna fyrir ofan grænmetisskúffuna, til að tryggja rétt loftstreymi.

6.3 GreenZone skúffa

Í neðsta hólfi kælisins er skúffa til að draga út.

Glerhillan í GreenZone er með búnaði sem stýrir þéttni þess og veitir ákjósanlegt rakastig í skúffunni.

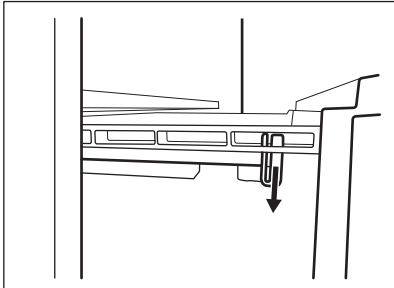
6.4 GreenZone fjarlæg



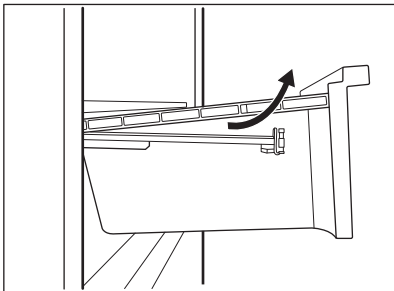
Ráðlagt er að tæma -skúffuna áður en hún er fjarlægð úr kælinum.

Fjarlægðu skúffuna:

1. Dragðu skúffuna út úr kælinum þannig að renniteinarnir séu að fullu dregnir út.
2. Ýttu á lok renniteinanna og lyftu upp framhluta skúffunnar.

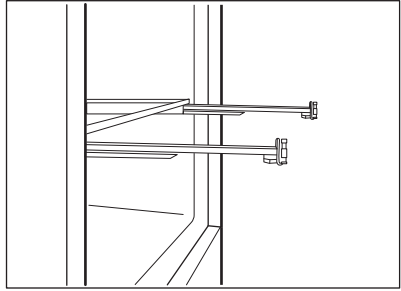


3. Dragðu skúffuna út um leið og þú lyftir henni upp og losaðu hana frá renniteinunum.

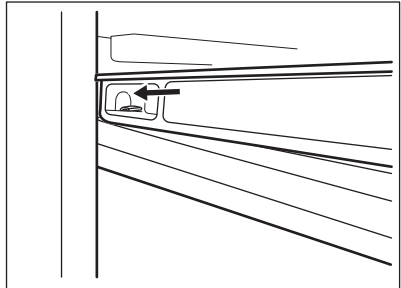
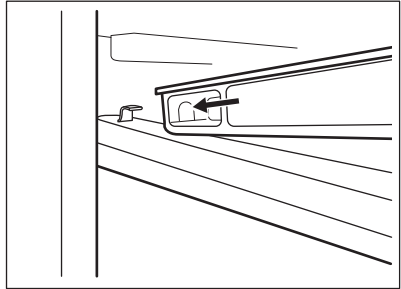


Til að setja saman aftur:

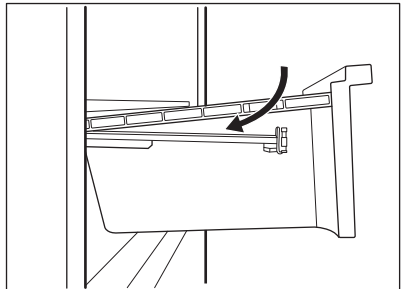
1. Dragðu renniteinana út að fullu.



2. Leggðu aftari hluta skúffunnar á renniteinana.



3. Haltu fremri hluta skúffunnar upp á meðan þú ýtir skúffunni inn.



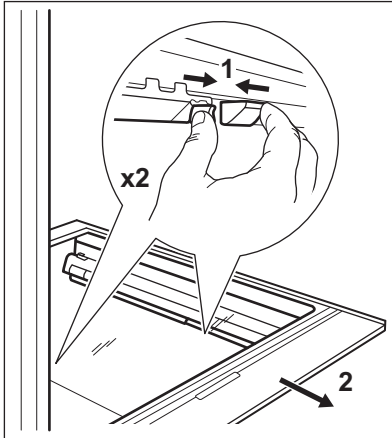
4. Ýttu fremri hluta skúffunnar niður.



Dragðu skúffuna aftur út og athugaðu að hún liggji rétt á bæði aftari og fremri krókunum.

Til að fjarlægja glerlokið af GreenZone hólfinu:

1. Aflæstu láréttum gripum samtímis á báðum hliðum.



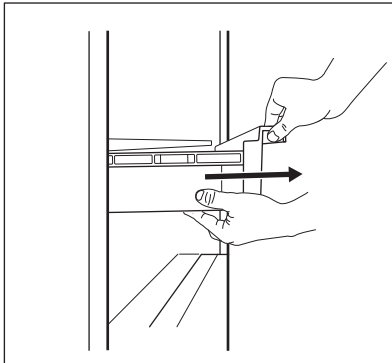
2. Dragðu glerhillustoðirnar í átt að þér.

6.5 ExtraChill fjarlæggt

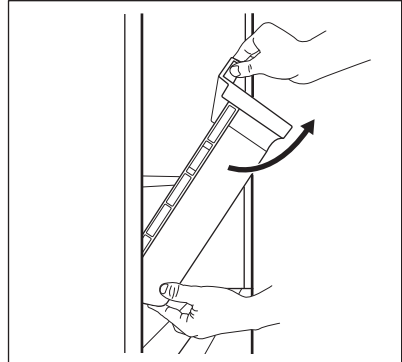
Það er skúffa fyrir ofan GreenZone skúffuna.

Fjarlægðu skúffuna:

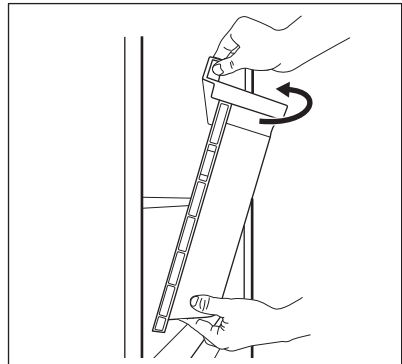
1. Dragðu skúffuna út úr kælikápnunum.



2. Lyftu upp framhluta skúffunnar.



3. Lyftu upp og snúðu skúffunni til að draga hana út úr heimilistækini.



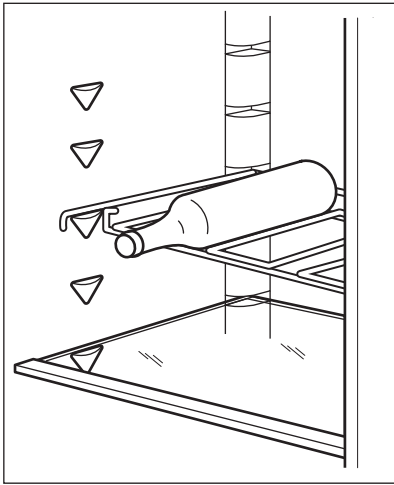
Hilluna fyrir ofan skúffuna er hægt að fjarlægja úr heimilistækini til að hreinsa.

6.6 Flöskugrind

Settu flöskurnar (með stútinn vísandi fram) í forstillta hilluna.



Settu aðeins lokaðar flöskur í hilluna.

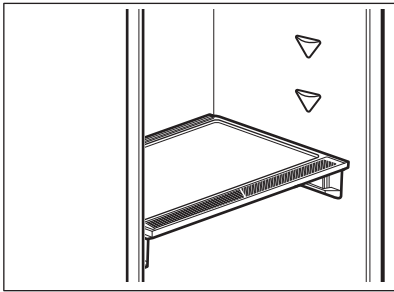


6.7 Rakastýring

Glerhillan í GreenZone skúffunni inniheldur búnað sem stillir þéttina og veitir ákjósanlegt rakastýring inni í skúffunni.

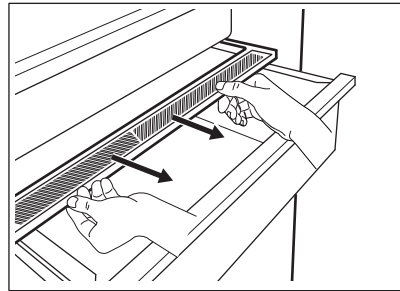


Ekki setja neinar matvörur á rakastýringarbúnaðinn.

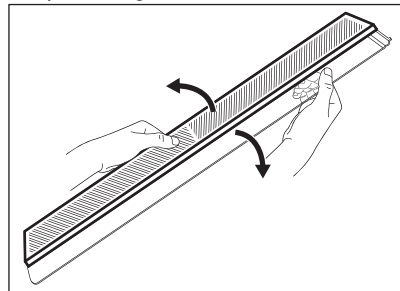


Til að fjarlægja rakastýringarbúnaðinn:

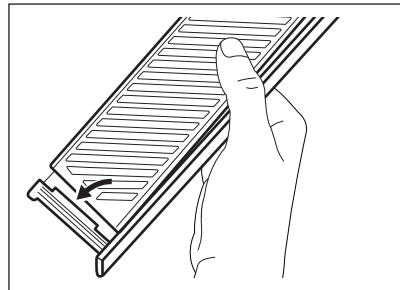
1. Opnaðu skúffuna fyrir neðan glerhilluna og dragðu út lokið.



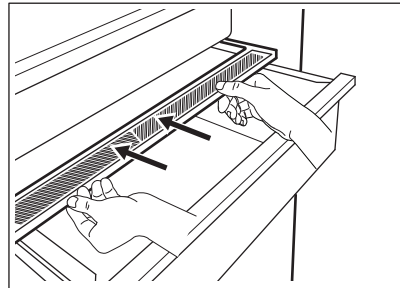
2. Ef þú þarft að endurnýja hvítu himnu búnaðarins skaltu taka í búnaðinn fyrir miðju og aðskilja himnuna frá lokinu með því að toga í lokið.



3. Settu nýja himnu á lokið með því að þrýsta brúnum himnunnar á lokið.



4. Settu rakastýringuna aftur í skúffuna.





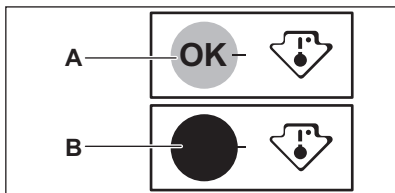
Eftir því hvaða magn ávaxta og grænmetis er geymt í GreenZone skúffunni gæti rakapétting myndast. Í slíku tilfalli skaltu fjarlægja rakapéttingu með mjúkum klút.

6.8 Vísir fyrir hitastig

Fyrir rétta geymslu á matvælum er kæliskápurinn búinn hitastigsvísi. Táknið á innri hlið heimilistækisins gefur til kynna kaldasta svæðið í kæliskápnnum.

Ef OK er sýnt (A) skaltu láta ferska matinn aftur á svæðið sem tilgreint er með tákni, ef ekki (B), skaltu bíða í að minnsta kosti 12 klst. og kanna hvort það sé OK (A).

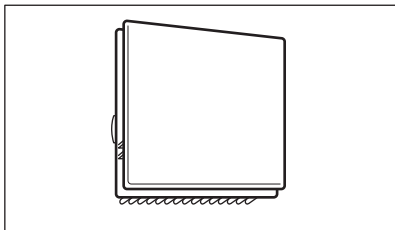
Ef það er enn ekki OK (B) skaltu stilla aftur á kaldari stillingu.



6.9 MULTIFLOW

Kæliskápsbólfið er með MULTIFLOW búnaði sem gerir hraða og skilvirka kælingu matvæla mögulega og viðhaldi á jafnara hitastigi í kælihólfinu.

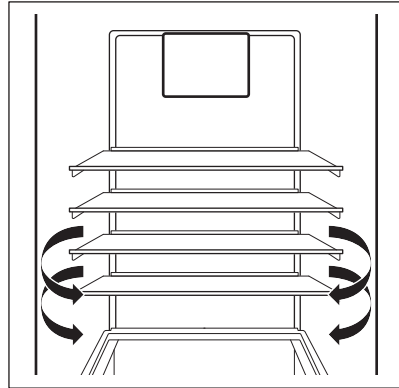
Þessi búnaður virkjust sjálfkrafa þegar þörf er á.



MULTIFLOW gengur aðeins þegar hurðin er lokað.



Ekki loka fyrir loftunargöt, til að betri kæling sé möguleg.



Ekki fjarlægja MULTIFLOW spjaldið. Notaðu ekki vatnsúða eða gufu til að hreinsa heimilistækið. Fyrir upplýsingar um hreinsun, sjá kaflann „Umhirða og hreinsun“.

6.10 CleanAir+-sía

Í heimilistækinu er CleanAir+ kolefnissía.

Sían hreinsar loftið og tekur óæskilega lykt úr kælihólfinu sem bætir geymslugæðin.

Við afhendingu er sían og plasthólf hennar í plastpoka með öðrum aukabúnaði (sjá hlutann „Að setja upp og skipta um CleanAir+ síuna“ í kaflanum „Umhirða og hreinsun“ fyrir uppsetningu).

6.11 Frysta fersk matvæli

Frystihólfíð hentar til þess að frysta fersk matvæli og geyma frosin og djúpfrosin matvæli til lengri tíma.

Til að frysta fersk matvæli skal virkja Extra Freeze aðgerðina minnst 4 klukkustundum áður en maturinn sem á að frysta er settur í frystihólfíð.

Dreifíð fersku matvælnum jafnt yfir fyrsta hólfíð eða skúffuna talið ofan frá.

Hámarks magn matvæla sem hægt er að frysta á sólarhring án þess að bæta við öðrum ferskum matvælum er tilgreint á merkiplötunni (merkingu sem staðsett er inni í heimilistækinu).

Að frystiferlinu loknu fer heimilistækið aftur í fyrri hitastillingu (sjá „Extra Freeze“ aðgerðina).

Til að fá frekari upplýsingar, sjá „Ábendingar um frystingu“

6.12 Geymsla á frosnum matvælum

Þegar heimilistækið er virkjað í fyrsta sinn eða eftir notkunarhlé skal láta það ganga í minnst 3 klukkustundir áður en vörurnar eru settar í hólfíð með kveikt á Extra Freeze aðgerðinni.

Frystiskúffurnar tryggja að það sé auðvelt og fljótlegt að finna matarpakkann sem þig vantar. Ef það á að geyma mikið magn matvæla, skal fjarlægja allar skúffur, fyrir utan neðstu skúffuna sem þarf að vera á sínum stað til að tryggja gott loftflæði.

Geymdu matvælin á hillunum ekki nær hurðinni en 15 mm.

VARÚÐ!

Ef þiðnun verður fyrir slysi, til dæmis af því að rafmagnið fer af, og rafmagnsleysið hefur varað lengur en gildið sem sýnt er á merkiplötunni undir „hækkunartími“, þarf að neyta þíðna matarins fljótt eða elda hann strax, kæla og frysta hann svo aftur.

6.13 Þíðing

Djúpfrosin matvæli eða frosin matvæli er hægt að afþýða í kælihólfinu eða við stofuhita fyrir notkun, eftir því hversu mikill tími gefst fyrir þessa aðgerð.

Litla bita má jafnvel elda þó þeir séu enn frosnir, beint úr frystinum: í slíku tilfelli tekur eldun lengri tíma.

6.14 Ísmolaframleiðsla

Með þessu heimilistæki fylgir einn eða fleiri bakkar til ísmolagerðar.



Ekki nota málmverkfæri til að losa bakkana úr frystinum.

1. Fylltu þessa bakka af vatni.
2. Settu ísbakkana í frystihólfíð.

7. ÁBENDINGAR OG GÓÐ RÁÐ

7.1 Ábendingar um orkusparnað

- Frystir: Innri uppsetning heimilistækisins er það sem tryggir skilvirkustu notkun orku.
- Kælir: Skilvirkasta notkun orku er tryggð í þeirri uppsetningu að skúffum í neðri hluta heimilistækisins og hillum sé jafnt dreift. Staðsetning kassa í hurð hefur ekki áhrif á orkunotkun.
- Ekki opna hurðina oft eða hafa hana opna lengur en nauðsyn krefur.
- Frystir: Því kaldari sem stillingin er, því meiri orku notar hún.

- Kælir: Ekki still á of háan hita til að spara orku nema eiginleikar matarins krefjst þess.
- Ef umhverfishitastigið er hátt, hitastýringin stillt á lágan hita og heimilistækið fullhlaðið, getur verið að þjappan sé stöðugt í gangi, en það getur valdið því að hrím eða ís hlaðist utan á eiminn. Í þessu tilfelli skaltu setja hitastýringuna í átt að hærra hitastigi til að leyfa sjálfvirka þíðingu og spara orku á þann hátt.
- Tryggðu gott loftflæði. Ekki hylja loftræstiristarnar eða götin.

- Gakktu úr skugga um að matvaran inn í heimilistækinu komi ekki í veg fyrir að loft geti flætt út um þar til gerð göt aftan á innanverðu heimilistækinu.


7.2 Ábendingar um frystingu

- Virkjaðu Extra Freeze aðgerðina að minnsta kosti 4 klukkustundum áður en matvælin eru látin í frystihólfíð.
- Áður en ferskur matur er frystur skal setja hann í álpappír, plastfilmu eða poka, loftþétt ílát með loki.
- Til að fá skilvirkari frystingu og þíðingu ætti að skipta matvælunum í minni skammta.
- Mælt er með því að láta merkingar og dagsetningar á öll frosin matvæli. Það mun hjálpa þér að þekkja matvælin og vita hvenær þarf að nota þau áður en þau fara að spillast.
- Maturinn á að vera ferskur þegar hann er frystur til að varðveita gæðin. Sérstaklega ætti að frysta ávexti og grænmeti eftir uppskeru til að varðveita öll næringarefni þeirra.
- Ekki frysta dósir eða flöskur með vökva, sérstaklega kolsýrða drykki - þær geta sprungið þegar þær eru frystar.
- Ekki láta heitan mat í frystihólfíð. Kældu niður að stofuhita áður en hann er látinn inn í hólfíð.
- Til að forðast hækun hitastigs fyrir matvæli sem þegar voru frosin skal ekki setja fersk, ófrosin matvæli beint við hlið þeirra. Láttu matvæli við stofuhita í þann hluta frystihólfsins þar sem eru engin frosin matvæli.
- Ekki borða ísmola, vatnsis eða íspinna strax eftir að þeir hafa verið teknir úr frysti. Hætta er á kali.
- Ekki endurfrysta þiðin matvæli. Ef matvælin eru þiðin skaltu elda þau, kæla og frysta.

7.5 Endingartími fyrir frystihólf

Tegund matvæla	Endingartími (mánuðir)
Brauð	3
Ávextir (fyrir utan sítrusávexti)	6 - 12
Grænmeti	8 - 10

7.3 Ábendingar um geymslu á frosnum mat

- Frystihólfíð er það sem er merkt með .
- Sé hærrí hiti stilltur fyrir heimilistækið getur það leitt til styttri endingartíma fyrir vörurnar.
- Allt frystihólfíð hentar fyrir geymslu á frosnum vörum.
- Skildu eftir nægilegt pláss í kringum matvælin til að loft nái að flæða vel um þau.
- Fyrir fullnægjandi geymsluskilyrði, skal skoða fyrningardagsetninguna á matarumbúðum.
- Það er mikilvægt að pakka matvælunum þannig að vatn, raki og vatnsgufa komist ekki að þeim.

7.4 Innkaupaábendingar

Eftir að hafa keypt í matinn:


- Gakktu úr skugga um að umbúðirnar séu ekki skaddaðar - maturinn gæti hafa spillst. Ef umbúðirnar eru bólgnar eða blautar, getur verið að þær hafi ekki verið geymdar við réttar aðstæður og hafi þegar byrjað að þiðna.
- Til að takmarka þíðingu ætti að kaupa frosnar vörur í lok verslunarleiðangursins og flytja þær í kælitösku eða hitastillandi tösku.
- Settu frosnu matvælin samstundis í frystinn þegar þú snýrð aftur úr búðinni.
- Ef maturinn hefur þiðnað, jafnvel bara að hluta, skal ekki endurfrysta hann. Neyta skal matarins eins fljótt og hægt er.
- Virtu síðasta neysludag og geymsluupplýsingarnar sem finna má á umbúðum.

Tegund matvæla	Endingartími (mánuð-ir)
Afgangar án kjöts	1 - 2
Mjólkurvörur:	
Smjör	6 - 9
Mjúkur ostur (t.d. mozzarella)	3 - 4
Harður ostur (t.d. parmesan, cheddar)	6
Sjávarfang:	
Feitur fiskur (t.d. lax, makrill)	2 - 3
Magur fiskur (t.d. þorskur, flundra)	4 - 6
Rækjur	12
Skelfiskur og kræklingur án skelja	3 - 4
Eldaður fiskur	1 - 2
Kjöt:	
Alifuglakjöt	9 - 12
Nautakjöt	6 - 12
Svínakjöt	4 - 6
Lambakjöt	6 - 9
Pylsur	1 - 2
Skinka	1 - 2
Afgangar með kjöti	2 - 3

7.6 Ábendingar um kælingu á ferskum matvælum

- Góð hitastilling sem varðveitir ferska matvöru er +4°C eða lægri. Sé hærrí hiti stilltur fyrir heimilistækið getur það leitt til styttri endingartíma fyrir matvælin.
- Láttu umbúðir yfir matvælin til að varðveita ferskleika þeirra og bragð.
- Notaðu alltaf lokuð ílát fyrir vökva og fyrir mat, til að forðast að lykt eða bragð safnist í hólfíð.
- Til að forðast víxlmengun á milli eldaðrar og óeldaðrar matvöru, skal þekja eldaða matvöru og halda henni aðskildri frá hrárrí matvöru.
- Mælst er til þess að matvörur séu þíddar inn í kælinum.
- Ekki stinga heitri matvöru inn í heimilistækið. Gakktu úr skugga um að matvaran hafi náð að kólna að stofuhita áður en gengið er frá henni.
- Til að koma í veg fyrir matarsóun skal alltaf setja ný matvæli fyrir aftan þau eldri.

7.7 Ábendingar um góða kælingu

- Ferskvöruhólfíð er það sem er merkt (á merkiplötunni) með .
- Kjöt (af öllum gerðum): Pakka inn í hentugar umbúðir og setja á glerhilluna fyrir ofan grænmetisskúffuna. Kjöt skal ekki geyma lengur en 1-2 daga.
- Ávextir og grænmeti: Hreinsa vandlega (fjarlægja alla mold) og geyma í sérstakri skúffu (grænmetisskúffunni).
- Ekki er æskilegt að geyma framandi ávexti eins og banana, mangó, papæjaldin, o.s.frv. í kælisrápnum.
- Grænmeti, svo sem tómata, kartöflur, lauk og hvítlauk, skal ekki geyma í kælisrápnum.
- Smjör og ostur: Setja í loftþéttar umbúðir eða pakka inn í álappír eða pólýþen-poka til að útiloka eins mikið loft og hægt er.
- Flöskur: Loka með loki og setja í flöskuhilluna í hurðinni, eða (ef til staðar) í flöskurekkann.
- Skoðaðu alltaf „best fyrir“ dagsetningu varanna til að vita hversu lengi á að geyma þær.

8. UMHIRÐA OG HREINSUN

AÐVÖRUN!

Sjá kafla um öryggismál.

8.1 Almennar viðvaranir

VARÚÐ!

Takið heimilistækið úr sambandi áður en það gengst undir viðhald.

i

Í kælieiningu þessa heimilistækis eru vetniskolefni; því mega aðeins löggildir tæknimenn framkvæma viðhald og endurhleðslu á því.

i

Aukahluti og íhluti heimilistækisins er ekki hægt að þvo í uppþvottavél.

8.2 Innra byrði hreinsað

Áður en heimilistækið er notað í fyrsta sinn skal þvo innra byrðið og alla innri fylgihluti með volgu vatni og hlutlausri sápu til að losna við dæmigerða lykt af nýrri vöru og þurrka síðan allt vandlega.

VARÚÐ!

Ekki nota þvottaefni, slípiduft, klór eða olíublönduð hreinsiefni, þar sem það skemmir áferðina.

VARÚÐ!

Aukahlutir og hlutar heimilistækisins eru ekki ætlaðir fyrir uppþvottavélar.

VARÚÐ!

Hreinsaðu stjórnborðið með rökum klút. Ekki nota neitt þvottaefni. Eftir að hreinsun er lokið skaltu þurrka stjórnborðið með mjúkum klút.

8.3 Reglubundin hreinsun

VARÚÐ!

Ekki toga í, færa til, eða skemma nein rör og/eða snúrur inni í heimilistækinu.

VARÚÐ!

Ekki skemma kælikerfið.

VARÚÐ!

Þegar þú færir skápinn til, skaltu lyfta fremra horninu til að koma í veg fyrir að rispa gólfíð.

Hreinsaðu búnaðinn reglulega:

1. Hreinsaðu innra byrðið og fylgihluti með volgu vatni og hlutlausri sápu.
2. Skoðaðu hurðarþéttingar reglulega og strjúktu af þeim svo þær séu hreinar og lausar við óhreinindi.
3. Skolaðu og þurrkaðu vandlega. Lægstu hilluna, sem aðskilur kælihölfíð frá hinum hlutum skápsins, má aðeins fjarlægja til að hreinsa. Dragðu hilluna beint út til að fjarlægja hana. Hlíðarplöturnar fyrir ofan skúffurnar er hægt að fjarlægja til að hreinsa.

8.4 Affrýsting frystisins

Frystihólfíð er hrímaust. Það þýðir að ekkert hrím safnast upp þegar það er í notkun, hvorki á innri veggjum né á matvælunum.

8.5 Affrýsting kælisins

Þíðing kælihölsins er sjálfvirk. Vatnið sem þéttist rennur inn í móttakara á þjöppunni og gufar upp. Ekki er hægt að fjarlægja móttakarann.

8.6 Að setja upp og skipta um CleanAir+ síuna

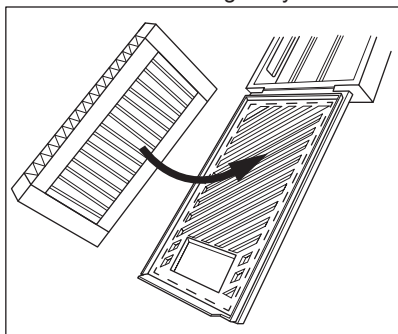
CleanAir+ sían er virk kolefnissía sem dregur í sig slæma lykt og gerir það að verkum að hægt er að viðhalda besta bragði og lykt matvæla án þess að hætta sé á víxlmengun á öþef.



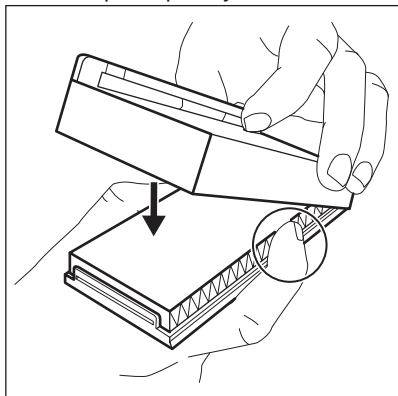
Meðhöndlaðu loftsiuna af varkárni til að forðast að yfirborð hennar rispist. Við afhendingu er kolefnissían í plastpoka til að viðhalda frammistöðu hennar.

Settu loftsiuna upp áður en heimilistækið er virkjað.

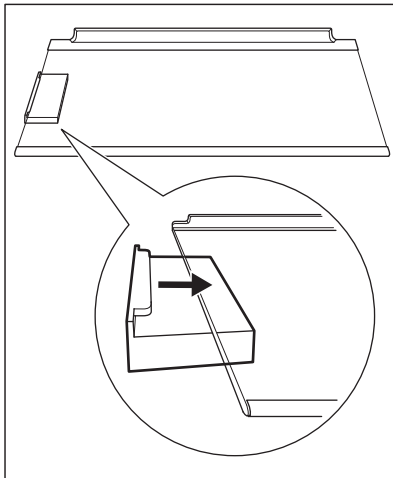
1. Taktu loftsiuna úr plastpokanum.
2. Opnaðu plasthólfíð og settu hrjúft yfirborðið á grindina og komdu síunni fyrir á merktu svæði á grófu yfirborðinu.



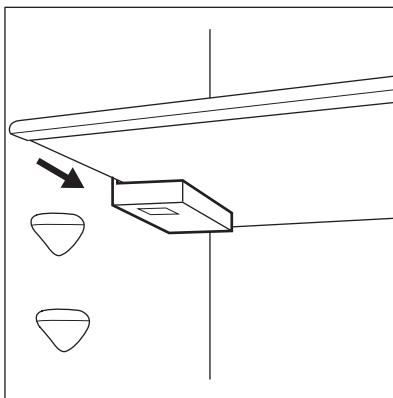
3. Haltu síunni niðri á meðan plasthólfínu er lokað þar til þú heyrir smell.



4. Fjarlægðu efstu glerhilluna úr kælisrápnum. Renndu plasthólfínu með loftstíunni á vinstri hlið glerhillunnar.

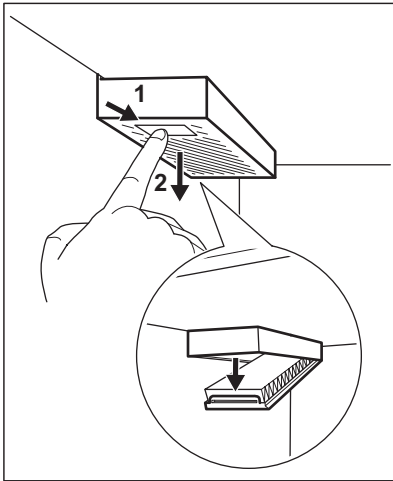


5. Settu glerhilluna aftur í kælisrápinn. Varastu að rekast í síuna þegar hillan er sett aftur í.

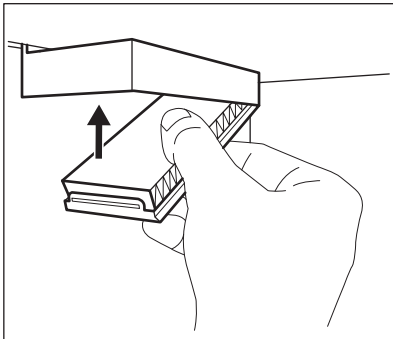


Skipt um loftsiuna

1. Opnaðu plasthólfíð.



2. Dragðu út notuðu loftsíuna.
3. Taktu nýja loftsíu úr plastpokanum og settu hana í skúffuna.
4. Lokaðu plasthólfinu.



Fyrir bestan árangur skaltu setja plasthólfið á réttan stað (vinstra megin við glerhilluna) og skipta um loftsíuna á sex mánaða fresti.



Loftsían er aukahlutur og fellur því ekki undir ábyrgð.
Hægt er að kaupa nýjar loftsíur hjá staðbundnum söluaðila.

8.7 Tímabil án notkunar

Þegar heimilistækið er ekki í notkun til lengri tíma, skal gripa til eftirfarandi ráðstafana:

1. Aftengja tækið frá rafmagni.
2. Fjarlægja allan mat.
3. Hreinsa heimilistækið og alla aukahluti þess.
4. Hafa hurðirnar opnar til að koma í veg fyrir að vond lykt myndist.

9. BILANALEIT

⚠ AÐVÖRUN!

Sjá kafla um öryggismál.

9.1 Hvað skal gera ef...

Vandamál	Möguleg ástæða	Lausn
Heimilistækið virkar ekki.	Slökkt er á heimilistækinu.	Kveiktu á heimilistækinu.

Vandamál	Möguleg ástæða	Lausn
	Rafmagnsklói er ekki rétt tengd við rafmagnsinnstunguna.	Tengdu klóna við rafmagnsinnstunguna með réttum hætti.
	Það er ekkert rafmagn á rafmagnsinnstungunni.	Tengdu annað raftæki við rafmagnsinnstunguna. Hafðu samband við faglærðan rafvirkja.
Heimilistækið gefur frá sér mikinn hávaða.	Heimilistækið er ekki með réttan stuðning.	Kannaðu hvort heimilistækið sé stöðugt.
Heyranleg eða sjónræn aðvörün er í gangi.	Nýlega hefur verið kveikt á skápnunum.	Sjá „Aðvörün um háan hita“.
	Hitastig heimilistækisins er of hátt.	Sjá „Aðvörün um háan hita“.
Heyranleg eða sjónræn aðvörün er í gangi.	Hurðin hefur verið skilin eftir opin.	Lokaðu hurðinni.
Þjappan gengur samfelld.	Hitastig er rangt stillt.	Sjá „Stjórnborð“ kaflann.
	Margar matvörur voru settar inn á sama tíma.	Bíddu í nokkrar klukkustundir og athugaðu svo hitastigið aftur.
	Stofuhitinn er of hár.	Sjá „Uppsetning“ kaflann.
	Matvara sem látin var í heimilistækið var of heit.	Leyfðu matvörunni að kólna að stofuhita áður en hún er látin til geymslu.
	Hurðin er ekki nægilega vel lokað.	Sjá „Hurðinni lokað“ hlutann.
	Kveikt er á Extra Freeze aðgerðinni.	Sjá kaflann „Extra Freeze Aðgerð“.
	Kveikt er á Extra Cool aðgerðinni.	Sjá kaflann „Extra Cool Aðgerð“.
Þjappan fer ekki strax í gang eftir að ýtt er á „Extra Freeze“ eða „Extra Cool“, eða eftir að hitastigi er breytt.	Þjappan ræsist eftir nokkurn tíma.	Þetta er eðlilegt, engin villa hefur komið upp.
Hurðin er skökk eða rekst í loftræstiristina.	Tækið er ekki lárétt.	Sjá leiðbeiningar um uppsetningu.
Hurð opnast ekki auðveldlega.	Þú reyndir að opna hurðina aftur strax eftir að þú lokaðir henni.	
Ljósíð virkar ekki.	Ljósíð er í reiðuham.	Lokaðu og opnaðu hurðina.
	Ljósíð er bilað.	Hafðu samband við næstu viðurkenndu þjónustumiðstöð.
Það er of mikið hrím og klaki.	Hurðin er ekki nægilega vel lokað.	Sjá „Hurðinni lokað“ hlutann.
	Þéttiborðinn er afmyndaður eða óhræinn.	Sjá „Hurðinni lokað“ hlutann.
	Matvöru er ekki rétt pakkað.	Pakkaðu matvörunni betur.
	Hitastig er rangt stillt.	Sjá „Stjórnborð“ kaflann.
	Heimilistækið er fullhlaðið og er stillt á lægsta hitastig.	Stilltu hærra hitastig. Sjá „Stjórnborð“ kaflann.

Vandamál	Möguleg ástæða	Lausn
	Hitastigið sem stillt er á heimilistæk- inu er of lágt og umhverfishitastig er of hátt.	Stilltu hærra hitastig. Sjá „Stjórn- borð“ kaflann.
Vatnið flæðir á afturplötu kælikáps- sins.	Á meðan á sjálfvirka affrystingarferli- nu stendur, bræðir það frostið á af- turplötunni.	Þetta er í lagi.
Of mikið vatn þéttist á afturvegg kælikápsins.	Hurðin var opnuð of oft.	Opnaðu hurðina aðeins þegar nauðsynlegt er.
	Hurðinni var ekki lokað til fulls.	Gakktu úr skugga um að hurðinni sé lokað til fulls.
	Geymdum mat var ekki pakkað.	Pakkaðu mat í hentugar pakkningar áður en þú setur hann í heimilistæk- ið.
Ekki er hægt að stilla hitastigið.	Kveikt er á Extra Freeze aðgerð eða Extra Cool aðgerð.	Slökktu handvirkt á Extra Freeze að- gerð eða Extra Cool aðgerð , eða bíddu þar til aðgerðin afvirkjast sjálf- krafa til þess að stilla hitastigið. Sjá kaflana „Extra Freeze Aðgerð“ eða „Extra Cool Aðgerð“.
Hitastig heimilistækisins er of lágt/ hátt.	Hitastigið er ekki rétt stillt.	Stilltu hitastigið hærra/lægra.
	Hurðin er ekki nægilega vel lokað.	Sjá „Hurðinni lokað“ hlutann.
	Hitastig matvörunnar er of hátt.	Láttu hitastig matvörunnar lækka að stofuhita áður en hún er geymd.
	Of mikið af matvöru er geymt í einu.	Bættu við minna af matvöru í einu.
	Hurðin hefur verið opnuð of oft.	Opnaðu hurðina aðeins ef nauðsyn krefur.
	Kveikt er á Extra Freeze aðgerðinni.	Sjá kaflann „Extra Freeze Aðgerð“ .
	Kveikt er á Extra Cool aðgerðinni.	Sjá kaflann „Extra Cool Aðgerð“ .
	Það er ekkert kalt loftflæði í heimilis- tækinu.	Gakktu úr skugga um að það sé kalt loftflæði í heimilistækinu. Sjá „Ábendingar og góð ráð“ kaflann.



Ef ráðið skilar ekki óskaðri niðurstöðu
skaltu hringja í næstu viðurkennda
þjónustumiðstöð.

9.2 Skipt um ljósið

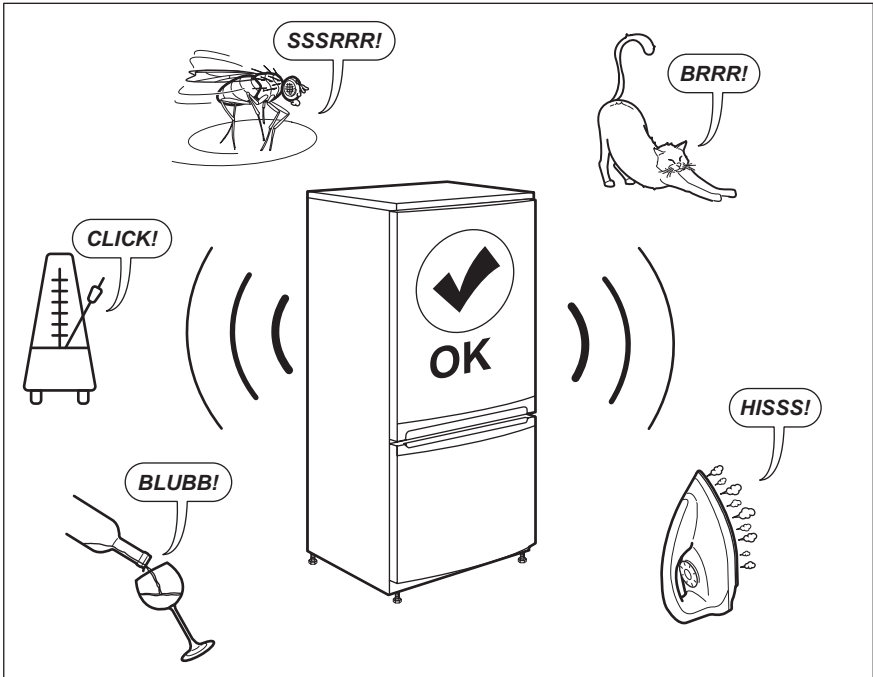
Heimilistækið er búið ljósdíóðuljósi með
langan endingartíma.

Aðeins viðgerðarþjónustuaðilar mega skipta
um ljósabúnaðinn. Hafið samband við
viðurkennda þjónustumiðstöð.

9.3 Hurðinni lokað

1. Þrífið þéttiborða hurðarinnar.
2. Stillið af hurðina ef nauðsynlegt er. Sjá
kaflann „Uppsetning“.
3. Ef nauðsynlegt reynist, skal skipta um
ónýta þéttiborða. Til að fá frekari
upplýsingar skaltu hafa samband við
viðurkennda þjónustumiðstöð.

10. HÁVAÐI



11. TÆKNILEGAR UPPLÝSINGAR

Tæknilegar upplýsingar eru á merkiplötunni, á ytri eða innri hlið heimilistækisins og á orkumerkimiðanum.

QR-kóðinn á orkumerkingunni sem fylgir þessu tæki, gefur upp tengil á vefsíðu varðandi upplýsingar um frammistöðu tækisins í gagnagrunni EU EPREL. Geymdu orkumerkimiðann til uppflettingar ásamt notandahandbókinni og öllum öðrum skjölum sem fylgja með þessu heimilistæki.

Það er einnig mögulegt að nálgast sömu upplýsingar í EPREL með því að nota tengilinn: <https://eprel.ec.europa.eu> og gerðarheiti og framleiðslunúmer sem finna má á merkiplötu heimilistækisins.


Skoðaðu tengilinn www.theenergylabel.eu varðandi ítarlegar upplýsingar um orkumerkingar.


12. UPPLÝSINGAR FYRIR PRÓFUNARSTOFNANIR

Uppsetning og undirbúningur heimilistækisins fyrir EcoDesign-vottun verður að samræmast EN 62552 (EU). Loftræstingarkröfur, stærðir skotsins og lágmarksbil að aftan verður að

vera eins og tilgreint er í „Uppsetning“ í þessari notandahandbók. Hafðu samband við framleiðanda fyrir allar frekari upplýsingar, þar með talið hleðsluáætlanir.

13. UMHVERFISMÁL

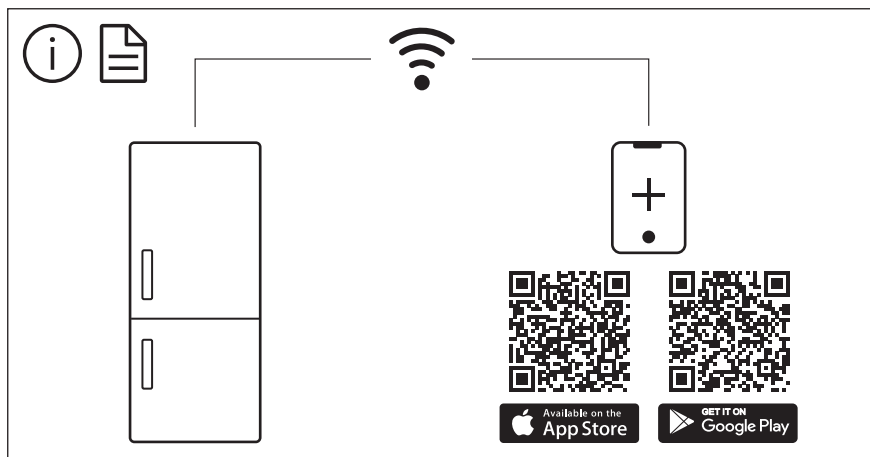
Endurvinnna þarf öll efni merkt táknu . Setjið umbúðirnar í viðeigandi sorpilát til endurvinnslu. Leggið ykkar að mörkum til verndar umhverfinu og heilsu manna og dýra og endurvinnið rusl sem fylgir raftækjum og rafrænum búnaði. Hendið ekki

heimilistækjum sem merkt eru með táknu  í venjulegt heimilirusl. Farið með vöruna í næstu endurvinnslustöð eða hafið samband við sveitarfélagið.









The software in this product contains components that are based on free and open source software. Electrolux gratefully acknowledges the contributions of the open software and robotics communities to the development project.

To access the source code of these free and open source software components whose license conditions require publishing, and to see their full copyright information and applicable license terms, please visit:
<http://electrolux.opensoftwarerepository.com> (folder NIUS)