



## Installation Guide

Quality, Design and Innovation



[home.liebherr.com/fridge-manuals](http://home.liebherr.com/fridge-manuals)



# LIEBHERR

# General safety instructions

## Contents

<b>1</b>	<b>General safety instructions.....</b>	<b>2</b>
<b>2</b>	<b>Installation conditions.....</b>	<b>2</b>
2.1	Location.....	2
2.2	Building the appliance into kitchen units.....	2
2.3	Installing multiple appliances.....	3
2.4	Mains connection.....	3
<b>3</b>	<b>Installation dimensions.....</b>	<b>4</b>
<b>4</b>	<b>Ventilation requirements.....</b>	<b>4</b>
<b>5</b>	<b>Transporting the device.....</b>	<b>4</b>
<b>6</b>	<b>Unpacking the appliance.....</b>	<b>4</b>
<b>7</b>	<b>Mounting wall spacers.....</b>	<b>4</b>
<b>8</b>	<b>Setting up the appliance.....</b>	<b>4</b>
<b>9</b>	<b>Setting up the appliance so that it is level.....</b>	<b>5</b>
<b>10</b>	<b>After setting up.....</b>	<b>5</b>
<b>11</b>	<b>Disposing of packaging.....</b>	<b>5</b>
<b>12</b>	<b>What the symbols mean.....</b>	<b>5</b>
<b>13</b>	<b>Door hinge change.....</b>	<b>6</b>
13.1	Removing the top door.....	6
13.2	Removing the bottom door.....	8
13.3	Moving the upper bearing parts to the other side.....	8
13.4	Moving the central bearing parts to the other side.....	9
13.5	Moving the lower bearing parts to the other side.....	9
13.6	Moving the door bearing parts to the other side.....	9
13.7	Fitting the bottom door.....	11
13.8	Fitting the top door.....	11
13.9	Aligning the doors.....	11
13.10	Fitting the covers.....	12
<b>14</b>	<b>Connecting the appliance.....</b>	<b>12</b>

The manufacturer works constantly on the further development of all the types and models. Therefore please understand that we have to reserve the right to make design, equipment and technical modifications.




To get to know all the benefits of your new appliance, please read the information contained in these instructions carefully.

The instructions apply to several models. Differences may occur. Text relating only to specific appliances is marked with an asterisk (\*).

Instructions are marked with a ►, and results are marked with a ▷.

## 1 General safety instructions

- The socket must be easily accessible so that the appliance can be quickly disconnected from the supply in an emergency. It must be outside the area of the rear of the appliance.

	<b>DANGER</b>	identifies a situation involving direct danger which, if not obviated, may result in death or severe bodily injury.
	<b>WARNING</b>	identifies a dangerous situation which, if not obviated, may result in death or severe bodily injury.
	<b>CAUTION</b>	identifies a dangerous situation which, if not obviated, may result in minor or medium bodily injury.

	<b>NOTICE</b>	identifies a dangerous situation which, if not obviated, may result in damage to property.
	<b>Note</b>	identifies useful information and tips.

## 2 Installation conditions



### WARNING

Fire hazard due to dampness!

If live parts or the mains lead become damp this may cause short circuits.

- The appliance is designed for use in enclosed areas. Do not operate the appliance outdoors or in areas where it is exposed to splash water or damp conditions.

Intended use

- Install and use the appliance in indoor spaces only.

### 2.1 Location



### WARNING

Leaking coolant and oil!

Fire. The coolant contained in the appliance is eco-friendly, but also flammable. The oil contained in the appliance is flammable. Escaping coolant and oil can ignite if the concentration is high enough and in contact with an external heat source.

- Do not damage the pipelines of the coolant circuit and the compressor.

- If the appliance is installed in a very humid environment, condensation can build up on the outside of the unit.

Always make sure the installation location is well ventilated .

- The more coolant there is in the appliance, the larger the room in which the appliance is installed must be. If the room is too small, any leak may create a flammable mixture of gas and air. For each 8 g of coolant the installation space must be at least 1 m<sup>3</sup>. Information on the coolant is on the model plate inside the appliance.

#### 2.1.1 Supporting floor

- The floor of the installation site must be horizontal and even.
- The surface supporting the appliance must be at the same level as the surrounding floor.

#### 2.1.2 Positioning

- Do not install the appliance in direct sunlight, next to an oven, radiator or similar.
- Install the appliance with the rear panel up against the wall and always use the supplied wall spacers (see below).

### 2.2 Building the appliance into kitchen units

The appliance can be built into kitchen units.

## 2.3 Installing multiple appliances

### NOTICE

Risk of damage due to condensate!

► Do not install the appliance directly alongside a further refrigerator/freezer.

These appliances are designed for a variety of installation options. Combine appliances only if the appliance is suitable. The following table shows the installation options by model:

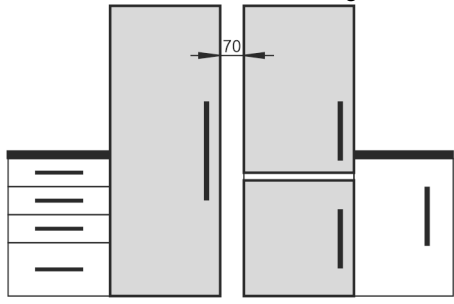
Installation option	Model
Single	All models
Side-by-side (SBS)	Model names starting with <b>S...</b> See the supplied SBS installation guide for the correct positioning.
Side-by-side with a gap of 70 mm between appliances Otherwise condensation will build up between the units.	All models without side wall heating 

Fig. 2

Assemble the appliances together, following their specific installation instructions.

## 2.4 Mains connection



### WARNING

Risk of fire due to short circuit!

If the mains cable/connector of the appliance or of another appliance touch the rear of the appliance, the mains cable/connector may be damaged by the appliance vibrations, leading to a short circuit.

► Stand the appliance so that it is not touched by connectors or main cables.

► Do not plug the appliance or any others into sockets located near the rear of the appliance.

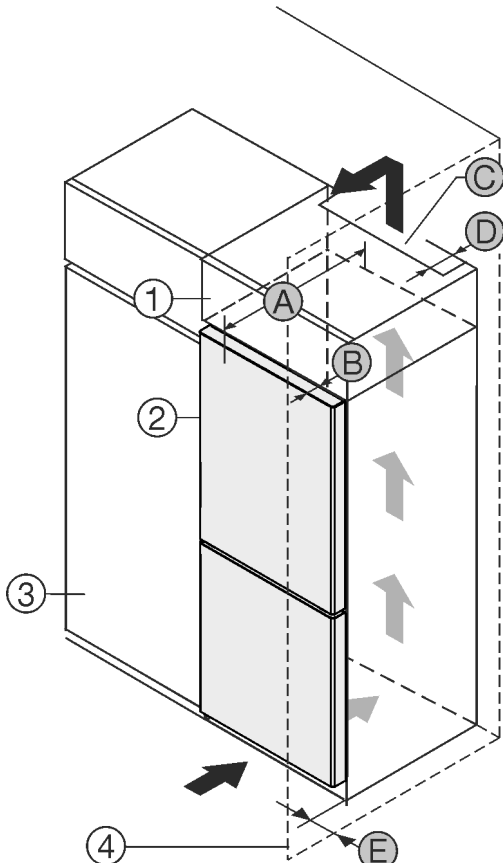


Fig. 1

- (1) Top cupboard
- (2) Appliance
- (3) Kitchen cabinet
- (4) Wall
- (A) Appliance depth
- (B) Door depth
- (C) Ventilation cross section
- (D) Distance to the back of the appliance
- (E) Distance to the side of the appliance

(A) Appliance depth

Set up the appliance directly next to the kitchen cabinet Fig. 1 (3).\*

At the back of the top cabinet, there must be an air outlet shaft with the depth Fig. 1 (D), spanning the entire width of the cabinet.

The ventilation cross-section Fig. 1 (C) must be maintained under the ceiling.

If the appliance is set up with the hinges next to a wall Fig. 1 (4), the distance between the appliance and the wall must be at least 40 mm. This is how far the handle protrudes when the door is open.

The appliance must protrude by the depth of the door Fig. 1 (B) from the front of the cabinet so that the doors can be opened fully. The appliance may protrude further depending on the depth of the kitchen cabinets Fig. 1 (3) and whether wall spacers are used.\*

A [mm]	B [mm]	C [cm <sup>2</sup> ]	D [mm]	E [mm]
675 <sup>x</sup>	75	min.300	min.50	min.40

The appliance must protrude by the depth of the door (B) from the front of the cabinet so that the doors can be opened fully. The appliance may protrude further depending on the depth of the kitchen cabinets Fig. 1 (3) and whether wall spacers are used.\*

Ensure that the following conditions are met:

- Recess dimensions are adhered to .
- Ventilation requirements are complied with (see 4 Ventilation requirements) .

# Installation dimensions

## 3 Installation dimensions

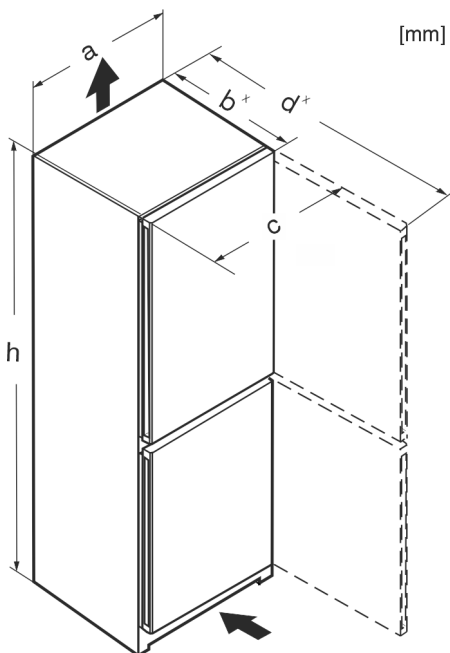


Fig. 3

	h	a	b	c	d
CN(sf)(d)5023	1655	597	675 <sup>x</sup>	609	1217 <sup>x</sup>
CN(sf)(be)(f)(d)5203	1855	597	675 <sup>x</sup>	609	1217 <sup>x</sup>
CN(sf)(sd)(d)5223	1855	597	675 <sup>x</sup>	609	1217 <sup>x</sup>
CN(sf)(d)5204	1855	597	675 <sup>x</sup>	609	1217 <sup>x</sup>
CN(sf)(d)(f)5703	2015	597	675 <sup>x</sup>	609	1217 <sup>x</sup>
CN(sf)(sd)(pc)(bb)(d)(f)5723	2015	597	675 <sup>x</sup>	609	1217 <sup>x</sup>
CN(gw)(d)(f)5723	2015	597	682 <sup>x</sup>	609	1217 <sup>x</sup>
CN(sf)(d)5724	2015	597	675 <sup>x</sup>	609	1217 <sup>x</sup>
CN(sf)(d)(f)5704	2015	597	675 <sup>x</sup>	609	1217 <sup>x</sup>
CBN(sf)(pc)(bb)(d) 5223	1855	597	675 <sup>x</sup>	609	1217 <sup>x</sup>
CBNsf 522i	1855	597	675 <sup>x</sup>	609	1217 <sup>x</sup>
CBN(sf)(d) 5723	2015	597	675 <sup>x</sup>	609	1217 <sup>x</sup>

<sup>x</sup> For appliances with supplied wall spacers, the dimensions must be increased by 15 mm .

## 4 Ventilation requirements

### NOTICE

Danger of overheating due to insufficient air ventilation! The compressor may be damaged if there is insufficient air ventilation.

- ▶ Take care to ensure adequate air ventilation.
- ▶ Observe the ventilation requirements.

If the appliance is integrated into a fitted kitchen, the following ventilation requirements must be adhered to:

- There are spacer fins at the back of the appliance to provide sufficient ventilation. Make sure that these are not positioned in recesses or openings.
- As a rule, the larger the ventilation space the more efficiently the appliance can run.

## 5 Transporting the device

- ▶ Transport the appliance only in a packaged condition.
- ▶ Transport the appliance upright.
- ▶ Do not transport the appliance on your own.

## 6 Unpacking the appliance

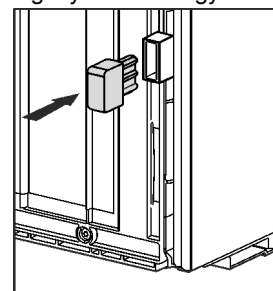
Before you connect the appliance, report any damage immediately to the delivery company.

- ▶ Check the appliance and the packaging for damage during transport. Contact the supplier immediately if you suspect any level of damage.
- ▶ Remove all materials from the back or the side walls of the appliance that may prevent proper installation or ventilation.
- ▶ Remove all protective films from the appliance. Do not use sharp or pointed objects for this.
- ▶ Take the power cable from the rear of the appliance. Remove the cable brackets when you do this, otherwise there will be noise caused by vibrations!

## 7 Mounting wall spacers

The wall spacers must be used to achieve the declared energy consumption value and to prevent condensation in the event of high surrounding humidity. This increases the appliance depth by approx. 15 mm. The appliance will work perfectly well without the spacers but will consume slightly more energy.

- ▶ If your appliance is supplied with wall spacers, mount these on the back of the appliance, bottom left and right.



## 8 Setting up the appliance



### CAUTION

Risk of injury!

- ▶ The appliance must be transported to its place of installation by two people.



### CAUTION

Risk of injury and damage!

The door may strike the wall and be damaged as a result. In the case of glass doors, the damaged glass may cause injuries!

- ▶ Protect the glass door from striking against the wall. Fit a door stop, e.g. one made of felt, to the wall.
- ▶ A limiter restricting door opening to 90° can be ordered from the aftersales service.



### WARNING

Unstable appliance!

Risk of injury and damage. The appliance can topple over.

- ▶ Attach the appliance according to the operating instructions.

# Setting up the appliance so that it is level



## WARNING

Fire hazard and danger of damage!

- ▶ Do not place appliances emitting heat e.g. microwaves, toasters etc. on the appliance!

Ensure that the following conditions are met:

- Only move the device when it is not loaded.
- Only set up the appliance when someone is available to help.

## 9 Setting up the appliance so that it is level



## CAUTION

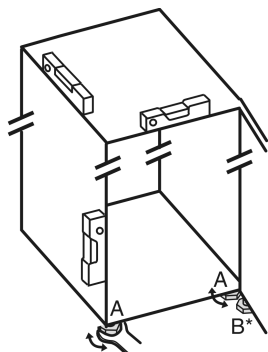
Risk of injury or damage from the appliance tipping or the door falling open!

If the additional adjustable foot on the base support is not correctly positioned on the floor, there is a risk of the door falling open or the appliance tipping. This can lead to injury or property damage.

- ▶ Unscrew the additional adjustable foot on the support until it reaches the floor.
- ▶ Then turn it another 90°.

- ▶ Set up the appliance so that it is level using the supplied open-ended wrench to turn the adjustable feet (A) and a spirit level.

- ▶ Then prop up the door: Turn the adjustable foot (B) on the bearing bracket until it comes into contact with the floor, then turn an additional 90°.



- ▶ Then prop up the door: Turn the adjustable foot on the bearing bracket (B) using the open-ended wrench SW10 until it comes into contact with the floor, then turn an additional 90°.

## 10 After setting up

- ▶ Take off the protective film from the exterior of the appliance.
- ▶ Remove all transport safety components.
- ▶ Clean the appliance .
- ▶ Note the type (model, number), appliance designation, appliance/serial number, purchase date and dealer's address in the fields provided for this .

## 11 Disposing of packaging



## WARNING

Danger of suffocation due to packing material and plastic film!

- ▶ Do not allow children to play with packing material.

The packaging is made of recyclable materials:

- corrugated board/cardboard
- expanded polystyrene parts
- polythene bags and sheets
- polypropylene straps
- nailed wooden frame with polyethylene panel\*














- ▶ Take the packaging material to an official collecting point.

## 12 What the symbols mean

	Risk of injury here! Follow the safety notes!
	These instructions apply to a range of models. Follow this step only if it applies to your appliance.
	To install, please follow the detailed description in the Guide.
	This section applies either to a single-door appliance or a double-door appliance.
	Choose one of the options: Appliance with right-hinged door or appliance with left-hinged door.
	Installation step required if your model has IceMaker and/or InfinitySpring.
	Just loosen the screws or tighten them slightly.
	Tighten the screws.
	Check to see if the next step applies for your model.
	Check the correct assembly/seat of the components used.
	Measure the specified measurement and adjust if necessary.
	Tool for assembly: Metre rule
	Tool for assembly: Cordless screwdriver and attachments



# Door hinge change

	Tool for assembly: Spirit level
	Tool for assembly: Size 7 and size 10 spanners
	Two people are required for this step.
	Carry out this step at the marked place on the appliance.
	Aids for assembly: String
	Aids for assembly: Square
	Aids for assembly: Screwdriver
	Aids for assembly: Scissors
	Aids for assembly: Non-permanent marker pen
	Accessory kit: Remove components
	Dispose of components that are no longer needed.

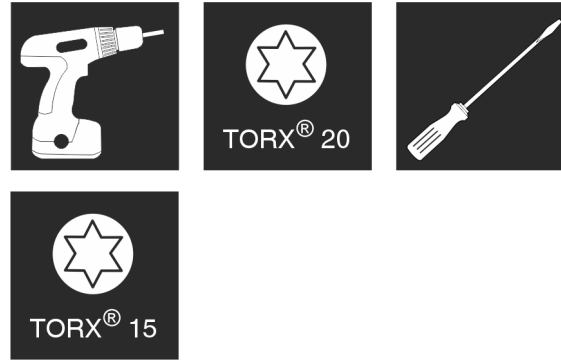


Fig. 4



## WARNING

Danger of injury due to door falling out!

If the bearing parts are not screwed on tightly enough, the door may fall out. This can result in serious injuries. In addition, the door may not close with the result that the appliance does not cool properly.

- ▶ Screw on the bearing brackets/bearing pins tightly with 4 Nm.
- ▶ Check all screws and retighten them if necessary.

These sections apply for appliances **without a soft stop mechanism**:

- For appliances **without** a soft stop mechanism
- For all appliances

## NOTICE

Risk of condensation damage for Side-by-Side appliances!\*  
Certain appliances can be set up as Side-by-Side combinations (two appliances next to each other).

If your appliance is a **Side-by-Side (SBS) appliance**:

- ▶ Set up the SBS combination in accordance with the enclosed document.

If the **positioning of the devices is stipulated**:

- ▶ Do not change the door hinges over.

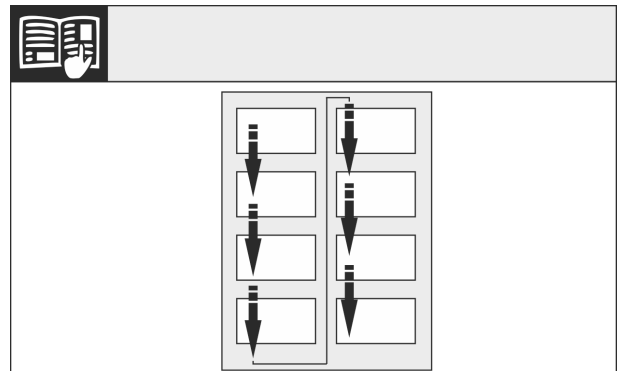


Fig. 5

Remember the reading direction.

## 13 Door hinge change

### Tools

### 13.1 Removing the top door

#### Note

- ▶ Remove any food from the door racks before removing the door, so that no food falls out.

**For appliances without a soft stop mechanism:**

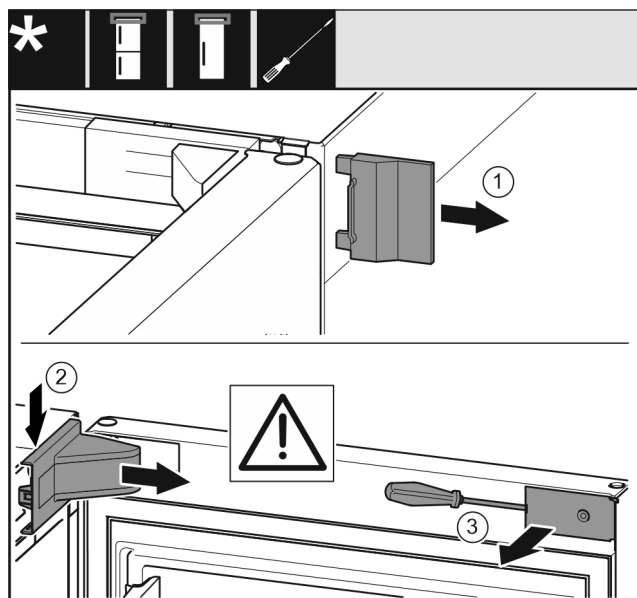


Fig. 6

- ▶ Open the door.

### NOTICE

Risk of damage!

If the door seal is damaged, the door may fail to close properly and the cooling will be inadequate.

- ▶ Do not damage the door seal with the screwdriver!

- ▶ Remove the outer cover. Fig. 6 (1)
- ▶ Disengage and release the bearing bracket cover. Remove the bearing bracket cover. Fig. 6 (2)
- ▶ Unlatch the panel with a slotted screwdriver and swivel it to one side. Fig. 6 (3)

For all appliances:

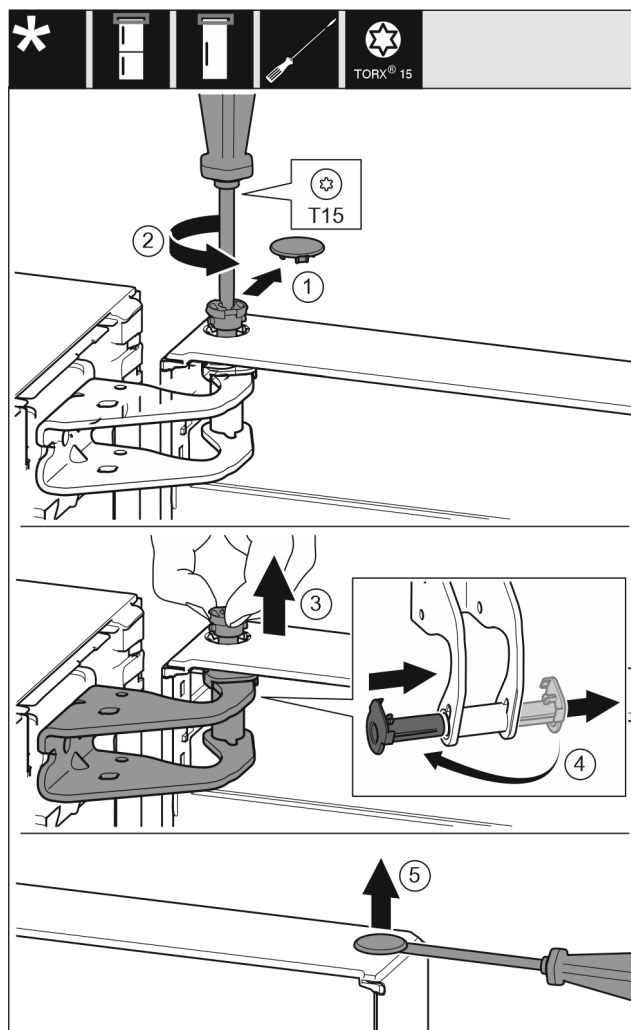


Fig. 7



### CAUTION

Risk of injury if the door tips!

- ▶ Take good hold of the door.
- ▶ Set down the door carefully.

- ▶ Carefully remove the protective cover. Fig. 7 (1)
- ▶ Undo the bolt a little with a T15 screwdriver. Fig. 7 (2)
- ▶ Hold the door and remove the bolts with your fingers. Fig. 7 (3)
- ▶ Pull the bearing bush out of the guide. Insert from the other side and latch into place. Fig. 7 (4)
- ▶ Lift the door and set it aside.
- ▶ Carefully lift the plugs out of the door bearing bush with a slotted screwdriver and pull them out. Fig. 7 (5)

# Door hinge change

## 13.2 Removing the bottom door

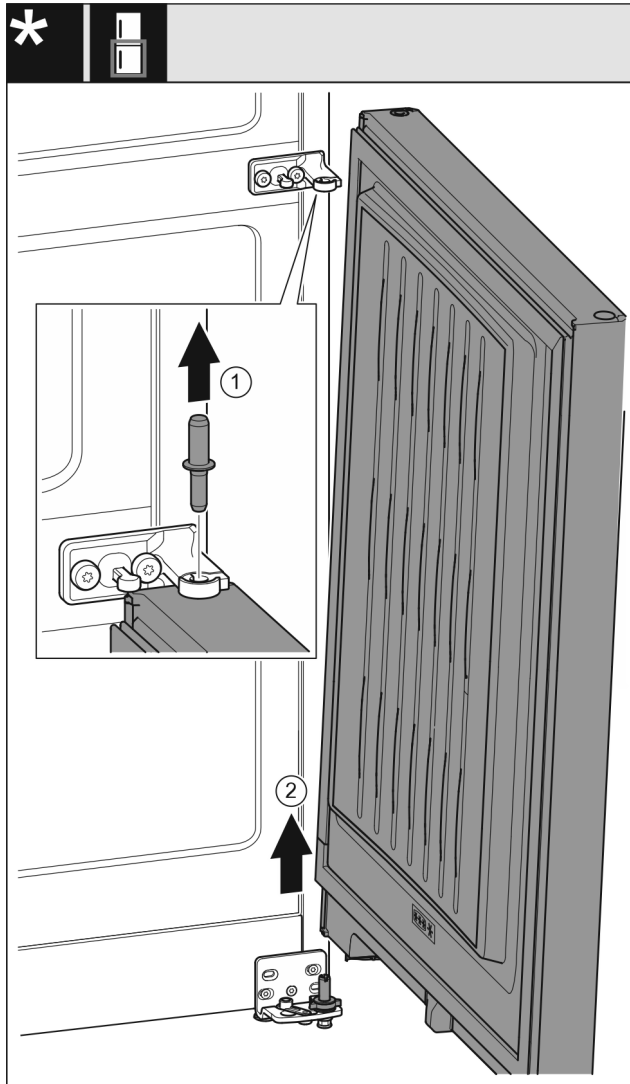


Fig. 8

- ▶ Pull out the bolts upwards. Fig. 8 (1)
- ▶ Swing the door out, pull it upwards and set it aside. Fig. 8 (2)



### CAUTION

- Risk of injury if the door tips!
- ▶ Take good hold of the door.
  - ▶ Set down the door carefully.

## 13.3 Moving the upper bearing parts to the other side

For all appliances:

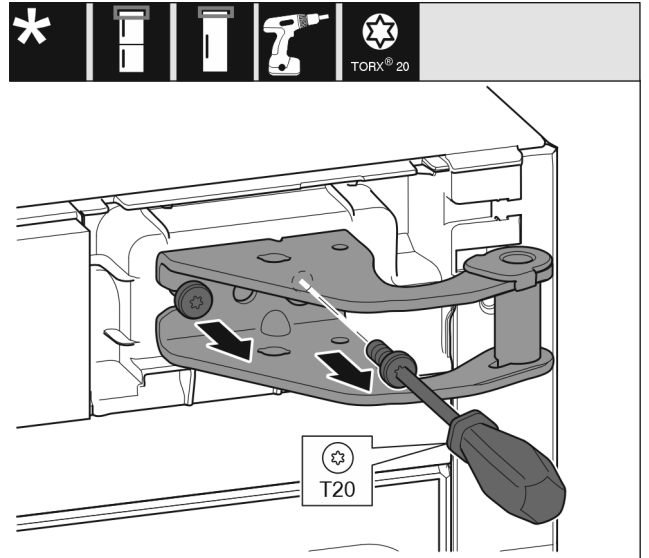


Fig. 9

- ▶ Remove both screws with a T20 screwdriver.
- ▶ Lift up and remove the bearing bracket.

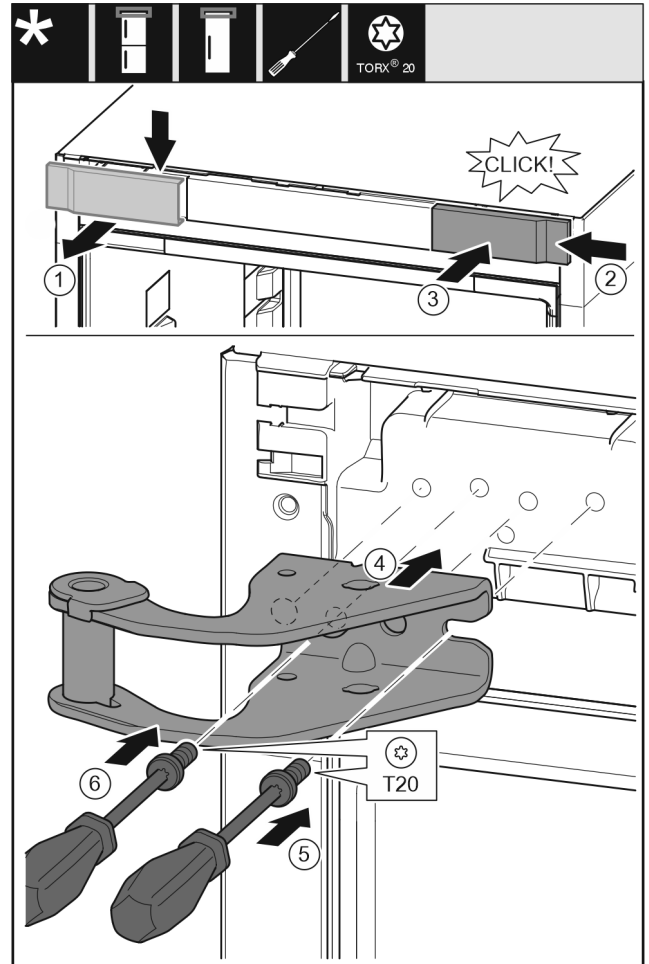


Fig. 10

- ▶ Take off the cover from above to the front. Fig. 10 (1)
- ▶ Rotate the cover 180° and clip onto the other side from the right. Fig. 10 (2)
- ▶ Latch the cover into place. Fig. 10 (3)
- ▶ Position the upper bearing bracket. Fig. 10 (4)
- ▶ Insert the screw with a T20 screwdriver and tighten it. Fig. 10 (5)
- ▶ Insert the screw with a T20 screwdriver and tighten it. Fig. 10 (6)



## 13.4 Moving the central bearing parts to the other side

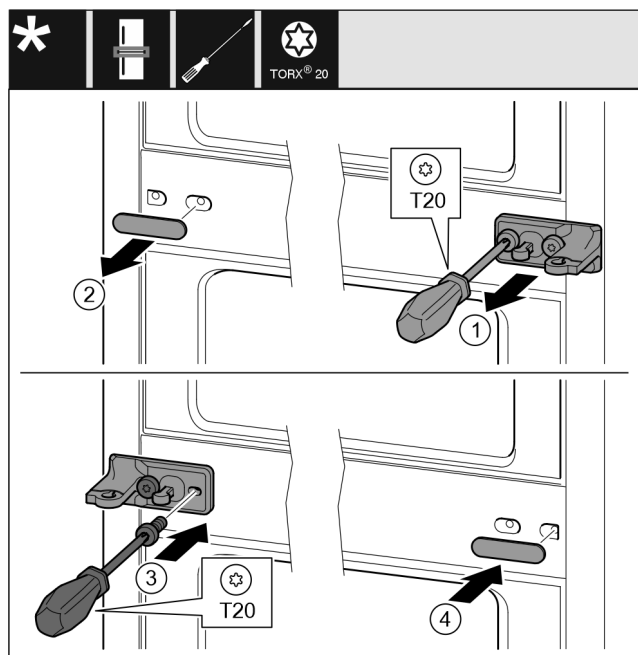


Fig. 11

- ▶ Take off the washer. Fig. 11 (1)
- ▶ Remove the screws with a T20 screwdriver. Fig. 11 (2)
- ▶ Take off the cover carefully. Fig. 11 (3)
- ▶ Screw the bearing bracket and the film rotated 180° firmly onto the other side. Fig. 11 (4)
- ▶ Attach the cover rotated 180° onto the other side. Fig. 11 (5)
- ▶ Push the washer on from the front. Fig. 11 (6)

## 13.5 Moving the lower bearing parts to the other side

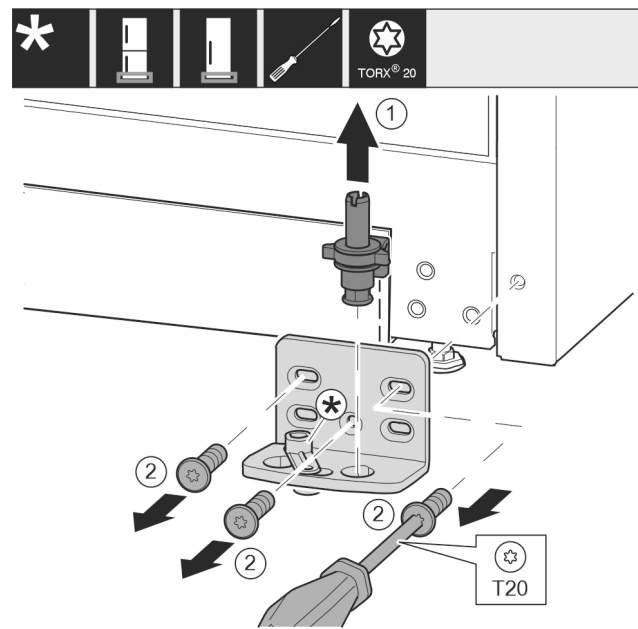


Fig. 12

- ▶ Lift the bearing pin completely upward and pull it out. Fig. 12 (1)
- ▶ Take out the screws with a T20 screwdriver and take off the bearing bracket. Fig. 12 (2)

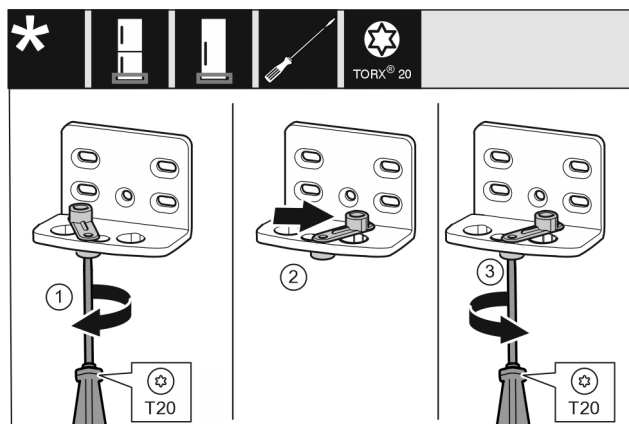


Fig. 13

- ▶ Loosen the screw using a T20 screwdriver. Fig. 13 (1)
- ▶ Lift the door closing aid and turn it 90° to the right in the hole. Fig. 13 (2)
- ▶ Tighten the screw using a T20 screwdriver. Fig. 13 (3)

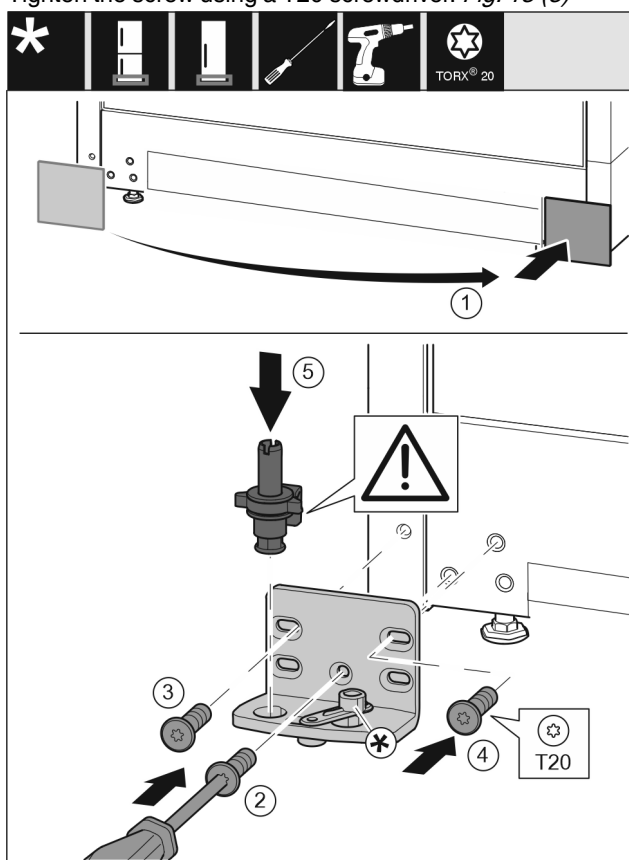


Fig. 14

- ▶ Remove the cover and fix it on the other side. Fig. 14 (1)
- ▶ Place the bearing bracket on the other side and screw it on with a T20 screwdriver. Start with screw 2 at the bottom in the middle. Fig. 14 (2)
- ▶ Screw in screws 3 and 4 tightly. Fig. 14 (3,4)
- ▶ Insert the bearing pin completely. Make sure that the latching lug is pointing to the rear. Fig. 14 (5)

## 13.6 Moving the door bearing parts to the other side

Bottom door

# Door hinge change

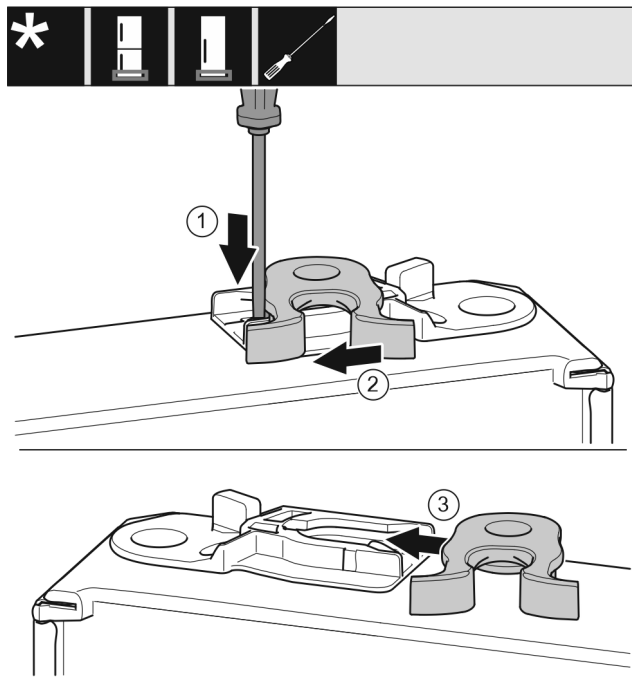


Fig. 15

- ▶ The bottom side of door faces upwards: Turn the door.
- ▶ Push the lug downwards with a slotted screwdriver. Fig. 15 (1)
- ▶ Pull the door latch out of the guide. Fig. 15 (2)
- ▶ Push the door latch into the guide on the other side. Fig. 15 (3)
- ▶ The upper side of door faces upwards: Turn the door.

## Top door

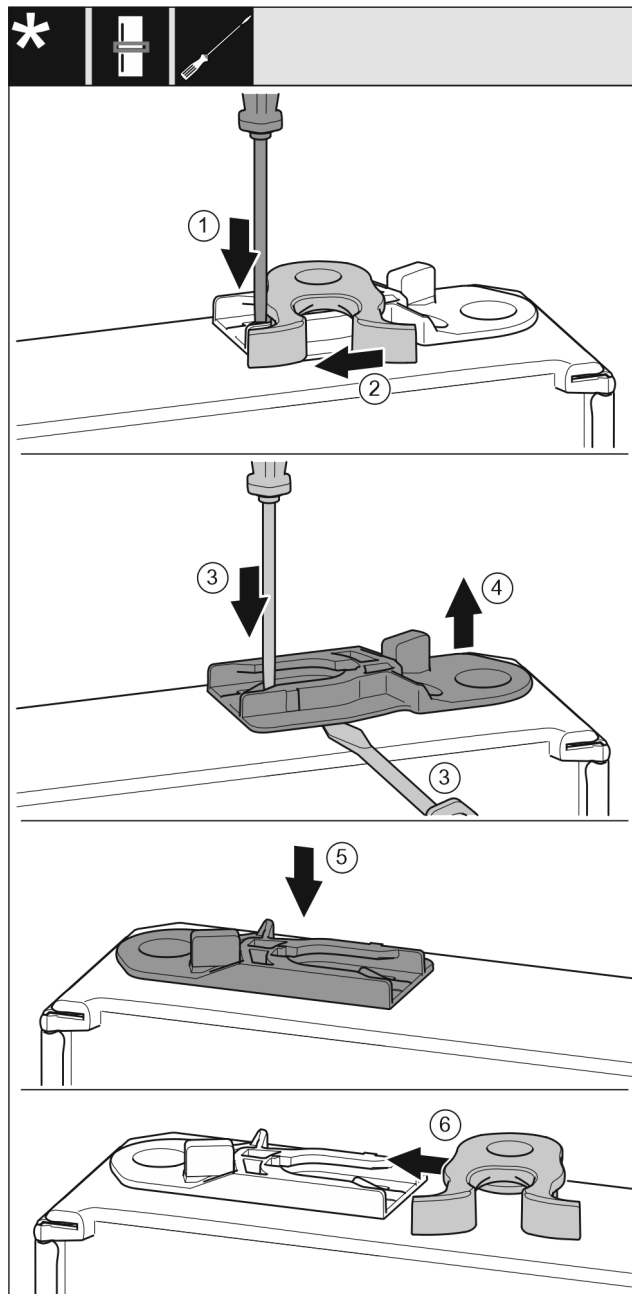


Fig. 16

- ▶ The bottom side of door faces upwards: Turn the door.
- ▶ Push the lug downwards with a slotted screwdriver. Fig. 16 (1)
- ▶ Pull the door latch out of the guide. Fig. 16 (2)
- ▶ Pull out the guide bush: Press the lug with a slotted screwdriver and, at the same time, insert the slotted screwdriver under the guide bush. Fig. 16 (3, 4)
- ▶ Slide the guide bush included in the scope of supply to the other side of the housing. Fig. 16 (5)
- ▶ Push the door latch into the guide. Fig. 16 (6)
- ▶ The upper side of door faces upwards: Turn the door.

## 13.7 Fitting the bottom door

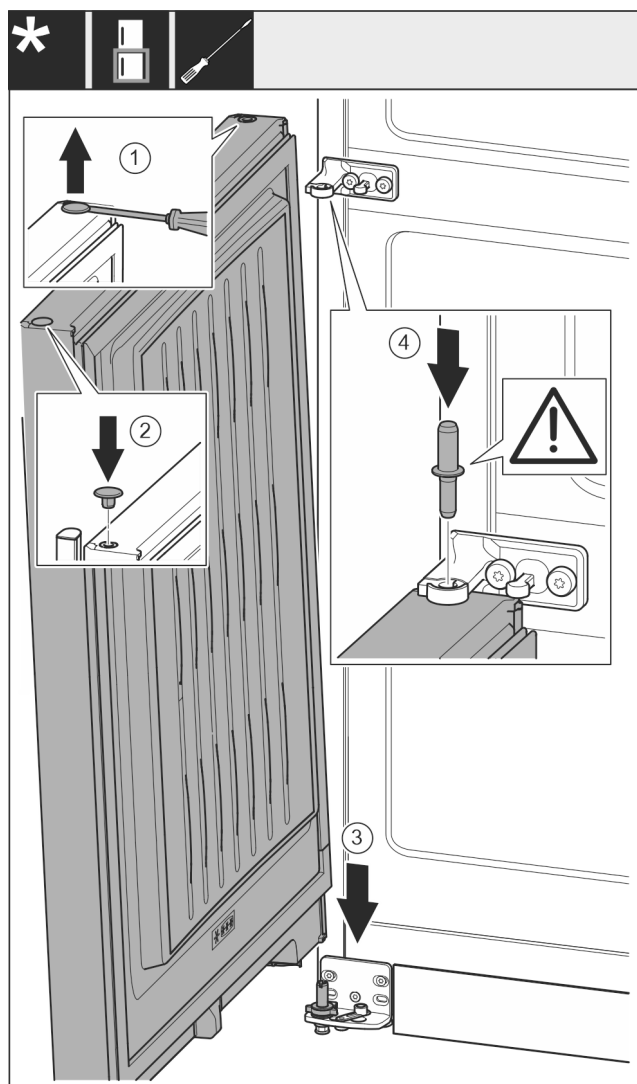


Fig. 17

- ▶ Carefully lift up the plugs with a slotted screwdriver and pull them out. Fig. 17 (1)
- ▶ Insert the plugs again on the other side of the door. Fig. 17 (2)
- ▶ Place the door onto the lower bearing pins from above. Fig. 17 (3)
- ▶ Insert the centre bearing pin through the centre bearing bracket into the lower door. Make sure that the latching lug is pointing to the rear. Fig. 17 (4)

## 13.8 Fitting the top door

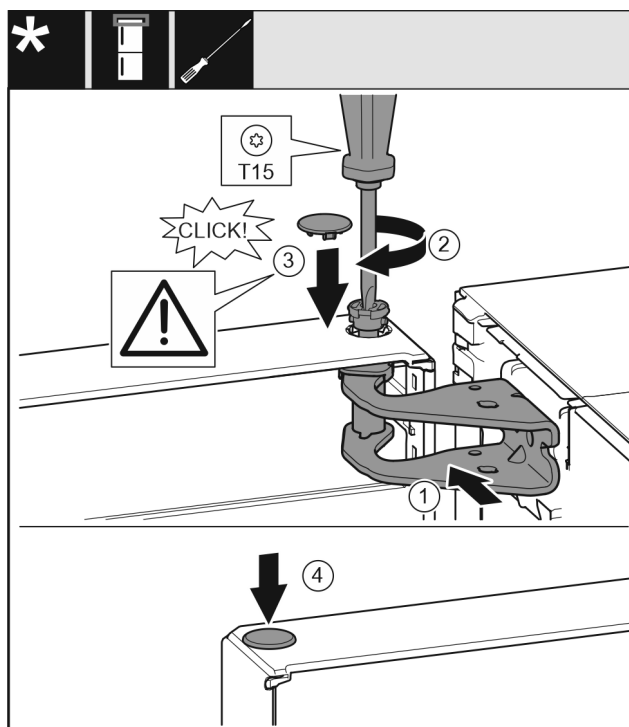


Fig. 18

- ▶ Place the door on the centre bearing pins.
- ▶ Align the top of the door with the opening in the bearing bracket. Fig. 18 (1)
- ▶ Insert the bolt and tighten with a T15 screwdriver. Fig. 18 (2)
- ▶ Fit the protective cover to protect the door: Insert the protective cover and check that it is flush to the door. If not, insert the bolt fully. Fig. 18 (3)
- ▶ Insert the plugs. Fig. 18 (4)

## 13.9 Aligning the doors



### WARNING

Risk of injury due to the door dropping out!

If the bearing parts are not screwed into place firmly enough, the door may drop out. This may lead to severe injuries. What is more, the door may not close and therefore the appliance may fail to cool properly.

- ▶ Screw the turn hinges firmly into place with 4 Nm.
- ▶ Check all of the screws and retighten if necessary.
- ▶ Align the doors flush with the appliance housing using the two slots in the lower bearing bracket and centre bearing bracket if needed. To do this undo the middle screw in the bottom bearing bracket with the T20 tool supplied. Undo the remaining screws a little with the T20 tool or with a T20 screwdriver and align using the slotted holes. Undo the screws in the middle bearing bracket with the T20 tool and align the middle bearing bracket using the slotted holes.
- ▶ Prop up the door: Take off the adjustable foot on the bearing bracket using the open-ended wrench SW10 until it comes into contact with the floor, then turn an additional 90°.

# Connecting the appliance

## 13.10 Fitting the covers

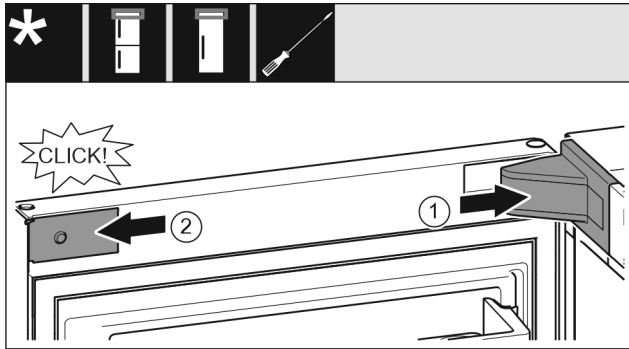


Fig. 19

The door is open 90°.

- ▶ Position the bearing bracket and latch it in place. If necessary push it apart carefully. Fig. 19 (1)
- ▶ Position the panel on the side and latch into place. Fig. 19 (2)

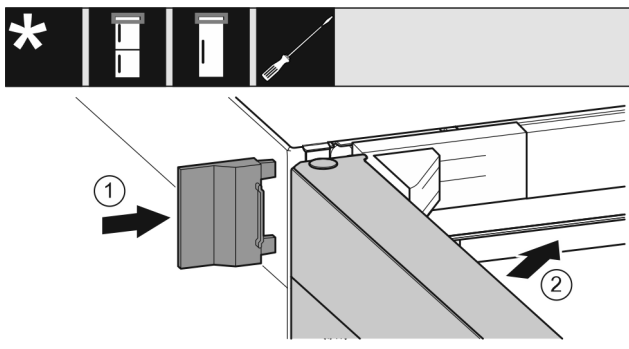


Fig. 20

- ▶ Slide on the outer cover. Fig. 20 (1)
- ▶ Close the upper door. Fig. 20 (2)

## 14 Connecting the appliance



### WARNING

Failure to connect properly  
Fire hazard.

- ▶ Do not use an extension cable.
- ▶ Do not use distributor blocks.

### NOTICE

Failure to connect properly  
Damage to the electronics.

- ▶ Do not use a standalone inverter.
- ▶ Do not use an energy saving plug.

### Note

Only use the power connection lead supplied.

- ▶ A longer power connection lead can be ordered from Customer Service.

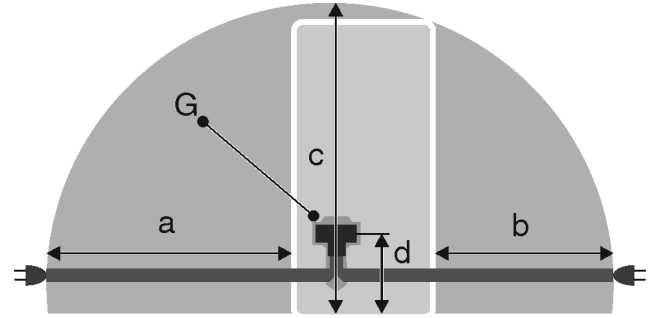


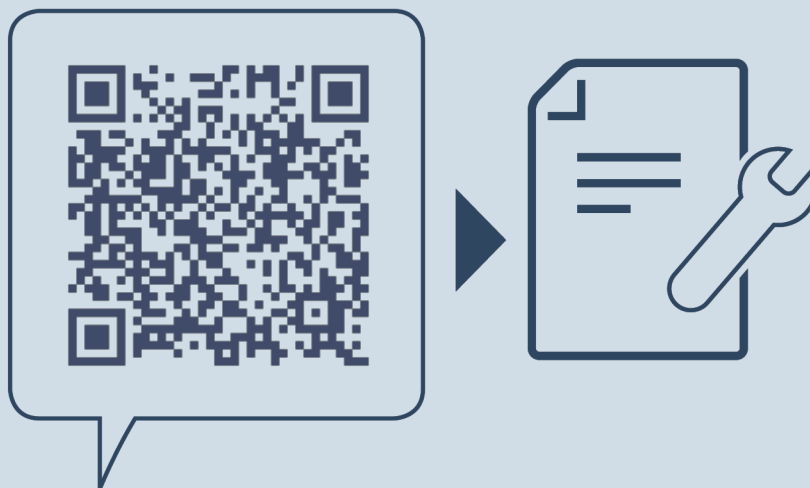
Fig. 21

a	b	c	d	G
~ 1800 mm	~ 1400 mm	~ 2100 mm	~ 200 mm	Appliance plugs

Ensure that the following conditions are met:

- The type of current and voltage at the installation site complies with the information on the type plate .
- The socket is earthed according to the regulations and fused.
- The fuse tripping current is between 10 and 16 A.
- The socket is easily accessible.
- The socket is outside the back of the appliance area in the specified area Fig. 21 (a, b, c).
- ▶ Check the electrical connection.
- ▶ Insert the appliance plug Fig. 21 (G) into the back of the appliance. Ensure that it clicks into place.
- ▶ Connect the power plug to the power supply.
- ▷ The Liebherr logo appears on the screen.
- ▷ The display switches to the standby symbol.





[home.liebherr.com/fridge-manuals](https://home.liebherr.com/fridge-manuals)

**EN** fridge/freezer

Issue date: 20211207  
Part number index: 7080446-00

Liebherr-Hausgeräte Marica EOOD  
Bezirk Plovdiv  
4202 Radinovo  
Bulgarien