

▶ HK624010XB

EN	User Manual Hob	2
FR	Notice d'utilisation Table de cuisson	17
DE	Benutzerinformation Kochfeld	32
IT	Istruzioni per l'uso Piano cottura	47

USER MANUAL



AEG

CONTENTS

1. SAFETY INFORMATION.....	2
2. SAFETY INSTRUCTIONS.....	4
3. INSTALLATION.....	6
4. PRODUCT DESCRIPTION.....	8
5. DAILY USE.....	9
6. HINTS AND TIPS.....	10
7. CARE AND CLEANING.....	11
8. TROUBLESHOOTING.....	11
9. TECHNICAL DATA.....	13
10. ENERGY EFFICIENCY.....	14
11. ELECTROLUX / AEG MAJOR APPLIANCES - WARRANTY CONDITIONS.....	14

FOR PERFECT RESULTS

Thank you for choosing this AEG product. We have created it to give you impeccable performance for many years, with innovative technologies that help make life simpler features you might not find on ordinary appliances. Please spend a few minutes reading to get the very best from it.

Visit our website for:



Get usage advice, brochures, trouble shooter, service information:
www.aeg.com/webselfservice



Register your product for better service:
www.registeraeg.com



Buy Accessories, Consumables and Original spare parts for your appliance:
www.aeg.com/shop

CUSTOMER CARE AND SERVICE

Always use original spare parts.

When contacting our Authorised Service Centre, ensure that you have the following data available: Model, PNC, Serial Number.

The information can be found on the rating plate.

 Warning / Caution-Safety information

 General information and tips

 Environmental information

Subject to change without notice.

1. SAFETY INFORMATION

Before the installation and use of the appliance, carefully read the supplied instructions. The manufacturer is not responsible for any injuries or damages that are the result of incorrect installation or

usage. Always keep the instructions in a safe and accessible location for future reference.

1.1 Children and vulnerable people safety

- This appliance can be used by children aged from 8 years and above and persons with reduced physical, sensory or mental capabilities or lack of experience and knowledge if they have been given supervision or instruction concerning the use of the appliance in a safe way and understand the hazards involved.
- Do not let children play with the appliance.
- Keep all packaging away from children and dispose of it appropriately.
- Keep children and pets away from the appliance when it operates or when it cools down. Accessible parts are hot.
- If the appliance has a child safety device, this should be activated.
- Children shall not carry out cleaning and user maintenance of the appliance without supervision.
- Children aged 3 years and under must be kept away from this appliance when it is in operation at all times.

1.2 General Safety

- **WARNING:** The appliance and its accessible parts become hot during use. Care should be taken to avoid touching heating elements. Children less than 8 years of age shall be kept away unless continuously supervised.
- Do not operate the appliance by means of an external timer or separate remote-control system.
- **WARNING:** Unattended cooking on a hob with fat or oil can be dangerous and may result in fire.
- **NEVER** try to extinguish a fire with water, but switch off the appliance and then cover flame e.g. with a lid or a fire blanket.

- **CAUTION:** The cooking process has to be supervised. A short term cooking process has to be supervised continuously.
- **WARNING:** Danger of fire: Do not store items on the cooking surfaces.
- Metallic objects such as knives, forks, spoons and lids should not be placed on the hob surface since they can get hot.
- Do not use a steam cleaner to clean the appliance.
- If the glass ceramic surface / glass surface is cracked, switch off the appliance and unplug it from the mains. In case the appliance is connected to the mains directly using junction box, remove the fuse to disconnect the appliance from power supply. In either case contact the Authorised Service Centre.
- If the supply cord is damaged, it must be replaced by the manufacturer, an authorized Service or similarly qualified persons in order to avoid a hazard.
- **WARNING:** Use only hob guards designed by the manufacturer of the cooking appliance or indicated by the manufacturer of the appliance in the instructions for use as suitable or hob guards incorporated in the appliance. The use of inappropriate guards can cause accidents.

2. SAFETY INSTRUCTIONS

2.1 Installation



WARNING!

Only a qualified person must install this appliance.



WARNING!

Risk of injury or damage to the appliance.

- Remove all the packaging.
- Do not install or use a damaged appliance.
- Follow the installation instruction supplied with the appliance.
- Keep the minimum distance from the other appliances and units.
- Always take care when moving the appliance as it is heavy. Always use safety gloves and enclosed footwear.
- Seal the cut surfaces with a sealant to prevent moisture to cause swelling.
- Protect the bottom of the appliance from steam and moisture.
- Do not install the appliance adjacent to a door or under a window. This prevents hot cookware to fall from the appliance when the door or the window is opened.
- If the appliance is installed above drawers make sure that the space, between the bottom of the appliance and the upper drawer, is sufficient for air circulation.

- The bottom of the appliance can get hot. Make sure to install a separation panel made from plywood, kitchen carcass material or other non-flammable materials under the appliance to prevent access to the bottom.

2.2 Electrical Connection



WARNING!

Risk of fire and electrical shock.

- All electrical connections should be made by a qualified electrician.
- The appliance must be earthed.
- Before carrying out any operation make sure that the appliance is disconnected from the power supply.
- Make sure that the parameters on the rating plate are compatible with the electrical ratings of the mains power supply.
- Make sure the appliance is installed correctly. Loose and incorrect electricity mains cable or plug (if applicable) can make the terminal become too hot.
- Use the correct electricity mains cable.
- Do not let the electricity mains cable tangle.
- Make sure that a shock protection is installed.
- Use the strain relief clamp on the cable.
- Make sure the mains cable or plug (if applicable) does not touch the hot appliance or hot cookware, when you connect the appliance to the near sockets.
- Do not use multi-plug adapters and extension cables.
- Make sure not to cause damage to the mains plug (if applicable) or to the mains cable. Contact our Authorised Service Centre or an electrician to change a damaged mains cable.
- The shock protection of live and insulated parts must be fastened in such a way that it cannot be removed without tools.
- Connect the mains plug to the mains socket only at the end of the installation. Make sure that there is

access to the mains plug after the installation.

- If the mains socket is loose, do not connect the mains plug.
- Do not pull the mains cable to disconnect the appliance. Always pull the mains plug.
- Use only correct isolation devices: line protecting cut-outs, fuses (screw type fuses removed from the holder), earth leakage trips and contactors.
- The electrical installation must have an isolation device which lets you disconnect the appliance from the mains at all poles. The isolation device must have a contact opening width of minimum 3 mm.

2.3 Use



WARNING!

Risk of injury, burns and electrical shock.

- Remove all the packaging, labelling and protective film (if applicable) before first use.
- Use this appliance in a household environment.
- Do not change the specification of this appliance.
- Make sure that the ventilation openings are not blocked.
- Do not let the appliance stay unattended during operation.
- Set the cooking zone to "off" after each use.
- Do not put cutlery or saucepan lids on the cooking zones. They can become hot.
- Do not operate the appliance with wet hands or when it has contact with water.
- Do not use the appliance as a work surface or as a storage surface.
- If the surface of the appliance is cracked, disconnect immediately the appliance from the power supply. This to prevent an electrical shock.
- When you place food into hot oil, it may splash.



WARNING!

Risk of fire and explosion

- Fats and oil when heated can release flammable vapours. Keep flames or

heated objects away from fats and oils when you cook with them.

- The vapours that very hot oil releases can cause spontaneous combustion.
- Used oil, that can contain food remnants, can cause fire at a lower temperature than oil used for the first time.
- Do not put flammable products or items that are wet with flammable products in, near or on the appliance.



WARNING!

Risk of damage to the appliance.

- Do not keep hot cookware on the control panel.
- Do not put a hot pan cover on the glass surface of the hob.
- Do not let cookware to boil dry.
- Be careful not to let objects or cookware fall on the appliance. The surface can be damaged.
- Do not activate the cooking zones with empty cookware or without cookware.
- Do not put aluminium foil on the appliance.
- Cookware made of cast iron, aluminium or with a damaged bottom can cause scratches on the glass / glass ceramic. Always lift these objects up when you have to move them on the cooking surface.
- This appliance is for cooking purposes only. It must not be used for other purposes, for example room heating.

3. INSTALLATION



WARNING!

Refer to Safety chapters.

3.1 Before the installation

Before you install the hob, write down the information bellow from the rating plate. The rating plate is on the bottom of the hob.

Serial number

2.4 Care and cleaning

- Clean regularly the appliance to prevent the deterioration of the surface material.
- Deactivate the appliance and let it cool down before you clean it.
- Disconnect the appliance from the electrical supply before maintenance.
- Do not use water spray and steam to clean the appliance.
- Clean the appliance with a moist soft cloth. Only use neutral detergents. Do not use any abrasive products, abrasive cleaning pads, solvents or metal objects.

2.5 Disposal



WARNING!

Risk of injury or suffocation.

- Contact your municipal authority for information on how to discard the appliance correctly.
- Disconnect the appliance from the mains supply.
- Cut off the mains electrical cable close to the appliance and dispose of it.

2.6 Service

- To repair the appliance contact an Authorised Service Centre.
- Use original spare parts only.

3.2 Built-in hobs

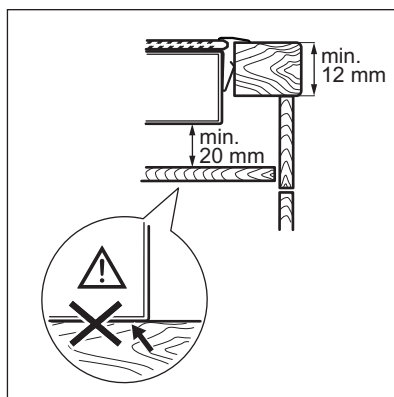
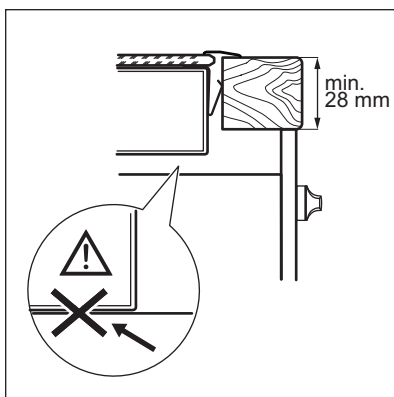
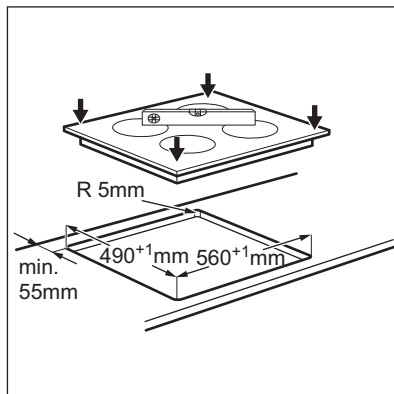
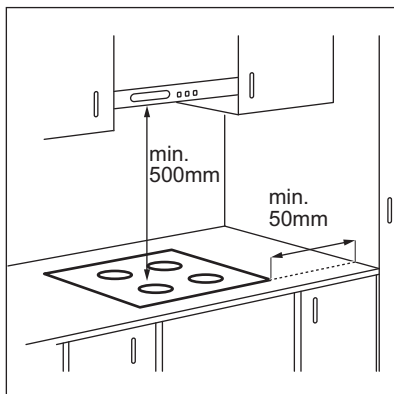
Only use the built-in hobs after you assemble the hob into correct built-in units and work surfaces that align to the standards.

3.3 Connection cable

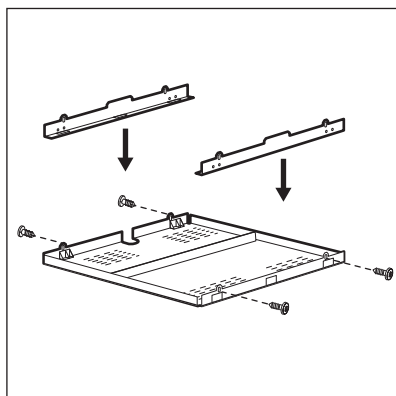
- The hob is supplied with a connection cable.
- To replace the damaged mains cable, use the cable type: H05V2V2-F which withstands a temperature of 90°C or

higher. Speak to your local Service Centre.

3.4 Assembly



3.5 Protection box



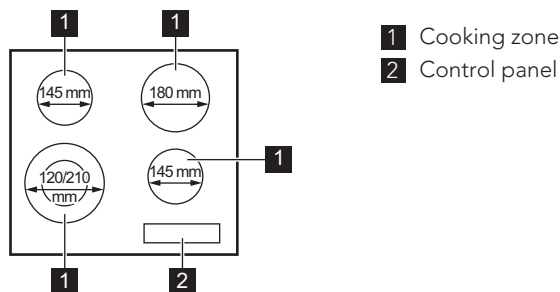
If you use a protection box (an additional accessory), the protective floor directly below the hob is not necessary. The protection box accessory may not be available in some countries. Please contact your local supplier.



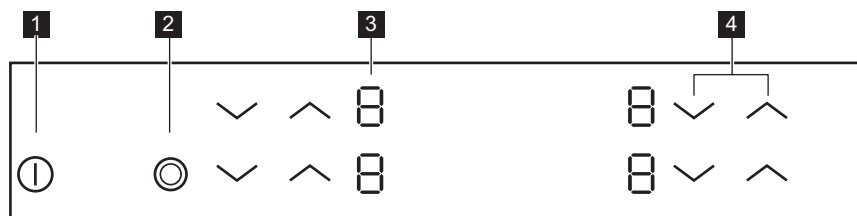
You can not use the protection box if you install the hob above an oven.

4. PRODUCT DESCRIPTION

4.1 Cooking surface layout



4.2 Control panel layout

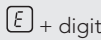





Use the sensor fields to operate the appliance. The displays, indicators and sounds tell which functions operate.

Sensor field	Function	Comment
1	ⓘ	ON / OFF To activate and deactivate the hob.
2	⊙	- To activate and deactivate the outer ring.
3	-	Heat setting display To show the heat setting.
4	∧ / ∨	- To set a heat setting.

4.3 Heat setting displays


Display	Description
0	The cooking zone is deactivated.
1 - 9	The cooking zone operates.

Display	Description
 + digit	There is a malfunction.
	A cooking zone is still hot (residual heat).
	The Child Safety Device operates.
	Automatic Switch Off operates.

4.4 Residual heat indicator



WARNING!

 There is a risk of burns from residual heat.


5. DAILY USE



WARNING!


Refer to Safety chapters.

5.1 Activating and deactivating

Touch  for 1 second to activate or deactivate the hob.

5.2 Automatic Switch Off


The function deactivates the hob automatically if:


- all cooking zones are deactivated,
- you do not set the heat setting after you activate the hob,
- you spill something or put something on the control panel for more than 10 seconds (a pan, a cloth, etc.). An acoustic signal sounds and the hob deactivates. Remove the object or clean the control panel.
- you do not deactivate a cooking zone or change the heat setting. After some time  comes on and the hob deactivates.

The relation between the heat setting and the time after which the hob deactivates:

Heat setting	The hob deactivates after
1 - 2	6 hours
3 - 4	5 hours
5	4 hours
6 - 9	1.5 hour

5.3 The heat setting

Touch  to increase the heat setting.

Touch  to decrease the heat setting.

Touch  and  at the same time to deactivate the cooking zone.

5.4 Activating and deactivating the outer rings

You can adjust the surface you cook to the dimension of the cookware.





Use sensor field: 


To activate the outer ring: touch the sensor field. The indicator comes on.




To deactivate the outer ring: touch the sensor field until the indicator goes out.


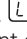

5.5 The Child Safety Device


This function prevents an accidental operation of the hob.

To start the function: activate the hob with . Do not set any heat setting. Touch  of the two front cooking zones at the same time for 4 seconds.  comes on. Deactivate the hob with .

To stop the function: activate the hob with . Do not set any heat setting.

Touch  of the two front cooking zones at the same time for 4 seconds.  comes on. Deactivate the hob with .

To suspend the function for only one cooking session: activate the hob with .  comes on. Touch  of the two front cooking zones at the same time for 4 seconds. **Set the heat setting in 10 seconds.** You can operate the hob.

When you deactivate the hob with  the function operates again.

6. HINTS AND TIPS



WARNING!
Refer to Safety chapters.

6.1 Cookware



The bottom of the cookware must be as thick and flat as possible.



Cookware made of enamelled steel and with aluminium or copper bottoms can cause the colour change on the glass-ceramic surface.

6.2 Examples of cooking applications



The data in the table is for guidance only.

Heat setting	Use to:	Time (min)	Hints
1	Keep cooked food warm.	as necessary	Put a lid on the cookware.
1 - 2	Hollandaise sauce, melt: butter, chocolate, gelatine.	5 - 25	Mix from time to time.
1 - 2	Solidify: fluffy omelettes, baked eggs.	10 - 40	Cook with a lid on.
2 - 3	Simmer rice and milkbased dishes, heat up ready-cooked meals.	25 - 50	Add at least twice as much liquid as rice, mix milk dishes halfway through the procedure.
3 - 4	Steam vegetables, fish, meat.	20 - 45	Add a couple of tablespoons of liquid.

Heat setting	Use to:	Time (min)	Hints
4 - 5	Steam potatoes.	20 - 60	Use max. ¼ l of water for 750 g of potatoes.
4 - 5	Cook larger quantities of food, stews and soups.	60 - 150	Up to 3 l of liquid plus ingredients.
6 - 7	Gentle fry: escalope, veal cordon bleu, cutlets, rissoles, sausages, liver, roux, eggs, pancakes, doughnuts.	as necessary	Turn halfway through.
7 - 8	Heavy fry, hash browns, loin steaks, steaks.	5 - 15	Turn halfway through.
9	Boil water, cook pasta, sear meat (goulash, pot roast), deep-fry chips.		

7. CARE AND CLEANING



WARNING!

Refer to Safety chapters.

7.1 General information

- Clean the hob after each use.
- Always use cookware with clean bottom.
- Scratches or dark stains on the surface have no effect on how the hob operates.
- Use a special cleaner applicable for the surface of the hob.
- Use a special scraper for the glass.

7.2 Cleaning the hob

- **Remove immediately:** melted plastic, plastic foil, sugar and food with sugar.

If not, the dirt can cause damage to the hob. Take care to avoid burns. Put the special scraper on the glass surface at an acute angle and move the blade on the surface.

- **Remove when the hob is sufficiently cool:** limescale rings, water rings, fat stains, shiny metallic discoloration. Clean the hob with a moist cloth and non-abrasive detergent. After cleaning, wipe the hob dry with a soft cloth.
- **Remove shiny metallic discoloration:** use a solution of water with vinegar and clean the glass surface with a moist cloth.





8. TROUBLESHOOTING


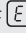


WARNING!

Refer to Safety chapters.

8.1 What to do if...

Problem	Possible cause	Remedy
You cannot activate or operate the hob.	The hob is not connected to an electrical supply or it is connected incorrectly.	Check if the hob is correctly connected to the electrical supply. Refer to the connection diagram.
	The fuse is blown.	Make sure that the fuse is the cause of the malfunction. If the fuse is blown again and again, contact a qualified electrician.
		Activate the hob again and set the heat setting in less than 10 seconds.
	You touched 2 or more sensor fields at the same time.	Touch only one sensor field.
	There is water or fat stains on the control panel.	Clean the control panel.
An acoustic signal sounds and the hob deactivates. An acoustic signal sounds when the hob is deactivated.	You put something on one or more sensor fields.	Remove the object from the sensor fields.
The hob deactivates.	You put something on the sensor field  .	Remove the object from the sensor field.
Residual heat indicator does not come on.	The zone is not hot because it operated only for a short time.	If the zone operated sufficiently long to be hot, speak to an Authorised Service Centre.
You cannot activate the outer ring.		Activate the inner ring first.
 There is a dark area on the multiple zone.	It is normal that there is a dark area on the multiple zone.	
The sensor fields become hot.	The cookware is too large or you put it too near to the controls.	Put large cookware on the rear zones if possible.
 comes on.	Automatic Switch Off operates.	Deactivate the hob and activate it again.
 comes on.	The Child Safety Device function operates.	Refer to "Daily use" chapter.

Problem	Possible cause	Remedy
 and a number come on.	There is an error in the hob.	Disconnect the hob from the electrical supply for some time. Disconnect the fuse from the electrical system of the house. Connect it again. If  comes on again, speak to an Authorised Service Centre.
E6 comes on.	The second phase of the power supply is missing.	Check if the hob is correctly connected to the electrical supply. Remove the fuse, wait one minute, and insert the fuse again.

8.2 If you cannot find a solution...

If you cannot find a solution to the problem yourself, contact your dealer or an Authorised Service Centre. Give the data from the rating plate. Give also three digit letter code for the glass ceramic (it is in the corner of the glass

surface) and an error message that comes on. Make sure, you operated the hob correctly. If not the servicing by a service technician or dealer will not be free of charge, also during the warranty period. The instructions about the Service Centre and conditions of guarantee are in the guarantee booklet.

9. TECHNICAL DATA

9.1 Rating plate

Model HK624010XB
Typ 60 HAD 03 AO

Ser.Nr.
AEG

PNC 949 492 128 01
220 - 240 V 50 - 60 Hz
Made in Romania
6.4 kW



9.2 Cooking zones specification

Cooking zone	Nominal Power (Max heat setting) [W]	Cooking zone diameter [mm]
Left front	750 / 2200	120 / 210
Left rear	1200	145
Right front	1200	145
Right rear	1800	180

For optimal cooking results use cookware not larger than the diameter of the cooking zone.

10. ENERGY EFFICIENCY

10.1 Product information according to EU 66/2014

Model identification	HK624010XB	
Type of hob	Built-In Hob	
Number of cooking zones	4	
Heating technology	Radiant Heater	
Diameter of circular cooking zones (Ø)	Left front	21.0 cm
	Left rear	14.5 cm
	Right front	14.5 cm
	Right rear	18.0 cm
Energy consumption per cooking zone (EC electric cooking)	Left front	200.1 Wh / kg
	Left rear	188.0 Wh / kg
	Right front	188.0 Wh / kg
	Right rear	191.6 Wh / kg
Energy consumption of the hob (EC electric hob)	191.9 Wh / kg	

EN 60350-2 - Household electric cooking appliances - Part 2: Hobs - Methods for measuring performance

10.2 Energy saving

You can save energy during everyday cooking if you follow below hints.

- When you heat up water, use only the amount you need.
- If it is possible, always put the lids on the cookware.
- Before you activate the cooking zone put the cookware on it.
- The cookware bottom should have the same diameter as the cooking zone.
- Put the smaller cookware on the smaller cooking zones.
- Put the cookware directly in the centre of the cooking zone.
- Use the residual heat to keep the food warm or to melt it.

11. ELECTROLUX / AEG MAJOR APPLIANCES - WARRANTY CONDITIONS

For domestic use only.

Not for commercial or industrial use.

Any alteration or modification of the equipment voids the warranty.

Failure to use a certified electrician or Electrolux authorised service agent or genuine parts for installation or service voids the warranty.

1. Electrolux / AEG warrants the equipment against defective material or faulty manufacture, provided it is used for domestic purposes only, for a period of 36 (thirty six) months, from the date of purchase by the original retail purchaser. This warranty only applies to Electrolux and AEG large appliances.

2. a. In the first 6 (six) months from date of purchase, for valid warranty claims, collection, return and installation (Built-in and gas appliances) of the appliance will be free of charge within South Africa if installed by an authorized Electrolux service agent.
b. For the remainder of the warranty period where the repaired appliance is used or installed more than 50 kilometres from the nearest Electrolux service agent or elsewhere in South Africa, travel costs to the place of use or installation shall be for the account of the purchaser.
3. This warranty is given on condition that only labour, parts and accessories supplied by authorised agents are at all times used in connection with the appliance, including the installation thereof, and that an authorised Electrolux service agent installs and/or services the appliance.
4. Electrolux shall not be responsible for damage of any kind resulting from electricity fluctuations, faults in the building wiring, faulty installations, and improper use of controls or failure to use the appliance in accordance with the operating instructions and/or general misuse and/or abuse, or if not used for domestic purposes only, or for damage caused by a superior force (**vis maior**). Any repair or tampering by an unauthorised person or attempt to repair or tamper with the equipment, or use of parts not supplied by authorised agents, or alterations or modification to the equipment, shall render the warranty null and void.
5. After the first 6 (six) months from the date of purchase, this warranty does not apply to light bulbs, loose glass, glass oven doors and enamelled surfaces, filters and other parts subject to wear and tear or discolouring, as well as damage caused by abrasive and highly concentrated cleaners and/or cleaning materials or cleaners prohibited by the user manual.
6. Electrolux shall not be responsible in terms of this warranty for the replacement or repair of any part of the equipment which may have been damaged in transit if delivery is undertaken by any party other than Electrolux or an authorised agent.
7. All gas appliances are to be installed by a gas installer, registered with SAQCC GAS. Electrical appliances are to be installed by a qualified electrician who is an authorised service agent or assisted by an authorised service agent from who proof of installation will be required.
8. Repairs carried out under warranty have a guarantee period of 3 (three) months on the parts and labour supplied to repair the unit and does not extend the warranty nor does it start a new warranty. Parts removed during guarantee repairs become the property of Electrolux.
9. After expiry of 6 (six) months from the date of purchase the warranty shall be available only to the original retail purchaser of Electrolux domestic appliances from an authorised Electrolux Dealer or Distributor and only where the appliance has been retained for use in the Republic of South Africa.
10. Failure to produce documentary proof of the date of original acquisition by the original purchaser to Electrolux or an authorised service agent, will result in normal charges being levied for travel costs, the work carried out and the parts supplied, unless a production date can be proved to be within the 6 (six) months preceding the warranty claim.
11. After 6 (six) months from the date of purchase of the appliance the liability of Electrolux under this warranty is limited to the replacement and/or repair of the defective parts within the warranty period and does not extend to the installation or removal of the appliance.

CUSTOMER CARE HELPLINE

0800 222 825

Service and Spares

In the event of your appliance requiring a service or if you wish to purchase spare parts, contact your local Electrolux Service Centre by telephoning:

0800 222 825 (Tollfree in South Africa)

Help us to help you Please determine your type of enquiry before writing or telephoning. When you contact us we need to know:

- Your name and telephone number
- Date of Purchase and Invoice number
- Physical address where appliance is located
- Model and serial number of the appliance
- Clear and concise details of the fault

Customer Care

For general enquiries or information regarding Electrolux / AEG appliances contact:

Customer Care Department


Electrolux South Africa (Pty) Ltd.

P.O. Box 50 Paarden Eiland, 7420

Cape Town

	Electrolux appliances	AEG appliances
Telephone	00800 222 825	
E-mail	service@electrolux.co.za	
Website	www.electrolux.co.za	www.aeg.co.za

12. ENVIRONMENTAL CONCERNS

Recycle materials with the symbol . Put the packaging in relevant containers to recycle it. Help protect the environment and human health by recycling waste of electrical and electronic appliances. Do not dispose of


appliances marked with the symbol  with the household waste. Return the product to your local recycling facility or contact your municipal office.

TABLE DES MATIÈRES

1. INFORMATIONS DE SÉCURITÉ.....	17
2. CONSIGNES DE SÉCURITÉ.....	20
3. INSTALLATION.....	22
4. DESCRIPTION DE L'APPAREIL.....	24
5. UTILISATION QUOTIDIENNE.....	25
6. CONSEILS.....	26
7. ENTRETIEN ET NETTOYAGE.....	27
8. DÉPANNAGE.....	28
9. CARACTÉRISTIQUES TECHNIQUES.....	30
10. RENDEMENT ÉNERGÉTIQUE.....	30

POUR DES RÉSULTATS PARFAITS

Merci d'avoir choisi ce produit AEG. Nous l'avons conçu pour qu'il vous offre des performances irréprochables pour longtemps, en intégrant des technologies innovantes qui vous simplifient la vie grâce à des caractéristiques que vous ne trouverez pas forcément sur des appareils ordinaires. Veuillez prendre quelques instants pour lire cette notice afin d'utiliser au mieux votre appareil.

Visitez notre site Internet pour :



Obtenir des conseils d'utilisation, des brochures, de l'aide, des informations :
www.aeg.com/webselfservice



Enregistrez votre produit pour obtenir un meilleur service :
www.registreaeg.com



Acheter des accessoires, consommables et pièces de rechange d'origine pour votre appareil :
www.aeg.com/shop

SERVICE APRÈS-VENTE

Utilisez toujours des pièces d'origine.

Avant de contacter le service après-vente, assurez-vous de disposer des informations suivantes : Modèle, PNC, numéro de série.

Vous trouverez ces informations sur la plaque signalétique.

 Avertissement/Consignes de sécurité

 Informations générales et conseils

 Informations en matière de protection de l'environnement

Sous réserve de modifications.

1. INFORMATIONS DE SÉCURITÉ

Avant d'installer et d'utiliser cet appareil, lisez soigneusement les instructions fournies. Le fabricant ne pourra être tenu pour responsable des blessures et dégâts résultant d'une mauvaise installation ou

utilisation. Conservez toujours les instructions dans un lieu sûr et accessible pour vous y référer ultérieurement.

1.1 Sécurité des enfants et des personnes vulnérables

- Cet appareil peut être utilisé par des enfants âgés d'au moins 8 ans et par des personnes ayant des capacités physiques, sensorielles ou mentales réduites ou dénuées d'expérience ou de connaissance, s'ils (si elles) sont correctement surveillé(e)s ou si des instructions relatives à l'utilisation de l'appareil en toute sécurité leur ont été données et si les risques encourus ont été appréhendés.
- Ne laissez pas les enfants jouer avec l'appareil.
- Ne laissez pas les emballages à la portée des enfants et jetez-les convenablement.
- Tenez les enfants et les animaux éloignés de l'appareil lorsqu'il est en cours de fonctionnement ou lorsqu'il refroidit. Les parties accessibles sont chaudes.
- Si l'appareil est équipé d'un dispositif de sécurité enfants, nous vous recommandons de l'activer.
- Le nettoyage et l'entretien par l'utilisateur ne doivent pas être effectués par des enfants sans surveillance.
- Les enfants de moins de 3 ans doivent être tenus éloignés de l'appareil en permanence lorsqu'il est en fonctionnement.

1.2 Sécurité générale

- **AVERTISSEMENT** : L'appareil et ses parties accessibles deviennent chauds pendant son fonctionnement. Veillez à ne pas toucher les éléments chauffants. Les enfants de moins de 8 ans doivent être tenus à l'écart, à moins d'être surveillés en permanence.
- Ne faites pas fonctionner l'appareil avec un minuteur externe ou un système de commande à distance.
- **AVERTISSEMENT** : Il peut être dangereux de laisser chauffer de la graisse ou de l'huile sans surveillance

sur une table de cuisson car cela pourrait provoquer un incendie.

- N'essayez JAMAIS d'éteindre un feu avec de l'eau. Éteignez l'appareil puis couvrez les flammes, par exemple avec un couvercle ou une couverture ignifuge.
- ATTENTION : Toute cuisson doit être surveillée. Une cuisson courte doit être surveillée en permanence.
- AVERTISSEMENT : Risque d'incendie ! N'entreposez rien sur les surfaces de cuisson.
- Ne posez pas d'objets métalliques tels que couteaux, fourchettes, cuillères ou couvercles sur la table de cuisson car ils pourraient chauffer.
- N'utilisez pas de nettoyeur vapeur pour nettoyer l'appareil.
- Si la surface vitrocéramique / en verre est fissurée, éteignez l'appareil et débranchez-le. Si l'appareil est branché à l'alimentation secteur directement en utilisant une boîte de jonction, retirez le fusible pour déconnecter l'appareil de l'alimentation secteur. Dans tous les cas, contactez le service après-vente agréé.
- Si le câble d'alimentation est endommagé, il doit être remplacé par le fabricant, un service de maintenance agréé ou un technicien qualifié afin d'éviter tout danger.
- AVERTISSEMENT : Utilisez uniquement les dispositifs de protection pour table de cuisson conçus ou indiqués comme adaptés par le fabricant de l'appareil de cuisson dans les instructions d'utilisation, ou les dispositifs de protection pour table de cuisson intégrés à l'appareil. L'utilisation de dispositifs de protection non adaptés peut entraîner des accidents.

2. CONSIGNES DE SÉCURITÉ

2.1 Installation



AVERTISSEMENT!

L'appareil doit être installé uniquement par un professionnel qualifié.



AVERTISSEMENT!

Risque de blessure corporelle ou de dommages matériels.

- Retirez l'intégralité de l'emballage.
- N'installez pas et ne branchez pas un appareil endommagé.
- Suivez scrupuleusement les instructions d'installation fournies avec l'appareil.
- Respectez l'espacement minimal requis par rapport aux autres appareils et éléments.
- Soyez toujours vigilants lorsque vous déplacez l'appareil car il est lourd. Utilisez toujours des gants de sécurité et des chaussures fermées.
- Isolez les surfaces découpées à l'aide d'un matériau d'étanchéité pour éviter que la moisissure ne provoque de gonflements.
- Protégez la partie inférieure de l'appareil de la vapeur et de l'humidité.
- N'installez pas l'appareil près d'une porte ou sous une fenêtre. Les récipients chauds risqueraient de tomber de l'appareil lors de l'ouverture de celles-ci.
- Si l'appareil est installé au-dessus de tiroirs, assurez-vous qu'il y a suffisamment d'espace entre le fond de l'appareil et le tiroir supérieur pour que l'air puisse circuler.
- Le dessous de l'appareil peut devenir très chaud. Veillez à installer un panneau de séparation sous l'appareil pour en bloquer l'accès. Ce panneau peut être en contreplaqué, provenir d'un autre meuble de cuisine, et doit être composé d'un matériau non inflammable.

2.2 Branchement électrique



AVERTISSEMENT!

Risque d'incendie ou d'électrocution.

- L'ensemble des branchements électriques doit être effectué par un technicien qualifié.
- L'appareil doit être relié à la terre.
- Avant toute intervention, assurez-vous que l'appareil est débranché.
- Vérifiez que les paramètres figurant sur la plaque signalétique correspondent aux données électriques de votre réseau.
- Assurez-vous que l'appareil est bien installé. Un câble d'alimentation lâche et inapproprié ou une fiche (si présente) non serrée peuvent être à l'origine d'une surchauffe des bornes.
- Utilisez le câble d'alimentation électrique approprié.
- Ne laissez pas le câble d'alimentation s'emmêler.
- Assurez-vous qu'une protection anti-électrocution est installée.
- Utilisez un collier anti-traction sur le câble.
- Assurez-vous que le câble d'alimentation ou la fiche (si présente) n'entrent pas en contact avec les surfaces brûlantes de l'appareil ou les récipients brûlants lorsque vous branchez l'appareil à des prises électriques situées à proximité.
- N'utilisez pas d'adaptateurs multiprises ni de rallonges.
- Veillez à ne pas endommager la fiche secteur (si présente) ni le câble d'alimentation. Contactez notre service après-vente agréé ou un électricien pour remplacer le câble d'alimentation s'il est endommagé.
- La protection contre les chocs des parties sous tension et isolées doit être fixée de telle manière qu'elle ne peut pas être enlevée sans outils.
- Ne branchez la fiche d'alimentation à la prise de courant qu'à la fin de l'installation. Assurez-vous que la prise de courant est accessible une fois l'appareil installé.

- Si la prise de courant est lâche, ne branchez pas la fiche d'alimentation secteur.
- Ne tirez jamais sur le câble d'alimentation pour débrancher l'appareil. Tirez toujours sur la fiche.
- N'utilisez que des systèmes d'isolation appropriés : des coupe-circuits, des fusibles (les fusibles à visser doivent être retirés du support), un disjoncteur différentiel et des contacteurs.
- L'installation électrique doit être équipée d'un dispositif d'isolement à coupure omnipolaire. Le dispositif d'isolement doit présenter une distance d'ouverture des contacts d'au moins 3 mm.

2.3 Utilisation



AVERTISSEMENT!

Risque de blessures, de brûlures ou d'électrocution.

- Avant la première utilisation, retirez les emballages, les étiquettes et les films de protection (si présents).
- Utilisez cet appareil dans un environnement domestique.
- Ne modifiez pas les caractéristiques de cet appareil.
- Assurez-vous que les orifices de ventilation ne sont pas bouchés.
- Ne laissez jamais l'appareil sans surveillance pendant son fonctionnement.
- Éteignez les zones de cuisson après chaque utilisation.
- Ne posez pas de couvercs ou de couvercles sur les zones de cuisson. Elles sont chaudes.
- N'utilisez jamais cet appareil avec les mains mouillées ou lorsqu'il est en contact avec de l'eau.
- N'utilisez jamais l'appareil comme plan de travail ou comme plan de stockage.
- Si la surface de l'appareil présente des fêlures, débranchez immédiatement l'appareil pour éviter tout risque d'électrocution.
- Lorsque vous versez un aliment dans de l'huile chaude, elle peut écla bousser.



AVERTISSEMENT!

Risque d'incendie et d'explosion.

- Les graisses et l'huile chaudes peuvent dégager des vapeurs inflammables. Tenez les flammes ou les objets chauds éloignés des graisses et de l'huile lorsque vous vous en servez pour cuisiner.
- Les vapeurs dégagées par l'huile très chaude peuvent provoquer une combustion spontanée.
- L'huile qui a servi contient des restes d'aliments pouvant provoquer un incendie à température plus faible que l'huile n'ayant jamais servi.
- Ne placez pas de produits inflammables ou d'éléments imbibés de produits inflammables à l'intérieur ou à proximité de l'appareil, ni sur celui-ci.



AVERTISSEMENT!

Risque d'endommagement de l'appareil.

- Ne laissez pas de récipients chauds sur le bandeau de commande.
- Ne posez pas de couvercle de casserole chaud sur la surface en verre de la table de cuisson.
- Ne laissez pas le contenu des récipients de cuisson s'évaporer complètement.
- Prenez soin de ne pas laisser tomber d'objets ou de récipients sur l'appareil. Sa surface risque d'être endommagée.
- Ne faites jamais fonctionner les zones de cuisson avec des récipients de cuisson vides ou sans aucun récipient de cuisson.
- Ne placez jamais de papier aluminium sur l'appareil.
- N'utilisez pas de récipients en fonte ou en aluminium, ni de récipients dont le fond est endommagé et rugueux. Ils risqueraient de rayer le verre ou la surface vitrocéramique. Soulevez toujours ces objets lorsque vous devez les déplacer sur la surface de cuisson.
- Cet appareil est exclusivement destiné à un usage culinaire. Ne l'utilisez pas pour des usages autres

que celui pour lequel il a été conçu, à des fins de chauffage par exemple.

2.4 Entretien et nettoyage

- Nettoyez régulièrement l'appareil afin de maintenir le revêtement en bon état.
- Éteignez l'appareil et laissez-le refroidir avant de le nettoyer.
- Débranchez l'appareil de l'alimentation électrique avant toute opération de maintenance.
- Ne pulvérisez pas d'eau ni de vapeur pour nettoyer l'appareil.
- Nettoyez l'appareil avec un chiffon doux humide. Utilisez uniquement des produits de lavage neutres. N'utilisez pas de produits abrasifs, de tampons à récurer, de solvants ni d'objets métalliques.

3. INSTALLATION



AVERTISSEMENT!

Reportez-vous aux chapitres concernant la sécurité.

3.1 Avant l'installation

Avant d'installer la table de cuisson, notez les informations de la plaque signalétique ci-dessous. La plaque signalétique se trouve au bas de la table de cuisson.

Numéro de série

3.2 Tables de cuisson intégrées

Les tables de cuisson encastrables ne peuvent être mises en fonctionnement

2.5 Mise au rebut



AVERTISSEMENT!

Risque de blessure ou d'asphyxie.

- Contactez votre service municipal pour obtenir des informations sur la marche à suivre pour mettre l'appareil au rebut.
- Débranchez l'appareil de l'alimentation électrique.
- Coupez le câble d'alimentation au ras de l'appareil et mettez-le au rebut.

2.6 Maintenance

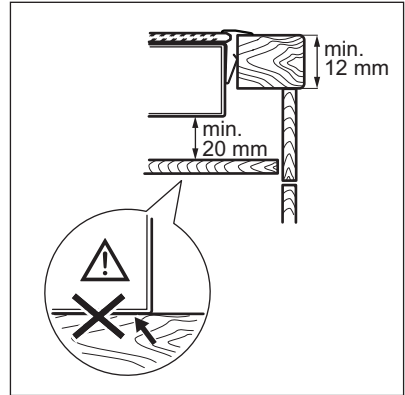
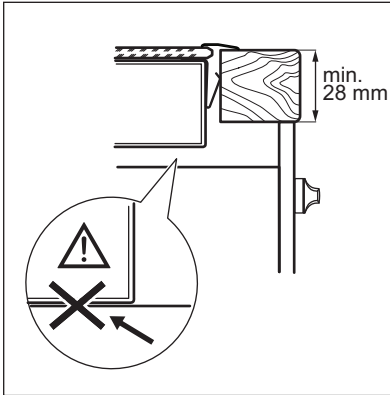
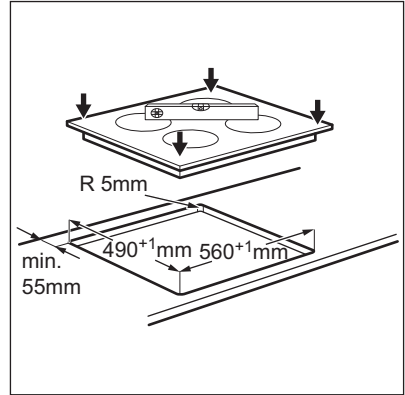
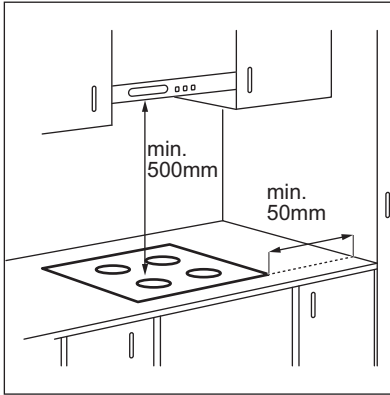
- Pour réparer l'appareil, contactez un service après-vente agréé.
- Utilisez exclusivement des pièces d'origine.

qu'après avoir été installées dans des meubles et sur des plans de travail homologués et adaptés.

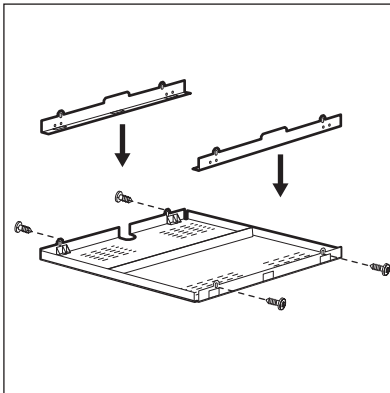
3.3 Câble d'alimentation

- La table de cuisson est fournie avec un câble d'alimentation.
- Pour remplacer le câble d'alimentation endommagé, utilisez le type de câble suivant : H05V2V2-F qui doit supporter une température minimale de 90 °C. Contactez votre service après-vente.

3.4 Montage



3.5 Encinte de protection



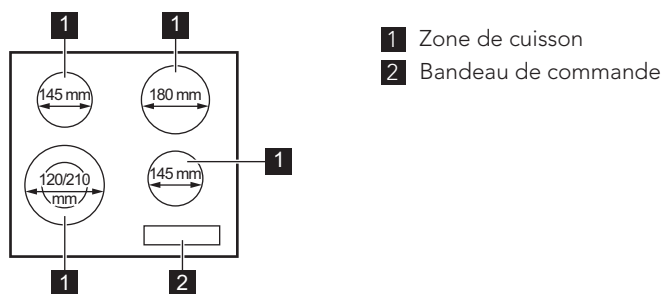
Si vous utilisez une enceinte de protection (accessoire supplémentaire), le fond de protection installé directement sous la table de cuisson n'est plus nécessaire. L'enceinte de protection n'est pas disponible dans tous les pays. Veuillez contacter votre revendeur local.



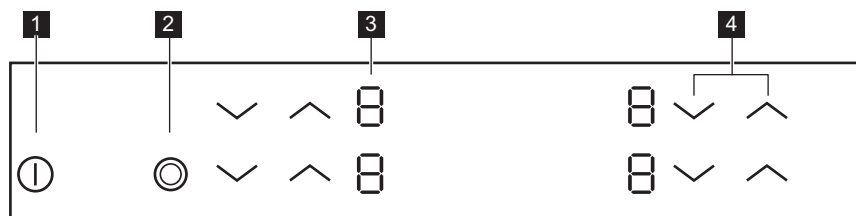
Vous ne pouvez pas utiliser l'enceinte de protection si vous installez la table de cuisson au-dessus d'un four.

4. DESCRIPTION DE L'APPAREIL

4.1 Description de la table de cuisson









4.2 Description du bandeau de commande



Les touches sensibles permettent de faire fonctionner l'appareil. Les affichages, les voyants et les signaux sonores indiquent les fonctions activées.

Touche sensible	Fonction	Commentaire
1	ⓘ	MARCHE/ARRÊT Pour allumer et éteindre la table de cuisson.
2	⊙	- Pour activer ou désactiver le circuit extérieur de la zone de cuisson.
3	-	Indicateur du niveau de cuisson Pour indiquer le niveau de cuisson.
4	∧ / ∨	- Pour sélectionner un niveau de cuisson.


4.3 Indicateurs de niveau de cuisson

Écran d'affichage	Description
	La zone de cuisson est désactivée.
	La zone de cuisson est activée.
 + chiffre	Une anomalie de fonctionnement s'est produite.
	Une zone de cuisson est encore chaude (chaleur résiduelle).
	Dispositif de sécurité enfants est activée.
	Arrêt automatique est activée.

4.4 Voyant de chaleur résiduelle



AVERTISSEMENT!

 La chaleur résiduelle peut être source de brûlures.


5. UTILISATION QUOTIDIENNE



AVERTISSEMENT!

Reportez-vous aux chapitres concernant la sécurité.


5.1 Activation et désactivation

Appuyez sur  pendant 1 seconde pour activer ou désactiver la table de cuisson.

5.2 Arrêt automatique

Cette fonction arrête la table de cuisson automatiquement si :





- toutes les zones de cuisson sont désactivées,
- vous ne réglez pas le niveau de cuisson après avoir allumé la table de cuisson,
- vous avez renversé quelque chose ou placé un objet sur le bandeau de commande pendant plus de 10 secondes (une casserole, un torchon, etc.). Un signal sonore retentit et la table de cuisson s'éteint. Retirez l'objet du bandeau de commande ou nettoyez celui-ci.

- vous ne désactivez pas la zone de cuisson ou ne modifiez pas le niveau de cuisson. Au bout de quelques instants,  s'allume et la table de cuisson s'éteint.

La relation entre le niveau de cuisson et la durée après laquelle la table de cuisson s'éteint :

Niveau de cuisson	La table de cuisson s'éteint au bout de
1 - 2	6 heures
3 - 4	5 heures
5	4 heures
6 - 9	1,5 heure

5.3 Niveau de cuisson

Appuyez sur  pour augmenter le niveau de cuisson. Appuyez sur  pour diminuer le niveau de cuisson. Appuyez simultanément sur  et  pour désactiver la zone de cuisson.

5.4 Activation et désactivation des circuits extérieurs

Vous pouvez ajuster la surface de cuisson à la dimension de votre ustensile de cuisine.



Utilisez la touche sensitive : 



Pour activer le circuit extérieur : appuyez sur la touche sensitive. Le voyant s'allume.





Pour désactiver le circuit extérieur : appuyez sur la touche sensitive jusqu'à ce que le voyant s'éteigne.





5.5 Dispositif de sécurité enfants

Cette fonction permet d'éviter une utilisation involontaire de la table de cuisson.

Pour lancer la fonction : allumez la table de cuisson en appuyant sur . Ne sélectionnez pas de réglage de niveau de cuisson. Appuyez sur  des deux

zones de cuisson avant pendant 4 secondes.  s'allume. Éteignez la table de cuisson en appuyant sur .

Pour arrêter la fonction : allumez la table de cuisson en appuyant sur . Ne sélectionnez pas de réglage de niveau de cuisson. Appuyez sur  des deux zones de cuisson avant pendant 4 secondes.  s'allume. Éteignez la table de cuisson en appuyant sur .

Pour suspendre la fonction le temps d'une cuisson : allumez la table de cuisson en appuyant sur .  s'allume. Appuyez simultanément sur  des deux zones de cuisson avant pendant 4 secondes. **Réglez le niveau de cuisson dans les 10 secondes qui suivent.** Vous pouvez utiliser la table de cuisson. Lorsque vous éteignez la table de cuisson avec , la fonction est de nouveau activée.

6. CONSEILS



AVERTISSEMENT!
Reportez-vous aux chapitres concernant la sécurité.

6.1 Ustensiles de cuisson



Le fond de l'ustensile de cuisson doit être aussi plat et épais que possible.



Les récipients de cuisson avec un fond en émail, en aluminium ou en cuivre peuvent laisser des traces sur la surface vitrocéramique.

6.2 Exemples de cuisson



Les données du tableau sont fournies à titre indicatif uniquement.

Niveau de cuisson	Utilisation :	Durée (min)	Conseils
1	Conservez les aliments cuits au chaud.	au besoin	Placez un couvercle sur le récipient.

Niveau de cuisson	Utilisation :	Durée (min)	Conseils
1 - 2	Sauce hollandaise, faire fondre : beurre, chocolat, gélatine.	5 - 25	Mélangez de temps en temps.
1 - 2	Solidifier : omelettes, œufs cocotte.	10 - 40	Couvrez pendant la cuisson.
2 - 3	Faire mijoter des plats à base de riz et de laitage, réchauffer des plats cuisinés.	25 - 50	Ajoutez au moins deux fois plus de liquide que le riz, mélangez les plats de lait à mi-chemin de la procédure.
3 - 4	Cuire à la vapeur des légumes, du poisson et de la viande.	20 - 45	Ajoutez quelques cuillères à soupe de liquide.
4 - 5	Cuire des pommes de terre à la vapeur.	20 - 60	Utilisez max. ¼ l d'eau pour 750 g de pommes de terre.
4 - 5	Cuire de grandes quantités d'aliments, des ragoûts et des soupes.	60 - 150	Ajoutez jusqu'à 3 l de liquide, plus les ingrédients.
6 - 7	Poêler à feu doux : escalopes, cordons bleus de veau, côtelettes, rissolettes, saucisses, foie, roux, œufs, crêpes, beignets.	au besoin	Retournez à mi-cuisson.
7 - 8	Cuisson à température élevée des pommes de terre rissolées, filets, steaks.	5 - 15	Retournez à mi-cuisson.
9	Faire bouillir de l'eau, cuire des pâtes, griller de la viande (goulasch, bœuf braisé), cuire des frites.		

7. ENTRETIEN ET NETTOYAGE



AVERTISSEMENT!

Reportez-vous aux chapitres concernant la sécurité.

- Utilisez un nettoyant spécialement adapté à la surface de la table de cuisson.
- Utilisez un racloir spécial pour la vitre.

7.1 Informations générales

- Nettoyez la table de cuisson après chaque utilisation.
- Utilisez toujours un plat de cuisson dont le fond est propre.
- Les rayures ou les taches sombres sur la surface n'ont aucune incidence sur le fonctionnement de la table de cuisson.

7.2 Nettoyage de la table de cuisson

- **Enlevez immédiatement** : plastique fondu, films plastiques, sucre et aliments contenant du sucre. Sinon, la saleté pourrait endommager la table de cuisson. Veillez à ne pas vous brûler. Tenez le racloir spécial incliné sur la surface vitrée et faites glisser la

lame du racloir pour enlever les salissures.

- **Une fois que la table de cuisson a suffisamment refroidi, enlevez :** traces de calcaire et d'eau, projections de graisse, décolorations métalliques luisantes. Nettoyez la table de cuisson à l'aide d'un chiffon humide et d'un détergent non abrasif.

Après le nettoyage, séchez la table de cuisson à l'aide d'un chiffon doux.

- **Pour retirer les décolorations métalliques brillantes :** utilisez une solution d'eau additionnée de vinaigre et nettoyez la surface vitrée avec un chiffon humide.

8. DÉPANNAGE





AVERTISSEMENT!

Reportez-vous aux chapitres concernant la sécurité.

8.1 En cas d'anomalie de fonctionnement

Problème	Cause probable	Solution
Vous ne pouvez pas allumer la table de cuisson ni la faire fonctionner.	La table de cuisson n'est pas connectée à une source d'alimentation électrique ou le branchement est incorrect.	Vérifiez que la table de cuisson est correctement branchée à une source d'alimentation électrique. Consultez le schéma de raccordement.
	Le fusible a disjoncté.	Vérifiez que le fusible est bien la cause de l'anomalie. Si les fusibles disjonctent de manière répétée, faites appel à un électricien qualifié.
		Allumez de nouveau la table de cuisson et réglez le niveau de cuisson en moins de 10 secondes.
	Vous avez appuyé sur plusieurs touches sensibles en même temps.	N'appuyez que sur une seule touche sensible à la fois.
	Il y a de l'eau ou des taches de graisse sur le bandeau de commande.	Nettoyez le bandeau de commande.
Un signal sonore retentit et la table de cuisson s'éteint. Un signal sonore retentit lorsque la table de cuisson est éteinte.	Vous avez posé quelque chose sur une ou plusieurs touches sensibles.	Retirez l'objet des touches sensibles.

Problème	Cause probable	Solution
La table de cuisson est dés-activée.	Vous avez posé quelque chose sur la touche sensitive  .	Retirez l'objet de la touche sensitive.
Le voyant de chaleur résiduelle ne s'allume pas.	La zone de cuisson n'est pas chaude parce qu'elle n'a fonctionné que peu de temps.	Si la zone de cuisson a eu assez de temps pour chauffer, faites appel à votre service après-vente agréé.
Impossible d'activer le circuit extérieur.		Activez d'abord le circuit intérieur.
 Il y a une zone sombre sur la zone multiple.	Il est normal qu'il y ait une zone sombre sur la zone multiple.	
Les touches sensibles sont chaudes.	Le récipient est trop grand ou vous l'avez placé trop près des commandes.	Placez les récipients de grande taille sur les zones de cuisson arrière, si possible.
 s'allume.	La fonction Arrêt automatique est activée.	Éteignez la table de cuisson puis allumez-la de nouveau.
 s'allume.	La Sécurité enfants est activée.	Reportez-vous au chapitre « Utilisation quotidienne ».
 et un chiffre s'affichent.	Une erreur s'est produite dans la table de cuisson.	Débranchez la table de cuisson de l'alimentation électrique pendant quelques minutes. Déconnectez le fusible de l'installation domestique. Rebranchez l'appareil. Si  s'affiche à nouveau, faites appel au service après-vente agréé.
E6 s'allume.	Il manque la seconde phase de l'alimentation électrique.	Vérifiez que la table de cuisson est correctement branchée à une source d'alimentation électrique. Retirez le fusible, attendez une minute, et remplacez le fusible.

8.2 Si vous ne trouvez pas de solution...

Si vous ne trouvez pas de solution au problème, veuillez contacter votre revendeur ou un service après-vente agréé. Veuillez lui fournir les informations se trouvant sur la plaque signalétique.

Donnez également la combinaison à 3 lettres et chiffres pour la vitrocéramique (située dans un des coins de la surface en verre) et le message d'erreur qui s'affiche. Assurez-vous d'utiliser correctement l'appareil. En cas d'erreur de manipulation de la part de l'utilisateur, le déplacement du

technicien du service après-vente ou du vendeur pourra être facturé, même en cours de garantie. Les instructions relatives au service après-vente et aux

conditions de garantie figurent dans le livret de garantie.

9. CARACTÉRISTIQUES TECHNIQUES

9.1 Plaque signalétique

Modèle HK624010XB
Type 60 HAD 03 AO

Numéro de série
AEG

PNC 949 492 128 01
220 - 240 V 50 - 60 Hz
Fabriqué en Roumanie
6,4 kW



9.2 Caractéristiques des zones de cuisson

Zone de cuisson	Puissance nominale (niveau de cuisson max.) [W]	Diamètre de la zone de cuisson [mm]
Avant gauche	750 / 2200	120 / 210
Arrière gauche	1200	145
Avant droite	1200	145
Arrière droite	1800	180

Pour des résultats de cuisson optimaux, utilisez des récipients qui ne dépassent pas le diamètre de la zone de cuisson.

10. RENDEMENT ÉNERGÉTIQUE

10.1 Informations sur le produit selon la norme EU 66/2014

Identification du modèle	HK624010XB	
Type de table de cuisson	Table de cuisson intégrée	
Nombre de zones de cuisson	4	
Technologie de chauffage	Chauffage par rayonnement	
Diamètre des zones de cuisson circulaires (Ø)	Avant gauche	21,0 cm
	Arrière gauche	14,5 cm
	Avant droite	14,5 cm
	Arrière droite	18,0 cm

Consommation d'énergie selon la zone de cuisson (EC electric cooking)	Avant gauche	200,1 Wh / kg
	Arrière gauche	188,0 Wh / kg
	Avant droite	188,0 Wh / kg
	Arrière droite	191,6 Wh / kg
Consommation d'énergie de la table de cuisson (EC electric hob)		191,9 Wh / kg


EN 60350-2 - Appareils de cuisson domestiques électriques - Partie 2 : Tables de cuisson - Méthodes de mesure des performances


10.2 Économie d'énergie

Vous pouvez économiser de l'énergie au quotidien en suivant les conseils suivants.

- Si vous faites chauffer de l'eau, ne faites chauffer que la quantité dont vous avez réellement besoin.
- Si possible, couvrez toujours les récipients de cuisson avec un couvercle pendant la cuisson.
- Activez toujours la zone de cuisson après avoir posé le récipient dessus.
- Le fond du récipient doit avoir le même diamètre que la zone de cuisson.
- Placez les plus petits récipients sur les plus petites zones de cuisson.
- Posez directement le récipient au centre de la zone de cuisson.
- Vous pouvez utiliser la chaleur résiduelle pour conserver les aliments au chaud ou pour faire fondre.

11. EN MATIÈRE DE PROTECTION DE L'ENVIRONNEMENT

Recyclez les matériaux portant le symbole . Déposez les emballages dans les conteneurs prévus à cet effet. Contribuez à la protection de l'environnement et à votre sécurité, recyclez vos produits électriques et

électroniques. Ne jetez pas les appareils portant le symbole  avec les ordures ménagères. Emmenez un tel produit dans votre centre local de recyclage ou contactez vos services municipaux.

INHALTSVERZEICHNIS

1. SICHERHEITSHINWEISE.....	32
2. SICHERHEITSANWEISUNGEN.....	35
3. MONTAGE.....	37
4. GERÄTEBESCHREIBUNG.....	39
5. TÄGLICHER GEBRAUCH.....	40
6. TIPPS UND HINWEISE.....	41
7. REINIGUNG UND PFLEGE.....	42
8. FEHLERSUCHE.....	43
9. TECHNISCHE DATEN.....	45
10. ENERGIEEFFIZIENZ.....	45

FÜR PERFEKTE ERGEBNISSE

Danke, dass Sie sich für dieses AEG Produkt entschieden haben. Wir haben es geschaffen, damit Sie viele Jahre von seiner ausgezeichneten Leistung und den innovativen Technologien, die Ihnen das Leben erleichtern, profitieren können. Es ist mit Funktionen ausgestattet, die in gewöhnlichen Geräten nicht vorhanden sind. Nehmen Sie sich ein paar Minuten Zeit zum Lesen, um seine Vorzüge kennen zu lernen.

Besuchen Sie uns auf unserer Website, um:



Sich Anwendungshinweise, Prospekte, Fehlerbehebungs- und Service-Informationen zu holen:

www.aeg.com/webselfservice



Ihr Produkt für einen besseren Service zu registrieren:

www.registreaeg.com



Zubehör, Verbrauchsmaterial und Original-Ersatzteile für Ihr Gerät zu kaufen:

www.aeg.com/shop

REPARATUR- UND KUNDENDIENST

Bitte verwenden Sie ausschließlich Original-Ersatzteile für Ihre Produkte. Halten Sie folgende Angaben bereit, wenn Sie sich an den Kundendienst wenden: Modell, Produktnummer (PNC), Seriennummer. Diese Informationen finden Sie auf dem Typenschild.

 Warnungs-/Sicherheitshinweise

 Allgemeine Informationen und Empfehlungen

 Informationen zum Umweltschutz

Änderungen vorbehalten.

1. SICHERHEITSHINWEISE

Lesen Sie vor der Montage und dem Gebrauch des Geräts zuerst die Gebrauchsanleitung. Bei Verletzungen oder Schäden infolge nicht ordnungsgemäßer Montage

oder Verwendung des Geräts übernimmt der Hersteller keine Haftung. Bewahren Sie die Anleitung immer an einem sicheren und zugänglichen Ort zum späteren Nachschlagen auf.

1.1 Sicherheit von Kindern und schutzbedürftigen Personen

- Das Gerät kann von Kindern ab 8 Jahren und Personen mit eingeschränkten physischen, sensorischen oder geistigen Fähigkeiten oder mit mangelnder Erfahrung und/oder mangelndem Wissen nur dann verwendet werden, wenn sie durch eine für ihre Sicherheit zuständige Person beaufsichtigt werden oder in die sichere Verwendung des Geräts eingewiesen wurden und die mit dem Gerät verbundenen Gefahren verstanden haben.
- Kinder dürfen nicht mit dem Gerät spielen.
- Halten Sie sämtliches Verpackungsmaterial von Kindern fern und entsorgen Sie es auf angemessene Weise.
- Halten Sie Kinder und Haustiere während des Betriebs oder der Abkühlphase vom Gerät fern. Berührbare Teile sind heiß.
- Falls Ihr Gerät mit einer Kindersicherung ausgestattet ist, empfehlen wir, diese einzuschalten.
- Kinder dürfen keine Reinigung und Wartung ohne Beaufsichtigung durchführen.
- Kinder bis zu 3 Jahren sind während des Betriebs unbedingt von dem Gerät fernzuhalten.

1.2 Allgemeine Sicherheit

- **WARNUNG:** Das Gerät und die zugänglichen Geräteteile werden während des Betriebs heiß. Seien Sie vorsichtig und berühren Sie niemals die Heizelemente. Halten Sie Kinder unter 8 Jahren vom Gerät fern, wenn sie nicht ständig beaufsichtigt werden.

- Schalten Sie das Gerät nicht über eine externe Zeitschaltuhr oder eine separate Fernsteuerung ein.
- **WARNUNG:** Kochen mit Fett oder Öl auf einem unbeaufsichtigten Kochfeld ist gefährlich und kann zu einem Brand führen.
- Versuchen Sie **NIEMALS** einen Brand mit Wasser zu löschen, sondern schalten Sie das Gerät aus und bedecken Sie die Flamme mit einem Deckel oder einer Feuerlöschdecke.
- **VORSICHT:** Der Kochvorgang muss überwacht werden. Ein kurzer Kochvorgang muss kontinuierlich überwacht werden.
- **WARNUNG:** Brandgefahr: Legen Sie keine Gegenstände auf dem Kochfeld ab.
- Legen Sie keine Metallgegenstände wie Messer, Gabeln, Löffel oder Topfdeckel auf die Oberfläche des Kochfelds, da diese heiß werden können.
- Benutzen Sie zum Reinigen des Geräts keinen Dampfreiniger.
- Hat die Glaskeramik-/Glasoberfläche einen Sprung, schalten Sie den Backofen aus und nehmen Sie ihn vom Stromnetz. Falls das Gerät direkt mit dem Stromnetz verbunden ist und nicht getrennt werden kann, nehmen Sie die Sicherung für den Anschluss heraus, um die Stromversorgung zu unterbrechen. Verständigen Sie in jedem Fall den entsprechenden, autorisierten Kundendienst.
- Wenn das Netzkabel beschädigt ist, muss es vom Hersteller, einem autorisierten Kundendienst oder einer gleichermaßen qualifizierten Person ausgetauscht werden, um Gefahrenquellen zu vermeiden.
- **WARNUNG:** Verwenden Sie nur Schutzabdeckungen des Herstellers des Kochgeräts, von ihm in der Bedienungsanleitung als geeignete und empfohlene Schutzabdeckungen oder die im Gerät enthaltene Schutzabdeckung. Es besteht Unfallgefahr durch die Verwendung ungeeigneter Schutzabdeckungen.

2. SICHERHEITSANWEISUNGEN

2.1 Montage



WARNUNG!

Die Montage des Geräts darf nur von einer qualifizierten Fachkraft durchgeführt werden.



WARNUNG!

Verletzungsgefahr sowie Risiko von Schäden am Gerät.

- Entfernen Sie das gesamte Verpackungsmaterial.
- Montieren Sie ein beschädigtes Gerät nicht und benutzen Sie es nicht.
- Halten Sie sich an die mitgelieferte Montageanleitung.
- Die Mindestabstände zu anderen Geräten und Küchenmöbeln sind einzuhalten.
- Seien Sie beim Umsetzen des Gerätes vorsichtig, da es sehr schwer ist. Tragen Sie stets Sicherheitshandschuhe und festes Schuhwerk.
- Dichten Sie die Ausschnittskanten mit einem Dichtungsmittel ab, um ein Aufquellen durch Feuchtigkeit zu verhindern.
- Schützen Sie die Geräteunterseite vor Dampf und Feuchtigkeit.
- Installieren Sie das Gerät nicht direkt neben einer Tür oder unter einem Fenster. So kann heißes Kochgeschirr nicht herunterfallen, wenn die Tür oder das Fenster geöffnet wird.
- Wird das Gerät über Schubladen eingebaut, achten Sie darauf, dass zwischen dem Geräteboden und der oberen Schublade ein ausreichender Abstand für die Luftzirkulation vorhanden ist.
- Der Boden des Geräts kann heiß werden. Achten Sie darauf eine feuerfeste Trennplatte aus Sperrholz, Küchenmöbelmaterial oder einem anderen nichtentflammaren Material unter dem Gerät anzubringen, damit der Boden nicht zugänglich ist.

2.2 Elektrischer Anschluss



WARNUNG!

Brand- und Stromschlaggefahr.

- Alle elektrischen Anschlüsse sind von einem geprüften Elektriker vorzunehmen.
- Das Gerät muss geerdet sein.
- Vor der Durchführung jeglicher Arbeiten muss das Gerät von der elektrischen Stromversorgung getrennt werden.
- Stellen Sie sicher, dass die Daten auf dem Typenschild mit den elektrischen Nennwerten der Netzspannung übereinstimmen.
- Vergewissern Sie sich, dass das Gerät ordnungsgemäß installiert ist. Lockere und unsachgemäße Kabel oder Stecker (falls vorhanden) können die Klemme überhitzen.
- Stellen Sie sicher, dass Sie das richtige Kabel für den elektrischen Netzanschluss verwenden.
- Achten Sie darauf, dass das Netzkabel nicht lose hängt oder sich verheddert.
- Sorgen Sie dafür, dass ein Berührungsschutz installiert wird.
- Verwenden Sie die Zugentlastung für das Kabel.
- Stellen Sie beim elektrischen Anschluss des Gerätes sicher, dass das Netzkabel oder ggf. der Netzstecker nicht mit dem heißen Gerät oder heißem Kochgeschirr in Berührung kommt.
- Verwenden Sie keine Mehrfachsteckdosen oder Verlängerungskabel.
- Achten Sie darauf, Netzstecker (falls vorhanden) und Netzkabel nicht zu beschädigen. Wenden Sie sich zum Austausch eines beschädigten Netzkabels an unseren autorisierten Kundendienst oder eine Elektrofachkraft.
- Alle Teile, die gegen direktes Berühren schützen, sowie die isolierten Teile müssen so befestigt werden, dass sie nicht ohne Werkzeug entfernt werden können.

- Stecken Sie den Netzstecker erst nach Abschluss der Montage in die Steckdose. Stellen Sie sicher, dass der Netzstecker nach der Montage noch zugänglich ist.
- Falls die Steckdose lose ist, schließen Sie den Netzstecker nicht an.
- Ziehen Sie nicht am Netzkabel, wenn Sie das Gerät von der Stromversorgung trennen möchten. Ziehen Sie stets am Netzstecker.
- Verwenden Sie nur geeignete Trenneinrichtungen: Überlastschalter, Sicherungen (Schraubsicherungen müssen aus dem Halter entfernt werden können), Fehlerstromschutzschalter und Schütze.
- Die elektrische Installation muss eine Trenneinrichtung aufweisen, mit der Sie das Gerät allpolig von der Stromversorgung trennen können. Die Trenneinrichtung muss mit einer Kontaktöffnungsweite von mindestens 3 mm ausgeführt sein.
- Hat die Geräteoberfläche einen Sprung, trennen Sie das Gerät umgehend von der Spannungsversorgung. Dies dient zur Vermeidung eines Stromschlags.
- Wenn Sie Nahrungsmittel in heißes Öl geben, kann dieses spritzen.

**WARNUNG!**

Brand- und Explosionsgefahr

- Erhitzte Öle und Fette können brennbare Dämpfe freisetzen. Halten Sie Flammen und erhitzte Gegenstände beim Kochen mit Fetten und Ölen von diesen fern.
- Die von sehr heißem Öl freigesetzten Dämpfe können eine Selbstzündung verursachen.
- Bereits verwendetes Öl kann Lebensmittelreste enthalten und schon bei niedrigeren Temperaturen eher einen Brand verursachen als frisches Öl.
- Laden Sie keine entflammaren Produkte oder Gegenstände, die mit entflammaren Produkten benetzt sind, in das Gerät und stellen Sie solche nicht in die Nähe oder auf das Gerät.

2.3 Gebrauch

**WARNUNG!**

Verletzungs-, Verbrennungs- und Stromschlaggefahr.

- Entfernen Sie vor dem ersten Gebrauch das gesamte Verpackungsmaterial, die Aufkleber und Schutzfolie (falls vorhanden).
- Das Gerät ist für die Verwendung im Haushalt vorgesehen.
- Nehmen Sie keine technischen Änderungen am Gerät vor.
- Die Lüftungsöffnungen dürfen nicht abgedeckt werden.
- Lassen Sie das Gerät bei Betrieb nicht unbeaufsichtigt.
- Schalten Sie die Kochzonen nach jedem Gebrauch aus.
- Legen Sie kein Besteck und keine Topfdeckel auf die Kochzonen. Anderenfalls werden sie sehr heiß.
- Bedienen Sie das Gerät nicht mit feuchten oder nassen Händen oder wenn es mit Wasser in Kontakt gekommen ist.
- Benutzen Sie das Gerät nicht als Arbeits- oder Abstellfläche.
- Stellen Sie kein heißes Kochgeschirr auf das Bedienfeld.
- Stellen Sie keine heißen Pfannen auf die Glasoberfläche des Kochfeldes.
- Lassen Sie das Kochgeschirr nicht leerkochen.
- Lassen Sie keine Gegenstände oder Kochgeschirr auf das Gerät fallen. Die Oberfläche könnte beschädigt werden.
- Schalten Sie die Kochzonen niemals ein, wenn sich kein Kochgeschirr darauf befindet, oder wenn das Kochgeschirr leer ist.
- Legen Sie keine Alufolie auf das Gerät.
- Kochgeschirr aus Gusseisen, Aluminium oder mit beschädigten Böden kann die Glas- bzw. Glaskeramikoberfläche verkratzen. Heben Sie das Kochgeschirr stets an,

**WARNUNG!**

Das Gerät könnte beschädigt werden.

wenn Sie es auf dem Kochfeld umsetzen möchten.

- Dieses Gerät ist nur zum Kochen bestimmt. Jeder andere Gebrauch ist als bestimmungsfremd anzusehen, zum Beispiel das Beheizen eines Raums.

2.4 Reinigung und Pflege

- Reinigen Sie das Gerät regelmäßig, um eine Verschlechterung des Oberflächenmaterials zu verhindern.
- Schalten Sie das Gerät vor dem Reinigen aus und lassen Sie es abkühlen.
- Trennen Sie das Gerät vor Wartungsarbeiten von der Spannungsversorgung.
- Reinigen Sie das Gerät nicht mit Wasserspray oder Dampf.
- Reinigen Sie das Gerät mit einem weichen, feuchten Tuch. Verwenden Sie ausschließlich Neutralreiniger. Benutzen Sie keine Scheuermittel, scheuernde Reinigungsschwämmchen,

Lösungsmittel oder Metallgegenstände.

2.5 Entsorgung



WARNUNG!

Verletzungs- und Erstickungsgefahr.

- Für Informationen zur ordnungsgemäßen Entsorgung des Geräts wenden Sie sich an die zuständige kommunale Behörde vor Ort.
- Trennen Sie das Gerät von der Stromversorgung.
- Schneiden Sie das Netzkabel in der Nähe des Geräts ab, und entsorgen Sie es.

2.6 Service

- Wenden Sie sich zur Reparatur des Geräts an einen autorisierten Kundendienst.
- Verwenden Sie ausschließlich Originalersatzteile.

3. MONTAGE



WARNUNG!

Siehe Kapitel Sicherheitshinweise.

3.1 Vor der Montage

Notieren Sie vor der Montage des Kochfelds folgende Daten, die Sie auf dem Typenschild finden. Das Typenschild ist auf dem Boden des Kochfelds angebracht.

Seriennummer

3.2 Einbau-Kochfelder

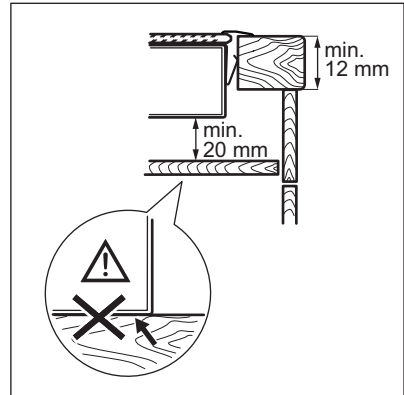
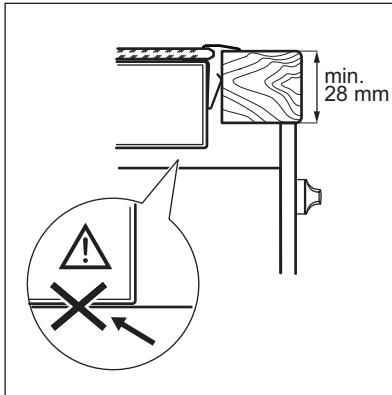
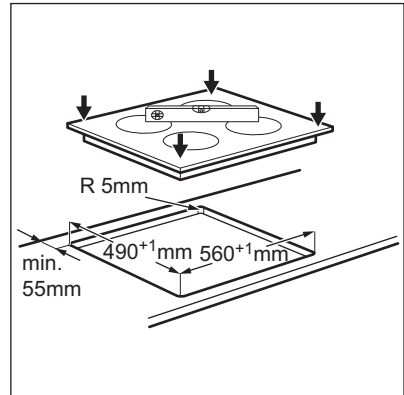
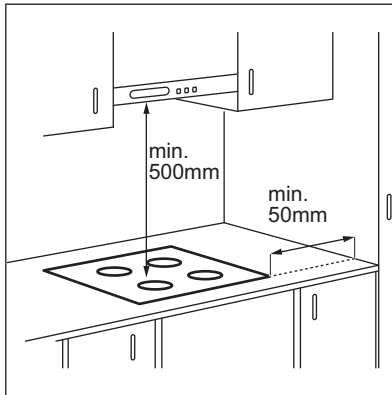
Einbau-Kochfelder dürfen nur nach dem Einbau in bzw. unter normgerechte,

passende Einbauschränke und Arbeitsplatten betrieben werden.

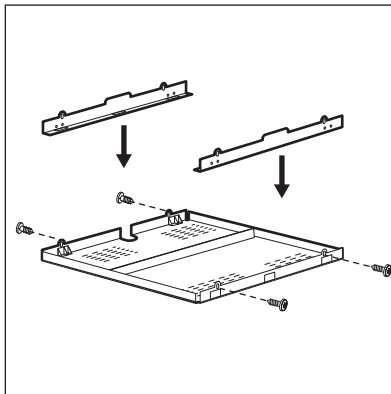
3.3 Anschlusskabel

- Das Kochfeld wird mit einem Anschlusskabel geliefert.
- Ersetzen Sie ein defektes Netzkabel durch den Kabeltyp H05V2V2-F, der einer Temperatur von mindestens 90 °C standhält. Wenden Sie sich an den Kundendienst vor Ort.

3.4 Montage



3.5 Schutzboden

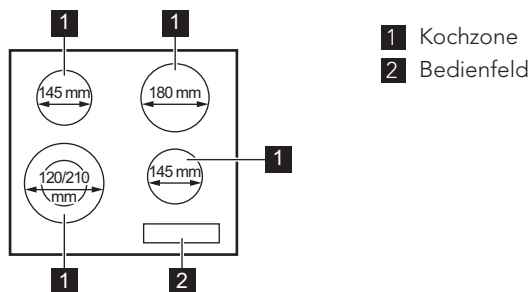


Falls Sie einen Schutzboden (optionales Zubehör) verwenden, ist die Schutzmatte direkt unter dem Gerät nicht nötig. Der Schutzboden ist möglicherweise in einigen Ländern nicht erhältlich. Wenden Sie sich an Ihren Händler vor Ort.

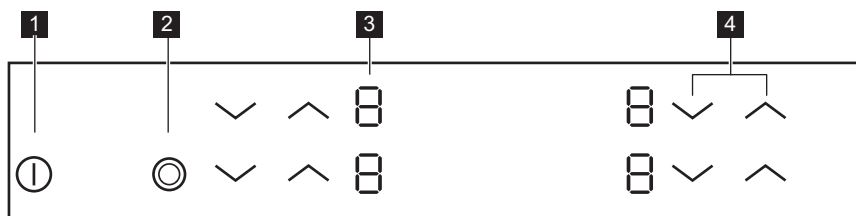
- i** Wenn Sie das Kochfeld über einem Backofen einsetzen, können Sie den Schutzboden nicht verwenden.

4. GERÄTEBESCHREIBUNG

4.1 Kochfeldanordnung



4.2 Bedienfeldanordnung



Bedienen Sie das Gerät über die Sensorefelder. Die Anzeigen, Kontrolllampen und akustischen Signale informieren Sie über die aktiven Funktionen.

Sensorefeld	Funktion	Kommentar	
1	⓪	EIN/AUS	Ein- und Ausschalten des Kochfeldes.
2	⦿	-	Ein- und Ausschalten des äußeren Kreises.
3	-	Kochstufenanzeige	Zeigt die Kochstufe an.
4	⤴ / ⤵	-	Einstellen der Kochstufe.

4.3 Anzeigen der Kochstufen

Display	Beschreibung
⓪	Die Kochzone ist ausgeschaltet.
1 - 9	Die Kochzone ist eingeschaltet.

Display	Beschreibung
+ Zahl	Eine Störung ist aufgetreten.
	Eine Kochzone ist noch heiß (Restwärme).
	Kindersicherung ist aktiviert.
	Abschaltautomatik ist aktiviert.

4.4 Restwärmeanzeige



WARNUNG!

Es besteht Verbrennungsgefahr durch Restwärme.

5. TÄGLICHER GEBRAUCH



WARNUNG!

Siehe Kapitel Sicherheitshinweise.

5.1 Ein- und Ausschalten

Berühren Sie 1 Sekunde lang, um das Kochfeld ein- oder auszuschalten.

5.2 Abschaltautomatik

Mit dieser Funktion wird das Kochfeld in folgenden Fällen automatisch ausgeschaltet:

- Alle Kochzonen sind ausgeschaltet.
- Nach dem Einschalten des Kochfelds wird keine Kochstufe gewählt.
- Das Bedienfeld ist mehr als 10 Sekunden mit verschütteten Lebensmitteln oder einem Gegenstand bedeckt (Topf, Tuch usw.). Ein akustisches Signal ertönt und das Kochfeld schaltet ab. Entfernen Sie den Gegenstand oder reinigen Sie das Bedienfeld.
- Eine Kochzone wurde nicht ausgeschaltet bzw. die Kochstufe wurde nicht geändert. Nach einer Weile leuchtet auf und das Kochfeld schaltet sich aus.

Verhältnis zwischen der Kochstufe und der Zeit, nach der das Kochfeld ausgeschaltet wird:

Kochstufe	Das Kochfeld wird ausgeschaltet nach
1 - 2	6 Stunden
3 - 4	5 Stunden
5	4 Stunden
6 - 9	1,5 Stunden

5.3 Einstellen der Kochstufe

Berühren Sie , um die Kochstufeneinstellung zu erhöhen.
Berühren Sie , um die Kochstufeneinstellung zu verringern.
Berühren Sie zum Ausschalten der Kochzone und gleichzeitig.

5.4 Ein- und Ausschalten der äußeren Heizkreise

Die Kochflächen können an die Größe des Kochgeschirrs angepasst werden.

Verwenden Sie das Sensorfeld:

Einschalten des äußeren Heizkreises:

Berühren Sie das Sensorfeld. Die Kontrolllampe leuchtet auf.

Ausschalten des äußeren Heizkreises:

Berühren Sie das Sensorfeld, bis die Kontrolllampe erlischt.

5.5 Kindersicherung

Diese Funktion verhindert ein versehentliches Einschalten des Kochfelds.

Zum Starten der Funktion: Schalten Sie das Kochfeld mit ① ein. Stellen Sie keine Kochstufe ein. Berühren Sie ✓ der beiden vorderen Kochzonen gleichzeitig 4 Sekunden lang. ② leuchtet. Schalten Sie das Kochfeld mit ① aus.

Zum Ausschalten der Funktion: Schalten Sie das Kochfeld mit ① ein. Stellen Sie

keine Kochstufe ein. Berühren Sie ✓ der beiden vorderen Kochzonen gleichzeitig 4 Sekunden lang. ② leuchtet. Schalten Sie das Kochfeld mit ① aus.

Vorübergehendes Ausschalten der Funktion für einen einzelnen Kochvorgang:

Schalten Sie das Kochfeld mit ① ein. ② leuchtet. Berühren Sie ✓ der beiden vorderen Kochzonen gleichzeitig 4 Sekunden lang. **Stellen Sie die Kochstufe innerhalb von 10 Sekunden ein.** Das Kochfeld kann jetzt bedient werden. Wenn Sie das Kochfeld mit ① ausschalten, wird diese Funktion wieder eingeschaltet.

6. TIPPS UND HINWEISE**WARNUNG!**

Siehe Kapitel Sicherheitshinweise.

6.1 Kochgeschirr

Der Boden des Kochgeschirrs sollte so dick und flach wie möglich sein.



Kochgeschirr aus Stahlemaille oder mit Aluminium- oder Kupferböden kann Verfärbungen der Glaskeramikoberfläche verursachen.

6.2 Anwendungsbeispiele für das Garen

Bei den Angaben in der folgenden Tabelle handelt es sich um Richtwerte.

Kochstufe	Verwendung:	Dauer (Min.)	Hinweise
1	Warmhalten von gegarten Speisen.	Nach Bedarf	Legen Sie einen Deckel auf das Kochgeschirr.
1 - 2	Sauce Hollandaise, Schmelzen von: Butter, Schokolade, Gelatine.	5 - 25	Gelegentlich umrühren.
1 - 2	Stocken: Lockere Omeletts, gebackene Eier.	10 - 40	Mit Deckel garen.

Kochstufe	Verwendung:	Dauer (Min.)	Hinweise
2 - 3	Köcheln von Reis und Milchgerichten, Erhitzen von Fertiggerichten.	25 - 50	Mindestens doppelte Menge Flüssigkeit zum Reis geben, Milchgerichte nach der Hälfte der Zeit umrühren.
3 - 4	Dünsten von Gemüse, Fisch, Fleisch.	20 - 45	Einige Esslöffel Flüssigkeit zugeben.
4 - 5	Dampfgaren von Kartoffeln.	20 - 60	Max. ¼ l Wasser für 750 g Kartoffeln verwenden.
4 - 5	Kochen größerer Speisemengen, Eintopfgerichte und Suppen.	60 - 150	Bis zu 3 l Flüssigkeit plus Zutaten.
6 - 7	Bei geringer Hitze anbraten: Schnitzel, Cordon bleu, Kotelett, Frikadellen, Bratwürste, Leber, Mehlschwitze, Eier, Pfannkuchen, Donuts.	Nach Bedarf	Nach der Hälfte der Zeit wenden.
7 - 8	Braten bei starker Hitze: Rösti, Lendenstücke, Steaks.	5 - 15	Nach der Hälfte der Zeit wenden.
9	Aufkochen von Wasser, Nudeln kochen, Anbraten von Fleisch (Gulasch, Schmorbraten), Frittieren von Pommes frites.		

7. REINIGUNG UND PFLEGE



WARNUNG!

Siehe Kapitel Sicherheitshinweise.

7.1 Allgemeine Informationen

- Reinigen Sie das Kochfeld nach jedem Gebrauch.
- Achten Sie immer darauf, dass der Boden des Kochgeschirrs sauber ist.
- Kratzer oder dunkle Flecken auf der Oberfläche beeinträchtigen die Funktionsfähigkeit des Kochfelds nicht.
- Verwenden Sie einen Spezialreiniger zur Reinigung der Kochfeldoberfläche.
- Verwenden Sie einen speziellen Reinigungsschaber für Glas.

7.2 Reinigen des Kochfelds

- **Folgendes muss sofort entfernt werden:** geschmolzener Kunststoff, Plastikfolie, Zucker bzw. zuckerhaltige Lebensmittel. Andernfalls können die Verschmutzungen das Kochfeld beschädigen. Achten Sie darauf, dass sich niemand Verbrennungen zuzieht. Den speziellen Reinigungsschaber schräg zur Glasfläche ansetzen und über die Oberfläche bewegen.
- **Folgendes kann nach ausreichender Abkühlung des Kochfelds entfernt werden:** Kalk- und Wasserränder, Fettspritzer und metallisch schimmernde Verfärbungen. Reinigen Sie das Kochfeld mit einem feuchten Tuch und nicht scheuernden Reinigungsmittel. Wischen Sie das Kochfeld nach der Reinigung mit einem weichen Tuch trocken.

- **Entfernen Sie metallisch schimmernde Verfärbungen:**
Benutzen Sie für die Reinigung der Glasoberfläche ein mit einer Lösung

aus Essig und Wasser angefeuchtetes Tuch.

8. FEHLERSUCHE








WARNUNG!

Siehe Kapitel
Sicherheitshinweise.

8.1 Was tun, wenn ...

Störung	Mögliche Ursache	Abhilfe
Das Kochfeld kann nicht eingeschaltet oder bedient werden.	Das Kochfeld ist nicht oder nicht ordnungsgemäß an die Spannungsversorgung angeschlossen.	Prüfen Sie, ob das Kochfeld ordnungsgemäß an die Spannungsversorgung angeschlossen ist. Nehmen Sie dazu den Anschlussplan zu Hilfe.
	Die Sicherung ist durchgebrannt.	Vergewissern Sie sich, dass die Sicherung der Grund für die Störung ist. Brennt die Sicherung wiederholt durch, wenden Sie sich an eine zugelassene Elektrofachkraft.
		Schalten Sie das Kochfeld erneut ein und stellen Sie innerhalb von 10 Sekunden die Kochstufe ein.
	Zwei oder mehr Sensorfelder wurden gleichzeitig berührt.	Berühren Sie nur ein Sensorfeld.
	Auf dem Bedienfeld befinden sich Wasser- oder Fettspritzer.	Wischen Sie das Bedienfeld ab.
Ein akustisches Signal ertönt und das Kochfeld schaltet ab. Wenn das Kochfeld ausgeschaltet wird, ertönt ein akustisches Signal.	Mindestens ein Sensorfeld wurde bedeckt.	Entfernen Sie den Gegenstand von den Sensorfeldern.
Das Kochfeld wird ausgeschaltet.	Sie haben etwas auf das Sensorfeld ① gestellt.	Entfernen Sie den Gegenstand vom Sensorfeld.

Störung	Mögliche Ursache	Abhilfe
Die Restwärmanzeige funktioniert nicht.	Die Kochzone ist nicht heiß, da sie nur kurze Zeit in Betrieb war.	War die Kochzone lange genug eingeschaltet, um heiß zu sein, wenden Sie sich an den autorisierten Kundendienst.
Der äußere Heizkreis lässt sich nicht einschalten.		Schalten Sie zuerst den inneren Heizkreis ein.
 In der Mehrkreis-Kochzone befindet sich ein dunkler Bereich.	Es ist normal, dass sich in der Mehrkreis-Kochzone ein dunkler Bereich befindet.	
Die Sensorfelder werden heiß.	Das Kochgeschirr ist zu groß, oder Sie haben es zu nahe an die Bedienelemente gestellt.	Stellen Sie großes Kochgeschirr nach Möglichkeit auf die hinteren Kochzonen.
 leuchtet auf.	Die Abschaltautomatik hat ausgelöst.	Schalten Sie das Kochfeld aus und wieder ein.
 leuchtet auf.	Die Kindersicherung ist eingeschaltet.	Siehe Kapitel „Täglicher Gebrauch“.
 und eine Zahl werden angezeigt.	Es ist ein Fehler im Kochfeld aufgetreten.	Trennen Sie das Kochfeld eine Zeit lang vom Stromnetz. Schalten Sie die Sicherung im Sicherungskasten der Hausinstallation aus. Schalten Sie die Sicherung wieder ein. Wenn  erneut aufleuchtet, wenden Sie sich an den autorisierten Kundendienst.
E6 leuchtet auf.	Die zweite Phase der Stromversorgung fehlt.	Prüfen Sie, ob das Kochfeld ordnungsgemäß an die Spannungsversorgung angeschlossen ist. Nehmen Sie die Sicherung heraus, warten Sie eine Minute und setzen Sie die Sicherung wieder ein.

8.2 Wenn Sie das Problem nicht lösen können...

Wenn Sie das Problem nicht selbst lösen können, wenden Sie sich an Ihren Händler oder einen autorisierten Kundendienst. Geben Sie die Daten, die Sie auf dem Typenschild finden, an.

Geben Sie dabei den dreistelligen Buchstaben-Code für die Glaskeramik (befindet sich in der Ecke der Glasfläche) und die angezeigte Fehlermeldung an. Vergewissern Sie sich, dass Sie das Kochfeld korrekt bedient haben. Wenn Sie das Gerät falsch bedient haben, fällt auch während der Garantiezeit für die

Reparatur durch einen Techniker oder Händler eine Gebühr an. Die Informationen zum Kundendienst und

die Garantiebedingungen finden Sie im Garantieheft.

9. TECHNISCHE DATEN

9.1 Typenschild

Modell HK624010XB
Typ 60 HAD 03 AO

Ser. Nr.
AEG

Produkt-Nummer (PNC) 949 492 128 01
220 - 240 V, 50 - 60 Hz
Made in Romania
6.4 kW



9.2 Technische Daten der Kochzonen

Kochzone	Nennleistung (höchste Kochstufe) [W]	Durchmesser der Kochzone [mm]
Vorne links	750 / 2200	120 / 210
Hinten links	1200	145
Vorne rechts	1200	145
Hinten rechts	1800	180

Verwenden Sie für optimale Kochergebnisse kein Kochgeschirr,

dessen Durchmesser größer als der der Kochzone ist.

10. ENERGIEEFFIZIENZ

10.1 Produktinformationen gemäß EU 66/2014

Modellidentifikation		HK624010XB
Kochfeldtyp		Einbau-Kochfeld
Anzahl der Kochzonen		4
Heiztechnologie		Kochzone mit Strahlungsbeheizung
Durchmesser der kreisförmigen Kochzonen (Ø)	Vorne links	21,0 cm
	Hinten links	14,5 cm
	Vorne rechts	14,5 cm
	Hinten rechts	18,0 cm
Energieverbrauch pro Kochzone (EC electric cooking)	Vorne links	200,1 Wh/kg
	Hinten links	188,0 Wh/kg
	Vorne rechts	188,0 Wh/kg
	Hinten rechts	191,6 Wh/kg

Energieverbrauch des
Kochfelds (EC electric hob)

191,9 Wh/kg

EN 60350-2 - Elektrische Kochgeräte für den Hausgebrauch - Teil 2: Kochfelder - Verfahren zur Messung der Gebrauchseigenschaften


10.2 Energie sparen


Beachten Sie folgende Tipps, um beim täglichen Kochen Energie zu sparen.

- Wenn Sie Wasser erwärmen, verwenden Sie nur die benötigte Menge.
- Decken Sie Kochgeschirr, wenn möglich, mit einem Deckel ab.

- Stellen Sie Kochgeschirr auf die Kochzone, bevor Sie sie einschalten.
- Der Boden des Kochgeschirrs sollte denselben Durchmesser wie die Kochzone haben.
- Stellen Sie kleineres Kochgeschirr auf die kleineren Kochzonen.
- Stellen Sie das Kochgeschirr mittig auf die Kochzone.
- Nutzen Sie die Restwärme, um die Speisen warm zu halten oder zu schmelzen.

11. UMWELTTIPPS

Recyceln Sie Materialien mit dem Symbol . Entsorgen Sie die Verpackung in den entsprechenden Recyclingbehältern. Recyceln Sie zum Umwelt- und Gesundheitsschutz elektrische und elektronische Geräte. Entsorgen Sie

Geräte mit diesem Symbol  nicht mit dem Hausmüll. Bringen Sie das Gerät zu Ihrer örtlichen Sammelstelle oder wenden Sie sich an Ihr Gemeindeamt.

INDICE

1. INFORMAZIONI DI SICUREZZA.....	47
2. ISTRUZIONI DI SICUREZZA.....	50
3. INSTALLAZIONE.....	52
4. DESCRIZIONE DEL PRODOTTO.....	54
5. UTILIZZO QUOTIDIANO.....	55
6. CONSIGLI E SUGGERIMENTI UTILI.....	56
7. PULIZIA E CURA.....	57
8. RISOLUZIONE DEI PROBLEMI.....	58
9. DATI TECNICI.....	60
10. EFFICIENZA ENERGETICA.....	60

PER RISULTATI PERFETTI

Grazie per aver scelto di acquistare questo prodotto AEG. Lo abbiamo creato per fornirvi prestazioni impeccabili per molti anni, grazie a tecnologie innovative che vi semplificheranno la vita - funzioni che non troverete sulle normali apparecchiature. Vi invitiamo a dedicare qualche minuto alla lettura del presente manuale, per conoscere come trarre il massimo vantaggio dall'utilizzo della vostra apparecchiatura.

Visitate il nostro sito web per:



Ricevere consigli d'uso, scaricare i nostri opuscoli, eliminare eventuali anomalie, ottenere informazioni sull'assistenza:

www.aeg.com/webservice



Registrare il vostro prodotto e ricevere un servizio migliore:

www.registreaeg.com



Acquistare accessori, materiali di consumo e ricambi originali per la vostra apparecchiatura:


www.aeg.com/shop


SERVIZIO CLIENTI E MANUTENZIONE

Consigliamo sempre l'impiego di ricambi originali.

Quando si contatta il Centro di Assistenza autorizzato, accertarsi di disporre dei seguenti dati: Modello, numero dell'apparecchio (PNC), numero di serie.

Le informazioni si trovano sulla targhetta di identificazione.

 Avvertenza/Attenzione - Importanti Informazioni per la sicurezza

 Informazioni e suggerimenti generali

 Informazioni sull'ambiente

Con riserva di modifiche.

1. INFORMAZIONI DI SICUREZZA

Leggere attentamente le istruzioni fornite prima di installare e utilizzare l'apparecchiatura. I produttori non sono responsabili di eventuali lesioni o danni derivanti

da un'installazione o un uso scorretti. Conservare sempre le istruzioni in un luogo sicuro e accessibile per poterle consultare in futuro.

1.1 Sicurezza dei bambini e delle persone vulnerabili

- Questa apparecchiatura può essere usata da bambini a partire dagli 8 anni e da adulti con limitate capacità fisiche, sensoriali o mentali o con scarsa esperienza o conoscenza sull'uso dell'apparecchiatura, solamente se sorvegliati o se istruiti relativamente all'uso dell'apparecchiatura e se hanno compreso i rischi coinvolti.
- Non consentire ai bambini di giocare con l'apparecchiatura.
- Tenere gli imballaggi lontano dai bambini e smaltirli in modo adeguato.
- Tenere i bambini e gli animali domestici lontano dall'apparecchiatura durante il funzionamento o raffreddamento. Le parti accessibili sono incandescenti.
- Se l'apparecchiatura ha un dispositivo di sicurezza per i bambini sarà opportuno attivarlo.
- I bambini non devono eseguire interventi di pulizia e manutenzione sull'apparecchiatura senza essere supervisionati.
- I bambini di 3 anni e di età inferiore vanno tenuti alla larga dall'apparecchiatura quando è in funzione, in ogni momento.

1.2 Avvertenze di sicurezza generali

- **AVVERTENZA:** L'apparecchiatura e le parti accessibili si riscaldano molto durante l'uso. Abbiate cura di non toccare gli elementi riscaldanti. Tenere lontani i bambini al di sotto dei 8 anni se non costantemente supervisionati.

- Non utilizzare un timer esterno o un sistema di controllo remoto distinto per mettere in funzione l'apparecchiatura.
- **AVVERTENZA:** Non lasciare mai il piano di cottura incustodito durante la preparazione di cibi in quanto olio e grassi potrebbero provocare un incendio.
- Non tentare MAI di spegnere un incendio con dell'acqua; spegnere l'apparecchiatura e coprire le fiamme ad es. con un coperchio o una coperta di protezione dal fuoco.
- **ATTENZIONE:** Il processo di cottura deve essere sorvegliato. Un breve processo di cottura deve essere supervisionato senza soluzione di continuità.
- **AVVERTENZA:** Pericolo di incendio: Non conservare nulla sulle superfici di cottura.
- Oggetti metallici quali coltelli, forchette, cucchiari e coperchi non dovrebbero essere posti sulla superficie del piano di cottura in quanto possono diventare caldi.
- Non usare una pulitrice a vapore per pulire l'apparecchiatura.
- Se la superficie di vetroceramica/vetro presenta delle crepe, spegnere l'apparecchiatura e scollegarla dalla presa di corrente. Qualora l'apparecchiatura sia collegata direttamente alla corrente mediante una scatola di derivazione, togliere il fusibile per scollegarlo dall'alimentazione. Invitiamo in entrambi i casi a contattare il Centro Servizi Autorizzato.
- Se il cavo di alimentazione è danneggiato, deve essere sostituito dal produttore, da un tecnico autorizzato o da una persona qualificata per evitare situazioni di pericolo.
- **AVVERTENZA:** Servirsi unicamente di protezioni per il piano cottura progettate dal produttore dell'apparecchiatura o indicate dallo stesso nelle istruzioni d'uso, ad esempio accessori idonei o le protezioni del piano cottura incorporate

nell'apparecchiatura. L'uso inadeguato delle protezioni può causare incidenti.

2. ISTRUZIONI DI SICUREZZA

2.1 Installazione



AVVERTENZA!

L'installazione dell'apparecchiatura deve essere eseguita da personale qualificato.



AVVERTENZA!

Vi è il rischio di ferirsi o danneggiare l'apparecchiatura.

- Rimuovere tutti i materiali di imballaggio.
- Non installare o utilizzare l'apparecchiatura se è danneggiata.
- Attenersi alle istruzioni fornite insieme all'apparecchiatura.
- È necessario rispettare la distanza minima dalle altre apparecchiature.
- Prestare sempre attenzione in fase di spostamento dell'apparecchiatura, dato che è pesante. Usare sempre i guanti di sicurezza e le calzature adeguate.
- Proteggere le superfici di taglio con un materiale di tenuta per evitare che l'umidità causi dei rigonfiamenti.
- Proteggere la base dell'apparecchiatura da vapore e umidità.
- Non installare l'apparecchiatura accanto ad una porta o sotto una finestra, per evitare che pentole calde cadano dall'apparecchiatura quando la porta o la finestra sono aperte.
- Se l'apparecchiatura viene installata sopra dei cassetti, assicurarsi che lo spazio, tra la base dell'apparecchiatura e il cassetto superiore, sia sufficiente per il ricircolo d'aria.
- La base dell'apparecchiatura può surriscaldarsi. Verificare di installare un pannello di separazione in compensato, nel materiale della struttura della cucina o in altro materiale non infiammabile sotto

all'apparecchiatura al fine di evitare l'accesso dal basso.

2.2 Collegamento elettrico



AVVERTENZA!

Rischio di incendio e scossa elettrica.

- Tutti i collegamenti elettrici devono essere realizzati da un elettricista qualificato.
- L'apparecchiatura deve disporre di una messa a terra.
- Prima di qualsiasi intervento, è necessario verificare che l'apparecchiatura sia scollegata dalla rete elettrica.
- Verificare che i parametri sulla targhetta siano compatibili con le indicazioni elettriche dell'alimentazione.
- Verificare che l'apparecchiatura sia installata correttamente. L'allentamento di un collegamento elettrico o di una spina (ove previsti) può provocare il surriscaldamento del terminale.
- Utilizzare il cavo di alimentazione appropriato.
- Evitare che i collegamenti elettrici si aggroviglino.
- Assicurarsi che la protezione da scosse elettriche sia installata.
- Utilizzare il morsetto fermacavo sul cavo.
- Assicurarsi che il cavo di alimentazione o la spina (ove prevista) non sfiori l'apparecchiatura calda o pentole calde quando si collega l'apparecchiatura alle prese vicine.
- Non utilizzare prese multiple e prolunghie.
- Accertarsi di non danneggiare la spina o il cavo (ove previsti). Contattare il nostro Centro Assistenza autorizzato o un elettricista qualificato per sostituire un cavo danneggiato.
- I dispositivi di protezione da scosse elettriche devono essere fissati in

modo tale da non poter essere disattivati senza l'uso di attrezzi.

- Inserire la spina di alimentazione nella presa solo al termine dell'installazione. Verificare che la spina di alimentazione rimanga accessibile dopo l'installazione.
- Nel caso in cui la spina di corrente sia allentata, non collegarla alla presa.
- Non tirare il cavo di alimentazione per scollegare l'apparecchiatura. Tirare sempre dalla spina.
- Servirsi unicamente di dispositivi di isolamento adeguati: interruttori automatici, fusibili (quelli a tappo devono essere rimossi dal portafusibile), sganciatori per correnti di guasto a terra e relè.
- L'impianto elettrico deve essere dotato di un dispositivo di isolamento che consenta di scollegare l'apparecchiatura dalla presa di corrente a tutti i poli. Il dispositivo di isolamento deve avere una larghezza dell'apertura di contatto non inferiore ai 3 mm.

2.3 Utilizzo



AVVERTENZA!

Rischio di lesioni, ustioni o scosse elettriche.

- Rimuovere tutti i materiali di imballaggio, le etichette e la pellicola protettiva (ove presente) prima del primo utilizzo.
- Utilizzare l'apparecchiatura in un ambiente domestico.
- Non modificare le specifiche tecniche dell'apparecchiatura.
- Accertarsi che le fessure di ventilazione non siano ostruite.
- Non lasciare mai l'apparecchiatura incustodita durante il funzionamento.
- Spegnerne la zona di cottura dopo ogni utilizzo.
- Non appoggiare posate o coperchi sulle zone di cottura. Possono diventare roventi.
- Non mettere in funzione l'apparecchiatura con le mani umide o quando c'è un contatto con l'acqua.
- Non utilizzare l'apparecchiatura come superficie di lavoro o come piano di appoggio.

- Se la superficie dell'apparecchiatura presenta delle incrinature, scollegare immediatamente l'apparecchiatura dall'alimentazione. per evitare scosse elettriche.
- Un alimento immerso nell'olio molto caldo può provocare degli schizzi.



AVVERTENZA!

Pericolo di incendio ed esplosioni.

- Grassi e olio caldi possono rilasciare vapori infiammabili. Mantenere fiamme o oggetti caldi lontani da grassi e olio quando li si utilizza per cucinare.
- I vapori rilasciati da un olio molto caldo possono provocare una combustione spontanea.
- L'olio usato, che può contenere residui di cibo, può liberare delle fiamme ad una temperatura inferiore rispetto ad un olio utilizzato per la prima volta.
- Non appoggiare o tenere liquidi o materiali infiammabili, né oggetti facilmente incendiabili sull'apparecchiatura, al suo interno o nelle immediate vicinanze.



AVVERTENZA!

Vi è il rischio di danneggiare l'apparecchiatura.

- Non poggiare pentole calde sul pannello dei comandi.
- Non mettere coperchi caldi sulla superficie in vetro del piano cottura.
- Non esporre al calore pentole vuote.
- Fare attenzione a non lasciar cadere oggetti o pentole sull'apparecchiatura. La superficie si potrebbe danneggiare.
- Non mettere in funzione le zone di cottura in assenza di pentole o con pentole vuote.
- Non appoggiare la pellicola di alluminio direttamente sull'apparecchiatura.
- Lo spostamento di pentole in ghisa, in alluminio o con fondi danneggiati può graffiare il vetro o la vetroceramica. Per spostare questi oggetti sollevarli sempre dalla superficie di cottura.
- L'apparecchiatura è destinata solo alla cottura. Non deve essere

utilizzata per altri scopi, come per esempio il riscaldamento di un ambiente.

2.4 Manutenzione e pulizia

- Pulire regolarmente l'apparecchiatura per evitare il deterioramento dei materiali che compongono la superficie.
- Disattivare l'apparecchiatura e lasciarla raffreddare prima di procedere con la pulizia.
- Scollegare l'apparecchiatura dalla rete elettrica prima di eseguire le operazioni di manutenzione.
- Non nebulizzare acqua né utilizzare vapore per pulire l'apparecchiatura.
- Pulire l'apparecchiatura con un panno inumidito e morbido. Utilizzare solo detersivi neutri. Non usare prodotti abrasivi, spugnette abrasive, solventi od oggetti metallici.

3. INSTALLAZIONE



AVVERTENZA!

Fare riferimento ai capitoli sulla sicurezza.

3.1 Prima dell'installazione

Prima di installare il piano di cottura, annotare l'informazione riportata di seguito presente sulla targhetta dei dati. La targhetta dei dati è applicata sul lato inferiore del piano di cottura.

Numero di
serie

3.2 Piani di cottura da incasso

Utilizzare esclusivamente piani di cottura da incasso solo dopo l'installazione in

2.5 Smaltimento



AVVERTENZA!

Rischio di lesioni o soffocamento.

- Rivolgersi all'autorità municipale per informazioni su come smaltire correttamente l'elettrodomestico.
- Staccare la spina dall'alimentazione elettrica.
- Tagliare il cavo elettrico dell'apparecchiatura e smaltirlo.

2.6 Assistenza Tecnica

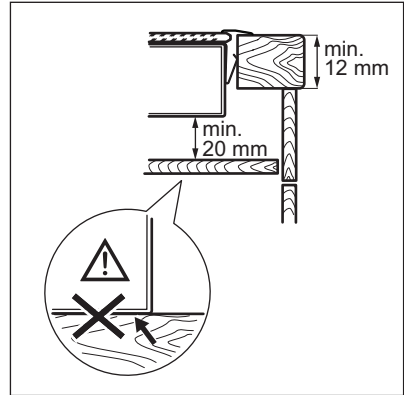
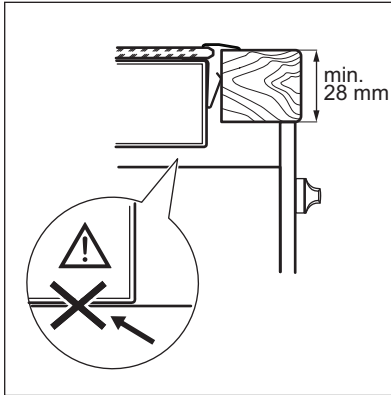
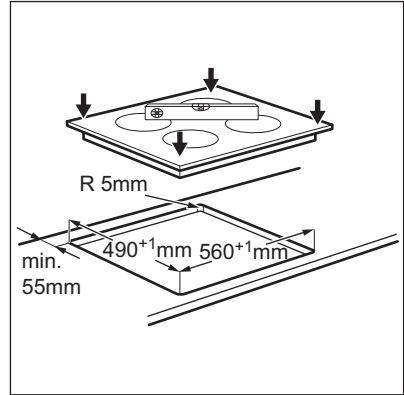
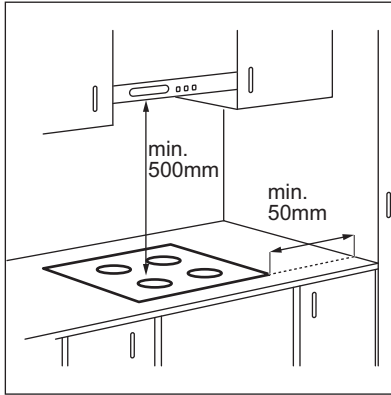
- Per riparare l'apparecchiatura contattare il Centro di Assistenza Autorizzato.
- Utilizzare esclusivamente ricambi originali.

idonei piani di lavoro e mobili da incasso conformi alle norme.

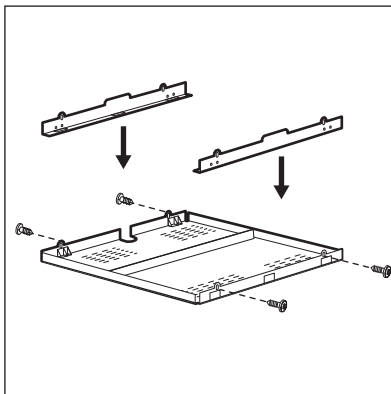
3.3 Cavo di collegamento

- Il piano di cottura è fornito con un cavo di collegamento.
- Per sostituire il cavo di alimentazione danneggiato, usare questo tipo di cavo: H05V2V2-F che supporta una temperatura di 90°C o superiore. Contattare il Centro di Assistenza locale.

3.4 Montaggio



3.5 Protezione da sovratensioni



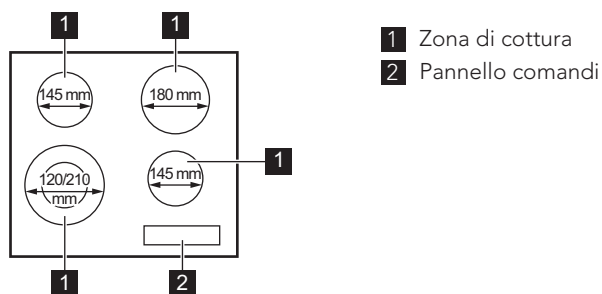
Se si utilizza una protezione da sovratensioni (accessorio aggiuntivo), il pavimento protettivo appena sotto al piano di cottura non è necessario. La protezione da sovratensioni accessoria potrebbe non essere disponibile in alcuni paesi. Contattare il proprio fornitore locale.



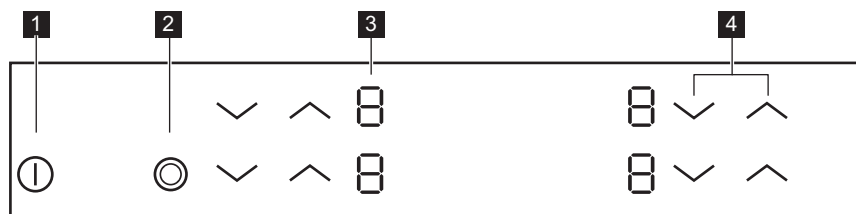
Non è possibile utilizzare la protezione da sovratensioni se l'apparecchiatura è installata su di un forno.

4. DESCRIZIONE DEL PRODOTTO

4.1 Disposizione della superficie di cottura



4.2 Disposizione del pannello dei comandi



Utilizzare i tasti sensore per mettere in funzione l'apparecchiatura. I display, gli indicatori ed i segnali acustici mostrano quali funzioni sono attive.

Tasto sensore	Funzione	Commento	
1	ⓘ	ON / OFF	Per attivare e disattivare il piano di cottura.
2	⊙	-	Per attivare e disattivare l'anello esterno.
3	-	Display livello di potenza	Per mostrare il livello di potenza.
4	^ / v	-	Per impostare un livello di potenza.

4.3 Display del livello di potenza

Display	Descrizione
⓪	La zona di cottura è disattivata.

Display	Descrizione
I - 9	La zona di cottura è in funzione.
E + numero	È presente un malfunzionamento.
H	Una zona di cottura è ancora calda (calore residuo).
L	Dispositivo di Sicurezza bambini è attiva.
-	Spegnimento automatico è attiva.

4.4 Spia del calore residuo



AVVERTENZA!

Il calore residuo può essere causa di ustioni.

5. UTILIZZO QUOTIDIANO



AVVERTENZA!

Fare riferimento ai capitoli sulla sicurezza.

5.1 Attivazione e disattivazione

Sfiorare per 1 secondo per accendere o spegnere il piano di cottura.

5.2 Spegnimento automatico

La funzione spegne automaticamente il piano di cottura se:

- tutte le zone di cottura sono disattivate,
- non è stato impostato il livello di potenza dopo l'accensione del piano di cottura,
- è stato versato qualcosa o appoggiato un oggetto sul pannello dei comandi per più di 10 secondi (un tegame, uno straccio, ecc.). Viene emesso un segnale acustico e il piano di cottura si disattiva. Rimuovere l'oggetto o pulire il pannello dei comandi.
- non è stata spenta una zona di cottura o non è stato modificato il livello di potenza. Dopo un tempo prestabilito,

si accende e il piano di cottura si spegne.

Rapporto tra livello di potenza e il tempo trascorso il quale si spegne il piano di cottura:

Livello di potenza	Il piano di cottura si disattiva dopo
1 - 2	6 ore
3 - 4	5 ore
5	4 ore
6 - 9	1,5 ora

5.3 Livello di potenza

Sfiorare per aumentare il livello di potenza. Sfiorare per ridurre il livello di potenza. Sfiorare contemporaneamente e per spegnere la zona di cottura.

5.4 Attivazione e disattivazione degli anelli esterni

È possibile regolare la superficie di cottura alle dimensioni delle pentole.



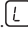

Utilizzare il tasto sensore: 





Per attivare l'anello esterno: sfiorare il tasto sensore. La spia si accende.

Per disattivare l'anello esterno: sfiorare il tasto sensore finché non si spegne la spia.





5.5 Dispositivo di Sicurezza bambini

Questa funzione impedisce l'azionamento accidentale del piano di cottura.

Per avviare la funzione: attivare il piano di cottura con . Non impostare nessun livello di potenza. Sfiore  le due zone di cottura anteriori contemporaneamente per 4 secondi.. si accende. Disattivare il piano di cottura con .

Per interrompere la funzione: attivare il piano di cottura con . Non impostare nessun livello di potenza. Sfiore  le due zone di cottura anteriori contemporaneamente per 4 secondi.. si accende. Disattivare il piano di cottura con .

Per sospendere/escludere la funzione per una sola sessione di cottura:

attivare il piano di cottura con .  si accende. Sfiore  le due zone di cottura anteriori contemporaneamente per 4 secondi.. **Impostare il livello di potenza entro 10 secondi.** È possibile mettere in funzione il piano di cottura. Quando si disattiva il piano di cottura con  la funzione si riattiva.

6. CONSIGLI E SUGGERIMENTI UTILI



AVVERTENZA!

Fare riferimento ai capitoli sulla sicurezza.

6.1 Pentole



Il fondo delle pentole dovrebbe essere il più possibile spesso e piano.



Le stoviglie in acciaio smaltato e con i basamenti in alluminio o rame possono subire perdite di colore sulla superficie in vetroceramica.

6.2 Esempi di impiego per la cottura



I dati riportati in tabella sono puramente indicativi.

Livello di potenza	Usare per:	Tempo (min.)	Suggerimenti
1	Tenere in caldo le pietanze cotte.	secondo necessità	Mettere un coperchio sulla pentola.
1 - 2	Salsa olandese, sciogliere: burro, cioccolata, gelatina.	5 - 25	Mescolare di tanto in tanto.

Livello di potenza	Usare per:	Tempo (min.)	Suggerimenti
1 - 2	Rassodare: omelette morbide, uova strapazzate.	10 - 40	Cucinare coprendo con un coperchio.
2 - 3	Cuocere riso e pietanze a base di latte, riscaldare pietanze pronte.	25 - 50	Aggiungere al riso almeno una doppia quantità di liquido, mescolare a metà del processo i preparati a base di latte.
3 - 4	Cuocere a vapore verdure, pesce, carne.	20 - 45	Aggiungere un paio di cucchiai di liquido.
4 - 5	Cuocere al vapore le patate.	20 - 60	Usare al max. ¼ l di acqua per 750 g di patate.
4 - 5	Bollire grandi quantità di alimenti, stufati e zuppe.	60 - 150	Fino a 3 l di liquido più gli ingredienti.
6 - 7	Cottura delicata: cotolette, cordon bleu, costolette, polpette, salsicce, fegato, roux, uova, frittelle, krapfen.	secondo necessità	Girare a metà tempo.
7 - 8	Frittura, frittelle di patate, lombrate, bistecche.	5 - 15	Girare a metà tempo.
9	Portare a ebollizione l'acqua, cuocere la pasta, rosolare la carne (gulasch, stufati), friggere patatine.		

7. PULIZIA E CURA



AVVERTENZA!

Fare riferimento ai capitoli sulla sicurezza.

7.1 Informazioni generali

- Pulire il piano di cottura dopo ogni impiego.
- Usare sempre pentole con il fondo pulito.
- I graffi o le macchie scure sulla superficie non compromettono il funzionamento del piano di cottura.
- Usare un prodotto di pulizia speciale adatto alla superficie del piano di cottura.
- Il vetro richiede l'uso di un raschietto speciale.

7.2 Pulizia del piano di cottura

- **Togliere immediatamente:** plastica fusa, pellicola in plastica, zucchero e alimenti contenenti zucchero. Se non vengono eliminati, potrebbero danneggiare il piano di cottura. Attenzione a evitare le ustioni. Appoggiare lo speciale raschietto sulla superficie in vetro, formando un angolo acuto, e spostare la lama sulla superficie.
- **Quando il piano di cottura è sufficientemente raffreddato, è possibile rimuovere:** i segni di calcare e d'acqua, le macchie di grasso e le macchie opalescenti. Pulire il piano di cottura con un panno umido e un detergente non abrasivo. Al termine della pulizia, asciugare il piano di cottura con un panno morbido.

- **Togliere macchie opalescenti:** usare una soluzione di acqua con aceto e pulire la superficie in vetro con un panno umido.


8. RISOLUZIONE DEI PROBLEMI








AVVERTENZA!

Fare riferimento ai capitoli sulla sicurezza.

8.1 Cosa fare se...

Problema	Possibile causa	Rimedio
Non è possibile attivare il piano di cottura o metterlo in funzione.	Il piano di cottura non è collegato a una fonte di alimentazione elettrica o non è collegato correttamente.	Accertarsi che il piano di cottura sia collegato correttamente alla rete elettrica. Fare riferimento allo schema di collegamento.
	È scattato il fusibile.	Verificare se l'anomalia di funzionamento è dovuta al fusibile. Nel caso in cui il fusibile continui a scattare, rivolgersi ad un elettricista qualificato.
		Accendere di nuovo il piano di cottura e impostare il livello di potenza in meno di 10 secondi.
	Sono stati sfiorati 2 o più tasti sensore contemporaneamente.	Sfiorare un tasto sensore alla volta.
	Il pannello dei comandi è bagnato o presenta macchie di unto.	Pulire il pannello dei comandi.
Viene emesso un segnale acustico e il piano di cottura si disattiva. Viene emesso un segnale acustico quando il piano di cottura non è attivo.	Uno o più tasti sensore sono stati coperti.	Rimuovere gli oggetti dai tasti sensore.
Il piano di cottura si disattiva.	È stato appoggiato un oggetto sul tasto sensore  .	Rimuovere l'oggetto dal tasto sensore.
L'indicatore di calore residuo non si accende.	La zona non è calda perché ha funzionato solo per brevissimo tempo.	Se la zona ha funzionato abbastanza a lungo da essere calda, contattare il Centro di Assistenza Autorizzato.

Problema	Possibile causa	Rimedio
Non è possibile attivare l'anello esterno.		Per prima cosa attivare l'anello interno.
 Sulla zona multipla è presente un'area scura.	È normale che sulla zona multipla sia presente un'area scura.	
I tasti sensore si surriscaldano.	Le pentole sono troppo grandi oppure sono state collocate troppo vicino ai comandi.	Se possibile, collocare le pentole grandi sulle zone posteriori.
Compare  .	Lo spegnimento automatico è in funzione.	Spegnere e riaccendere il piano di cottura.
Compare  .	La funzione di Sicurezza bambini entra in funzione.	Fare riferimento al capitolo "Utilizzo quotidiano".
 e un numero si accendono.	C'è un errore nel piano di cottura.	Scollegare per un certo periodo di tempo il piano di cottura dall'alimentazione elettrica. Scollegare il fusibile dall'impianto elettrico domestico. Ricollegarlo. Se  si accende di nuovo, rivolgersi al Centro di Assistenza Autorizzato.
E6 compare.	La seconda fase dell'alimentazione manca.	Accertarsi che il piano di cottura sia collegato correttamente alla rete elettrica. Togliere il fusibile, attendere un minuto, quindi inserire nuovamente il fusibile.

8.2 Se non è possibile trovare una soluzione...

Qualora non sia possibile trovare una soluzione al problema, contattare il rivenditore o il Centro di Assistenza Autorizzato. Fornire i dati riportati sulla targhetta dei dati. Fornire inoltre il codice a tre lettere per il piano in vetroceramica (si trova nell'angolo del piano cottura) e il messaggio di errore visualizzato. Assicurarsi di aver acceso il

piano di cottura correttamente. In caso di azionamento errato dell'apparecchiatura, l'intervento del tecnico del Centro di Assistenza o del rivenditore potrà essere effettuato a pagamento anche durante il periodo di garanzia. Le istruzioni relative al Centro di Assistenza e alle condizioni di garanzia sono contenute nel libretto della garanzia.

9. DATI TECNICI

9.1 Targhetta dei dati

Modello HK624010XB
 Tipo 60 HAD 03 AO

PNC 949 492 128 01
 220 - 240 V 50 - 60 Hz
 Prodotto in Romania
 6,4 kW

Numero di serie.....
 AEG



9.2 Caratteristiche tecniche zone di cottura

Zona di cottura	Potenza nominale (impostazione di calore massima) [W]	Diametro della zona di cottura [mm]
Anteriore sinistra	750 / 2200	120 / 210
Posteriore sinistra	1200	145
Anteriore destra	1200	145
Posteriore destra	1800	180

Per risultati di cottura ottimali, utilizzare pentole con un diametro non superiore alla zona di cottura.

10. EFFICIENZA ENERGETICA

10.1 Informazioni sul prodotto conformi a EU 66/2014

Identificativo modello	HK624010XB	
Tipo di piano di cottura	Piano di cottura da incasso	
Numero di zone di cottura	4	
Tecnologia di calore	Riscaldatore radiante	
Diametro delle zone di cottura circolari (Ø)	Anteriore sinistra	21,0 cm
	Posteriore sinistra	14,5 cm
	Anteriore destra	14,5 cm
	Posteriore destra	18,0 cm
Consumo di energia per zona di cottura (EC electric cooking)	Anteriore sinistra	200,1 Wh / kg
	Posteriore sinistra	188,0 Wh / kg
	Anteriore destra	188,0 Wh / kg
	Posteriore destra	191,6 Wh / kg

Consumo di energia del piano di cottura (EC electric hob)

191,9 Wh / kg

EN 60350-2 - Apparecchiature elettriche per la cottura per uso domestico - Parte 2: Piani di cottura - Metodi per la misurazione delle prestazioni


10.2 Risparmio energetico


È possibile risparmiare energia quotidianamente durante la cottura seguendo i suggerimenti che seguono.

- Quando si riscalda l'acqua, utilizzare solo la quantità necessaria.

- Se possibile, coprire sempre le pentole con il coperchio.
- Prima di attivare la zona di cottura, sistemare la pentola.
- Il fondo della pentola deve avere lo stesso diametro della zona di cottura.
- Sistemare le pentole più piccole sulle zone di cottura più piccole.
- Posizionare le pentole direttamente al centro della zona di cottura.
- Utilizzare il calore residuo per mantenere caldi i cibi o fonderli.

11. CONSIDERAZIONI SULL'AMBIENTE

Riciclare i materiali con il simbolo . Buttare l'imballaggio negli appositi contenitori per il riciclaggio. Aiutare a proteggere l'ambiente e la salute umana e a riciclare rifiuti derivanti da apparecchiature elettriche ed elettroniche. Non smaltire le

apparecchiature che riportano il simbolo  insieme ai normali rifiuti domestici. Portare il prodotto al punto di riciclaggio più vicino o contattare il comune di residenza.

www.aeg.com/shop



867333423-B-052019



AEG