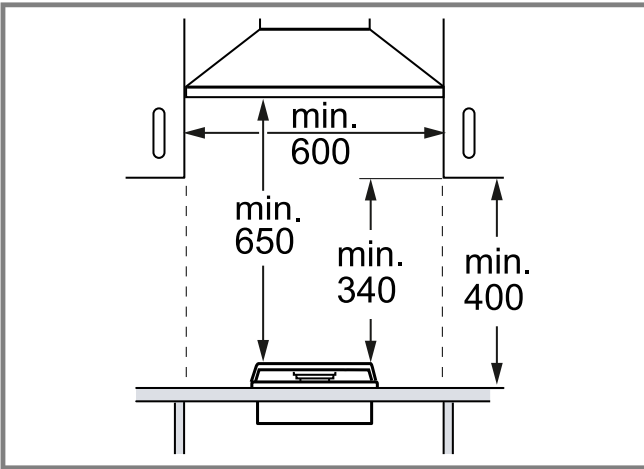
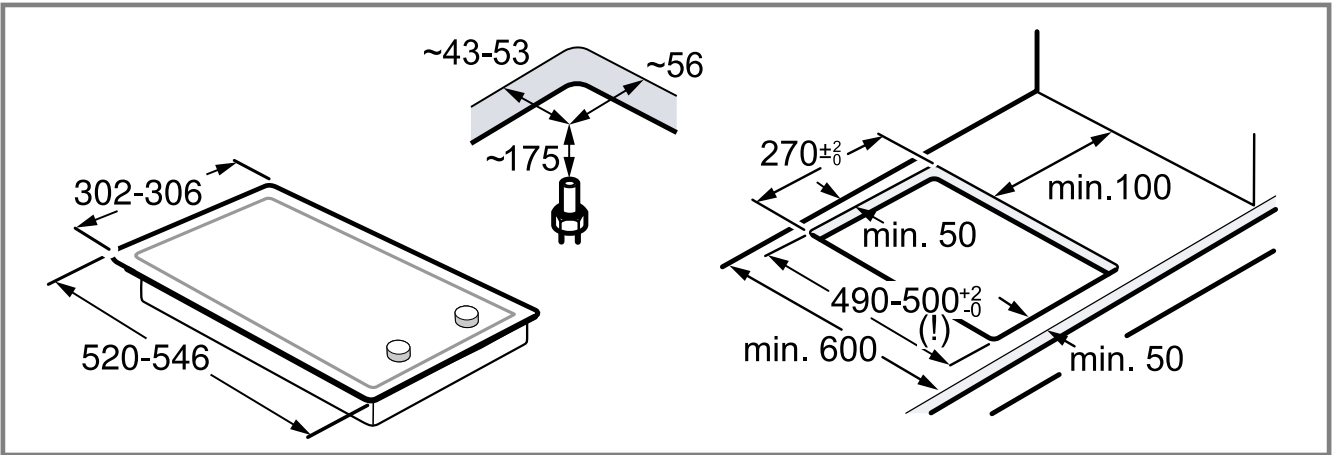




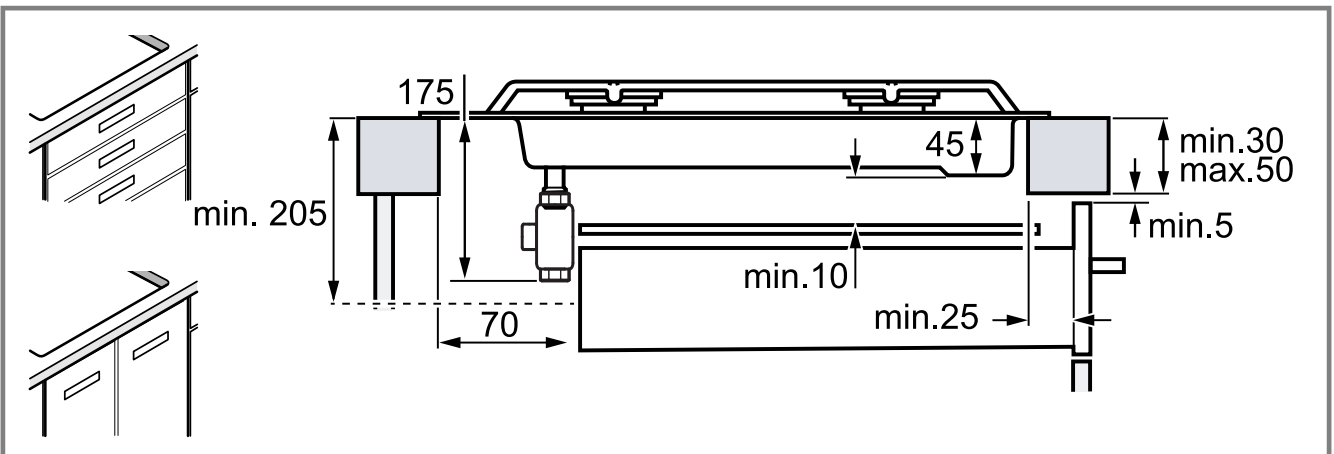
en Installation instructions  
zh-hk 安裝說明



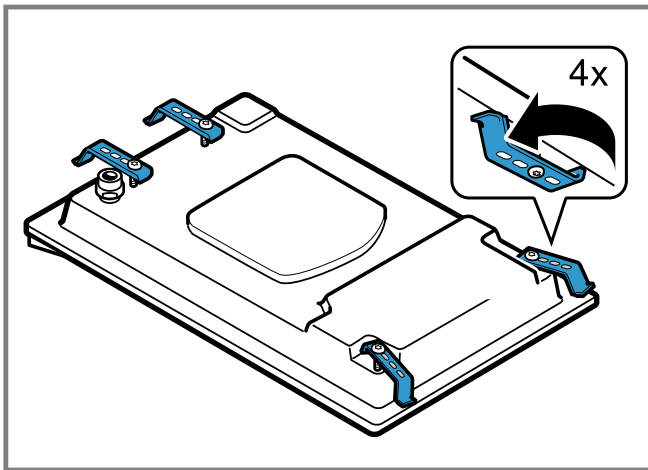
1



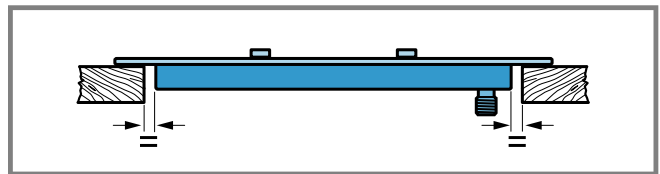
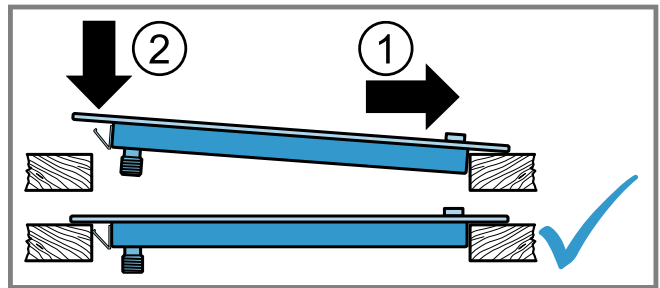
2



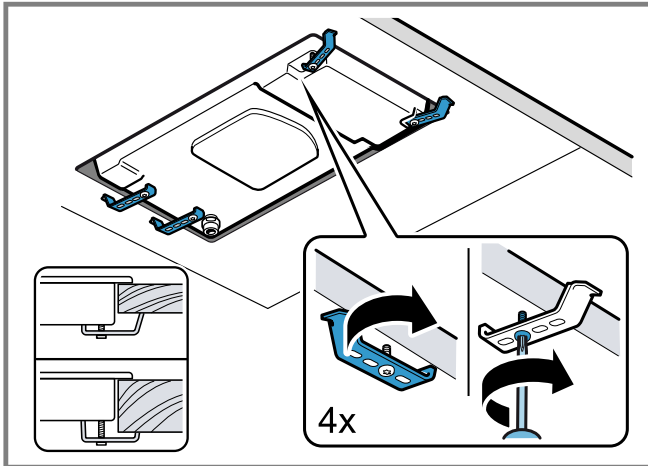
3



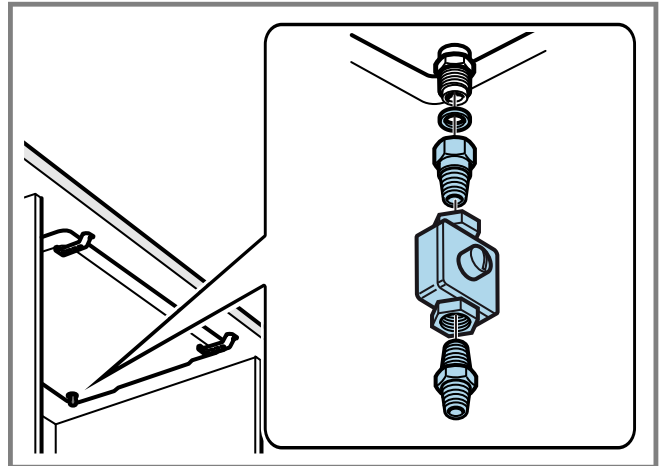
4



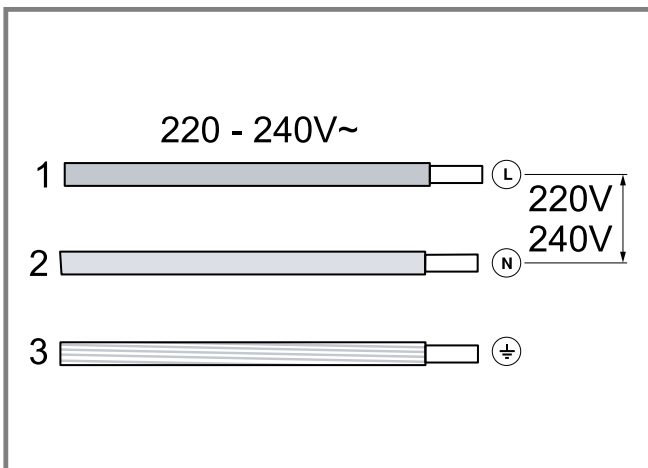
5



6



7



8

en

### Safe installation

Follow these safety instructions when installing the appliance.

- Read this instruction manual carefully.
- The images shown in these instructions are for guidance only.
- The appliance can only be used safely if it is correctly installed according to the safety instructions. The installer is responsible for ensuring that the appliance works perfectly at its installation location.

- Ensure that the kitchen is sufficiently ventilated, in particular when operating the gas cooking appliance.
- Do not connect the appliance to an exhaust gas system for combustion products.
- Never install the appliance in boats or in vehicles.
- The warranty applies only when using the appliance as intended.

- Before installing the appliance, check that the local conditions of the supplier are compatible with the appliance settings specified on the rating plate (type of gas and pressure, power, voltage).
- Secure the power cord to the cabinet to prevent it from touching hot parts of the oven or hob.
- Before any work is carried out on the appliance, switch off the power supply and the gas supply.
- Connect the appliance to the power supply using the earth.
- Do not make any changes to the inside of the appliance. If required, contact our technical customer service.

### Hong Kong town gas connection

External Gas Governor Maxitrol RV47LM-Rp 1/2", provided with the appliance, must be installed.

#### Attention

According to the Gas Safety Ordinance of Hong Kong, any gas installation works including the installation of appliances and connection tubing, must be undertaken by registered gas installers who are registered for that appropriate classes and be employed by registered gas contractors, respecting all applicable regulations, standards and the specifications of the local gas and electricity suppliers. Special attention shall be paid to ventilation regulations. Use approved gas tubing bearing EMSD approval marking (such as: 機電工程署批准EMSD APPROVAL GTXXXX) for connection to appliances, or other appropriate methods accepted by EMSD.

#### Before installing

- This appliance can be combined with other hobs of the same brand by using the connection accessory. See catalogue.
- The unit in which the appliance is installed must be stable and secured appropriately.
- The units in the vicinity of the appliance, the laminated panels and the adhesive with which they are secured must be made of non-flammable, heat-resistant materials.
- Do not install this appliance above refrigerators, washing machines, dishwashers or similar.
- The appliance must only be installed on an oven with forced ventilation. Check the dimensions of the oven in the installation instructions for the oven.
- If you install an oven underneath the hob, the work surface thickness may differ from the dimensions given in these instructions. Take note of the information in the oven installation instructions.
- If you install an exhaust air fan or an extractor hood, refer to the installation instructions for these. Always observe the minimum vertical distance to the hob.

→ Fig. 11

#### Preparing the units

- Make a cut-out in the worktop with the required dimensions.
  - In recesses of 500 mm, the appliance must be installed on the front edge of the recess. → "Positioning the appliance", Page 3
- Fig. 2

- Seal the cut surfaces of wooden work surfaces with a special glue seal to protect them from moisture.
- If there is no built-in oven underneath the hob, insert a non-flammable separator (e.g. metal or plywood) at a distance of 10 mm from the hob. This prevents access to the underside of the hob. The distance from the intermediate floor to the mains connection for the appliance must be at least 10 mm.

→ Fig. 3

#### Positioning the appliance

**Note:** Do not remove the adhesive seal fitted on the lower edge of the hob. The adhesive seal prevents the penetration of liquids.

Do not use silicone to bond the appliance to the worktop.

1. Position the hob with the upper side facing down on a flat, stable surface.
2. Loosen the screws on the brackets so they can turn freely. You do not need to fully undo the screws on the brackets.  
→ Fig. 4
3. Turn the hob around and insert it into the recess. Insert the hob in the front of the recess.  
→ Fig. 5
4. Turn the brackets and tighten them fully.  
→ Fig. 6  
The position of the brackets depends on the worktop thickness.

#### Removing the appliance

1. Disconnect the appliance from the electricity and gas connections.
2. Unscrew the brackets and proceed in reverse order.

#### Connecting the gas

Observe the country-specific guidelines.

#### ⚠ CAUTION – Risk of explosion!

A gas leakage may cause an explosion.

- ▶ If any connection is handled, check the seal.
- Arrange the gas connection so that the shut-off valve is accessible.
- Ensure that the information on the rating plate regarding the gas type and gas pressure complies with the local connection conditions.
- Connect the appliance to a fixed gas pipe or a flexible metal pipe.
- The flexible metal pipe must not come into contact with the moving parts of the unit in which the appliance is installed (e.g. a drawer) and must not be routed through any spaces which might become obstructed.
- Gas connection on the appliance: G 1/2.

#### Hong Kong town gas connection

External Gas Governor Maxitrol RV47LM-Rp 1/2", provided with the appliance, must be installed.

Model	Working pressure
PRA3A6B70X ER3A6AB70X	11 mbar
PRB3A6B70X PRB3B6B70X ER3A6BB70X ER3B6BB70X	8 mbar

#### Spare parts for gas connection

You can obtain the gas connection parts from the technical customer service.

## Gas connection R 1/2

→ Fig. 7

## Electrical connection

- This appliance is type Y: The connection cable must only be replaced by technical customer service and not by the user. The cable type and the minimum cross section must be respected.
- The hobs are supplied with a power cord with or without a plug.
- Only connect appliances that are fitted with a plug to a correctly installed socket with protective earth conductor.
- If the plug is not accessible to the user, an all-pole isolating safety switch with a minimum contact opening of 3 mm must be provided.

→ Fig. 8

zh-hk

## 安全安裝

安裝本電器時，請注意此安全提示說明。

- 請仔細閱讀本說明書。
- 在安裝說明上的圖像僅供參考用。
- 只有依照安裝說明書正確完成安裝，才能確保使用安全。安裝人員需全權負責讓裝置在架設地點上正常運作。
- 請注意廚房需通風充分，特別是在使用氣體爐具時。
- 請勿將本爐具與燃燒產物的排氣系統連接。
- 請勿將本爐具安裝在船上或車輛上。
- 保養僅適用於依規定使用本爐具的情況。
- 安裝爐具前請檢查，安裝位置的當地供應系統條件是否與規格銘板上指定的爐具設定相容（氣體類型和壓力、功率、電壓）。
- 將電源線固定在櫃子上，以避免其碰觸到烤箱或爐具的高溫部件。
- 在本爐具進行任何作業前，請關閉電源供應和氣體供應。
- 將爐具與有接地的電源供應器連接。
- 請勿在本爐具內部進行改裝。若有需求，請洽詢本公司技術客戶服務。

## 香港煤氣接駁

接駁煤氣時須加上外置氣體穩壓器Maxitrol(型號RV47LM-Rp 1/2")。

### 注意

根據香港氣體安全條例，任何氣體裝置工程，包括爐具和接駁喉管的安裝，必須由註冊氣體裝置技工執行，而該技工已於相關的氣體工程類別註冊及受聘於註冊氣體工程承辦商，並遵守當地氣體和電力供應商所有適用的規定、標準和規範。需特別注意通風規範。使用認可印有機電工程署批准標記（例如：機電工程署批准EMSD APPROVAL GTXXXX）的氣體接駁喉管連接爐具，或使用機電工程署接納的其他恰當方法。

## 安裝前

- 本爐具可利用連接配件與同品牌的其他爐具結合。請參閱產品目錄。
- 要裝入本爐具的家具必須採取適當的固定措施，確保其穩固性。
- 本爐具附近的家具、層壓板和用來固定家具和層壓板的黏著劑必須是不可燃且耐高溫的材質所製。
- 請勿將本爐具安裝在冰箱、洗衣機、洗碗機或類似設備上。

- 本爐具僅能安裝在配備排氣系統的烤箱上。請檢查烤箱安裝說明書中的烤箱尺寸。
- 若在本爐具下方安裝烤箱，工作檯的厚度可能會與本說明書中的尺寸說明不同。請遵循烤箱安裝說明書的提示說明。
- 若要安裝排氣風扇或抽油煙機，請遵循其安裝說明。請務必注意與爐具的最小垂直距離。

→ 圖 9

## 家具的準備作業

- 在工作檯上鋸出所需尺寸的開口。
  - 完成500厘米的切口後，務必將本爐具安裝在切口前緣的位置。→ 「放置電器」，頁次4
- 圖 10
- 使用特殊黏著劑密封木質工作檯的切割面，以確保防潮。
  - 爐具下方若無嵌入式烤箱，請在爐具下方相距10厘米處放入一個不可燃材質製（例如：金屬或膠合板）的墊板。藉此防止任何從爐具底部接觸到爐具的可能性。夾板與本爐具電源連接的距離必須至少為10厘米。

→ 圖 11

## 放置電器

備註 請勿拆除安裝在爐具下緣上的黏性密封條。該黏性密封條可防止液體進入。請勿使用矽利康將本爐具黏在工作檯上。

1. 將爐具以頂部朝下的方式放置在光滑且穩固的底墊上。
2. 鬆開夾子的螺絲，直到其可自由轉動。夾子的螺絲無須完全鬆開。  
→ 圖 12
3. 將爐具翻轉過來，然後裝入開口內。將爐具往開口前側方向安裝。  
→ 圖 13
4. 轉動並鎖緊夾子。  
→ 圖 14  
夾子的位置視工作檯的厚度而定。

## 拆卸電器

1. 將本爐具從電源或氣體連接斷開。
2. 鬆開夾子的螺絲，然後以相反順序進行操作。

## 連接煤氣

請遵守各國法規。

### 小心 – 爆炸風險!

煤氣洩漏可能導致爆炸。

- ▶ 在接口上作業後，請務必檢查其密封性。
- 配置煤氣接口位置時請確認是否可輕易接觸到截止閥。
- 請確認，規格銘板上的氣體類型和氣體壓力規格與當地連接條件相符。
- 請將本爐具連接在堅固的煤氣管道上。
- 氣體管道不得接觸到裝有本爐具的家具活動組件（例如：抽屜），也不得位於可能會被阻擋到的區域。
- 本爐具上的氣體接頭：G 1/2。

## 香港煤氣接駁

接駁煤氣時須加上隨機附上的外置氣體穩壓器Maxitrol(型號RV47LM-Rp 1/2")。

型號	操作氣壓
PRA3A6B70X ER3A6AB70X	11毫巴
PRB3A6B70X PRB3B6B70X ER3A6BB70X ER3B6BB70X	8毫巴

## 氣體接頭的備件

氣體接頭的部件請聯絡客戶服務中心。

## 氣體接頭R 1/2

→  7

### 電源連接

- 本電器屬於Y類型：電源線不得由使用者更換，只可由技術客戶服務更換。請注意電線類型和最小橫截面。
- 本爐具出貨時隨附備有插頭或無插頭的電源線。
- 僅將配備插頭的爐具連接到具備正確安裝之保護接地的插座上。
- 使用者若無法接觸到該插頭，則設置一個3厘米最小觸點開口的全極斷路器。

→  8





